

[Product Catalog for Electronics Manufacturing](#) > [3M™ Telecommunications OEM Center](#) . . . [3M™ .100" x .100" Polarized Wiremount Socket, CHG Series](#) > [3M™ .100" x .100" Polarized Wiremount Socket, 50 Contacts, CHG-2050 Series](#) >

 [Printer-friendly format](#) **3M™ .100 in. Wiremount Socket, 2-Row, Polarized Body, 50 Contacts, CHG-2050-J01010-KEP**

.100" x .100" Two Row for .100" Pitch Notched or Discrete Wire Cable, Polarization option with centerbump (standard), Wire size options 22 AWG stranded and 24 AWG solid or stranded, Plating wipe area: Gold.

3M Id : 80-6104-1064-1

▼ Electronics

Manufacturing

▼ Product Catalog for Electronics Manufacturing

- 3M™ Bonding Tapes & Adhesives
- 3M™ Electronic Solutions Products
- 3M™ Electronic Specialty Markets
- 3M™ Insulation & Protection
- 3M™ Interconnect Solutions
- 3M™ Personal Safety Products
- 3M™ Tapes
- 3M™ Telecommunications OEM Center
- Electronic Materials

# 3M™ Polarized Wiremount Socket

.100" × .100" 2 row for .100" Pitch Notched Flat Cable or Discrete Wire

CHG Series



- Military/DIN 41612 compatibility
- Two row, polarized body
- Mates to 3M long latch/eject headers and plugs
- 12 standard sizes, 10-64 positions
- Twin slot IDC provides four points of contact
- Exclusive L/H 4-wipe contact
- 3435-0 keying plug is optional - order separately
- Accepts discrete wire or notched ribbon cable
- See Regulatory Information Appendix (RIA) for chemical compliance information

Date Modified: July 19, 2007

TS-0192-B  
Sheet 1 of 2

---

## Physical

### Insulation

Material: Glass Filled Polyester (PBT)

Flammability: UL 94V-0

Color: Gray

### Contact

Material: Copper Alloy

### Plating:

Option P

First Wipe Area: 30 μ" [ 0.76 μm ] Gold

Second Wipe Area,

Underplating and U-Slot: 100 μ" [ 2.54 μm ] Nickel

Wire Accommodation: See Ordering Information for Options

Marking: 3M Logo and Orientation Triangle

---

## Electrical

**Current Rating:** 22-24 AWG: 2 A; 26-28 AWG: 1.5 A

**Insulation Resistance:**  $> 1 \times 10^9 \Omega$  at 500 V<sub>DC</sub>

**Withstanding Voltage:** 1000 V<sub>RMS</sub> at Sea Level

---

## Environmental

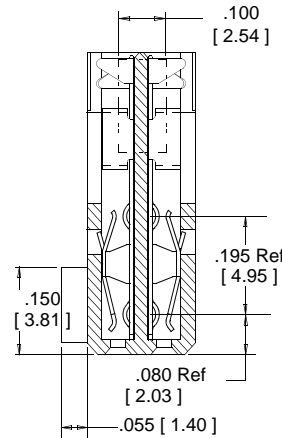
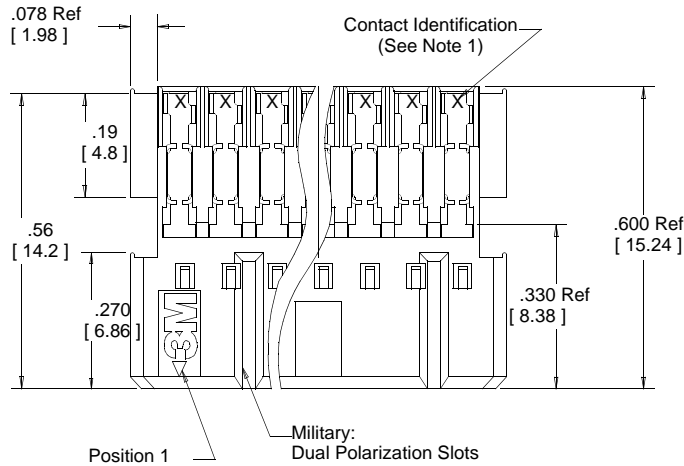
**Temperature Rating:** -55°C to +105°C

UL File No.: E68080

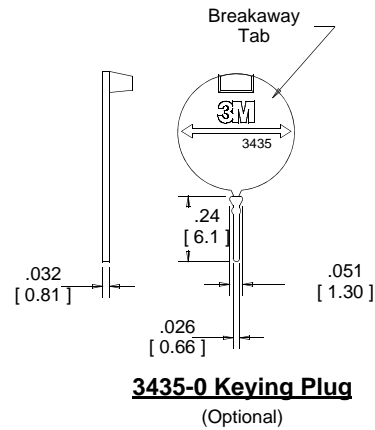
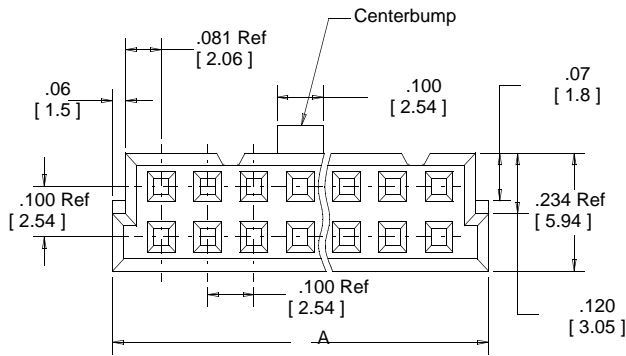
# 3M™ Polarized Wiremount Socket

.100" × .100" 2 row for .100" Pitch Notched Flat Cable or Discrete Wire

CHG Series



Contact Quantity	Dimension A ± .006 [ ± 0.15 ]
10	0.680 [ 17.27 ]
14	0.880 [ 22.35 ]
16	0.980 [ 24.89 ]
20	1.180 [ 29.97 ]
24	1.380 [ 35.05 ]
26	1.480 [ 37.59 ]
30	1.680 [ 42.68 ]
34	1.880 [ 47.75 ]
40	2.180 [ 55.37 ]
50	2.680 [ 68.07 ]
60	3.180 [ 80.77 ]
64	3.380 [ 85.85 ]



**Notes:**

- Contact Wire size Identification:  
"6" - 26 and 28 AWG  
"2" - 22 and 24 AWG
- Insulation O.D. = .054 [ 1.37 ] Max
- Recommended to be mated to a .100" x .100" Pin Strip Header with either a .235" [ 5.97 ] or a .318" [ 8.08 ] mating pin length: 929 Series, 2400 Series and 2300 Series.
- Other sizes, polarizations and plating options are available as a special order. Higher minimum quantities and lead times will apply.

Inch [mm]			
Tolerance Unless Noted			
	.0	.00	.000
inch	±.1	±.01	±.005

[ ] Dimensions for Reference Only



## Ordering Information

**CHG-20XX-X01010-KXX**

Contact Quantity:  
See Table

Polarization Options:  
J = with Centerbump (Standard)  
S = without Centerbump (Special Order)

Wire Size Options:  
C = 26 and 28 AWG Solid and Stranded  
E = 22 AWG Stranded and 24 AWG Solid or Stranded

\*Plating Options:  
P = Gold (RIA E1 and C1 apply)

Application Tools: For discrete wire: 3586-12 Pistol Grip and 3624-42 Assembly.  
For notched flat cable: 3335 Press (or equivalent), 3739-CHGA locator plate.

TS-0192-B  
Sheet 2 of 2