

Series image - Reference only

EU RoHS

China RoHS

ELV and RoHS Compliant



Duration at Max. Process Temperature (seconds)

5

Lead-free Process Capability

SMC & Wave Capable (TH only)

Max. Cycles at Max. Process Temperature

1

Process Temperature max. C

260

Search Parts in this Series

[70280 Series](#)

Part Number: 0010897142

Status: Active

Description: 2.54mm (.100") Pitch C-Grid Breakaway Header, Dual Row, Vertical, High Temperature, 14 Circuits, 0.38 μ m (15 μ) Gold (Au) Selective Plating, Tin (Sn) PC Tail Plating, 2.72mm (.107") PC Tail

Documents:

- [Drawing \(PDF\)](#)
- [Product Specification PS-70280 \(PDF\)](#)
- [3D Model](#)
- [Related Catalog Page \(PDF\)](#)

Order Products:

- [Check Distributor Inventory](#)
- [Request Samples](#)

Part Detail: [\(show all\)](#)

General

Physical

Electrical

Material Info

Reference - Drawing Numbers

General

Product Family	PCB Headers
Series	<u>70280</u>
Application	Board-to-Board
Application	Wire-to-Board
Product Name	C-Grid®

Physical

Breakaway	Yes
Circuits (Loaded)	14
Circuits (maximum)	14
Color - Resin	Black
Durability (mating cycles) min	50 cycles
First Mate / Last Break	No
Flammability	94V-0
Guide to Mating Part	No
Keying to mating part	None
Lock to Mating Part	None
Material - Metal	Brass
Material - Plating Mating	Gold
Material - Plating Termination	Tin
Material - Resin	High Temperature Thermoplastic
Number of Rows	2
Orientation	Vertical
PC Tail Length (in)	0.110 In
PC Tail Length (mm)	2.79 mm
PCB Locator	No
PCB Retention	None
PCB Thickness Recommended (in)	0.062 In
PCB Thickness Recommended (mm)	1.60 mm
Packaging Type	Bag
Pitch - Mating Interface (in)	0.100 In
Pitch - Mating Interface (mm)	2.54 mm
Plating min: Mating (uin)	15.2
Plating min: Mating (um)	0.38

Plating min: Termination (uin)	80
Plating min: Termination (um)	2
Polarized to Mating Part	No
Polarized to PCB	No
Robotic Placement	None
Shrouded	No
Stackable	Yes
Temperature Range - Operating	-40°C to +105°C
Termination Interface: Style	Through Hole

Electrical

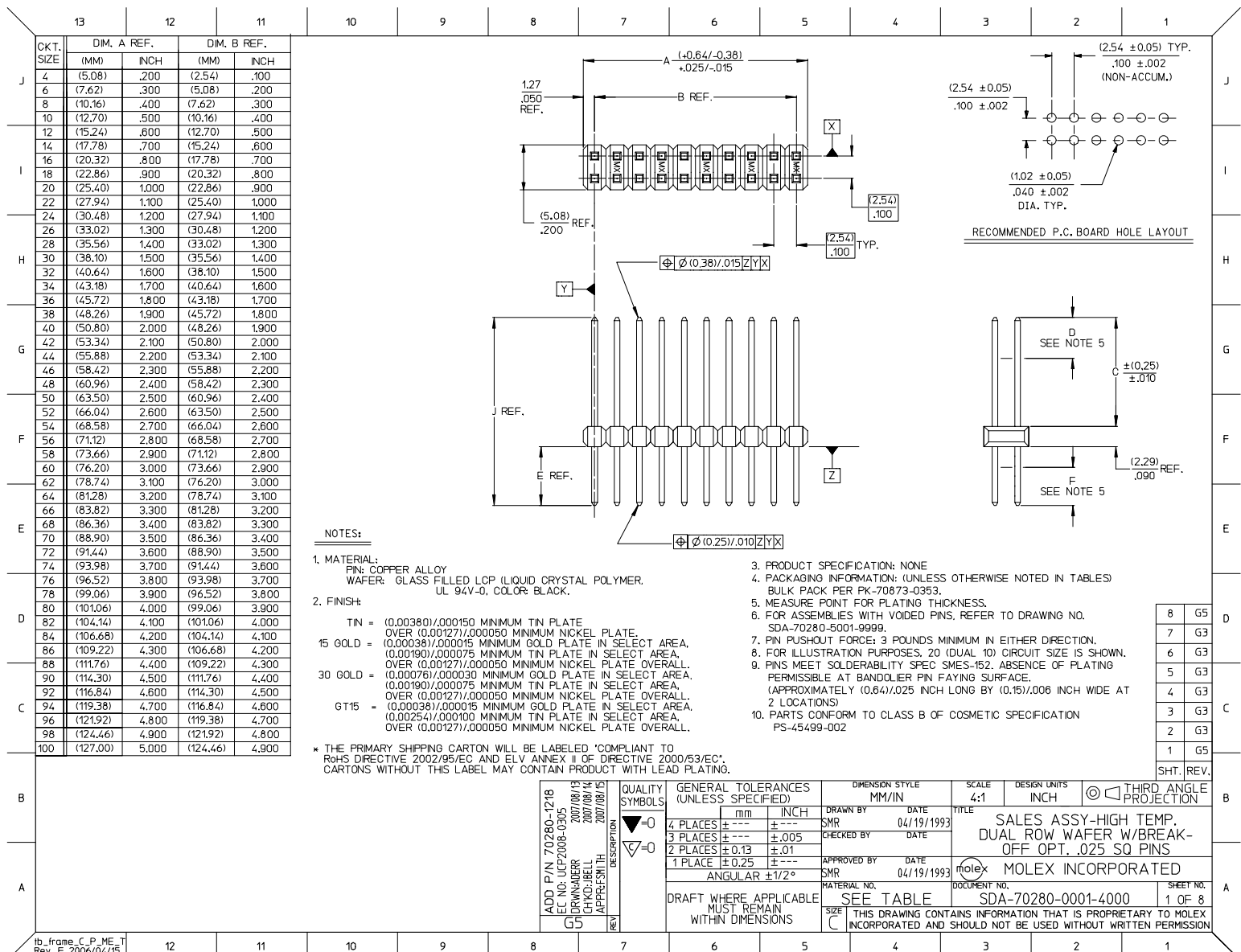
CSA	LR19980
Current - Maximum	3.000 Amp
UL	E29179
Voltage - Maximum	250V

Material Info

Old Part Number	70280-0047
-----------------	------------

Reference - Drawing Numbers

Product Specification	PS-70280
Sales Drawing	SDA-70280-0001-4000



NOTES:

- MATERIAL:
PIN: COPPER ALLOY
WAFER: GLASS FILLED LCP (LIQUID CRYSTAL POLYMER, UL 94V-0, COLOR: BLACK.
- FINISH:
TIN = (0.00380)/.000150 MINIMUM TIN PLATE OVER (0.00127)/.000050 MINIMUM NICKEL PLATE.
15 GOLD = (0.00190)/.000075 MINIMUM GOLD PLATE IN SELECT AREA, OVER (0.00127)/.000050 MINIMUM NICKEL PLATE OVERALL.
30 GOLD = (0.00076)/.000030 MINIMUM GOLD PLATE IN SELECT AREA, OVER (0.00190)/.000075 MINIMUM TIN PLATE IN SELECT AREA, OVER (0.00127)/.000050 MINIMUM NICKEL PLATE OVERALL.
GT15 = (0.00038)/.000015 MINIMUM GOLD PLATE IN SELECT AREA, OVER (0.00254)/.000100 MINIMUM TIN PLATE IN SELECT AREA, OVER (0.00127)/.000050 MINIMUM NICKEL PLATE OVERALL.
- PRODUCT SPECIFICATION: NONE
- PACKAGING INFORMATION: (UNLESS OTHERWISE NOTED IN TABLES) BULK PACK PER PK-70873-0353.
- MEASURE POINT FOR PLATING THICKNESS.
- FOR ASSEMBLIES WITH VOIDED PINS, REFER TO DRAWING NO. SDA-70280-5001-9999.
- PIN PUSHOUT FORCE: 3 POUNDS MINIMUM IN EITHER DIRECTION.
- FOR ILLUSTRATION PURPOSES, 20 (DUAL 10) CIRCUIT SIZE IS SHOWN.
- PINS MEET SOLDERABILITY SPEC SMES-152. ABSENCE OF PLATING PERMISSIBLE AT BANDOLIER PIN FAYING SURFACE. (APPROXIMATELY (0.64)/.025 INCH LONG BY (0.15)/.006 INCH WIDE AT 2 LOCATIONS)
- PARTS CONFORM TO CLASS B OF COSMETIC SPECIFICATION PS-45499-002

* THE PRIMARY SHIPPING CARTON WILL BE LABELED 'COMPLIANT TO RoHS DIRECTIVE 2002/95/EC AND ELV ANNEX II OF DIRECTIVE 2000/53/EC'. CARTONS WITHOUT THIS LABEL MAY CONTAIN PRODUCT WITH LEAD PLATING.

CKT. SIZE	DIM. A REF.		DIM. B REF.	
	(MM)	(INCH)	(MM)	(INCH)
J	4	(5.08)	.200	(2.54)
	6	(7.62)	.300	(5.08)
	8	(10.16)	.400	(7.62)
	10	(12.70)	.500	(10.16)
	12	(15.24)	.600	(12.70)
	14	(17.78)	.700	(15.24)
I	16	(20.32)	.800	(17.78)
	18	(22.86)	.900	(20.32)
	20	(25.40)	1.000	(22.86)
	22	(27.94)	1.100	(25.40)
	24	(30.48)	1.200	(27.94)
	26	(33.02)	1.300	(30.48)
	28	(35.56)	1.400	(33.02)
H	30	(38.10)	1.500	(35.56)
	32	(40.64)	1.600	(38.10)
	34	(43.18)	1.700	(40.64)
	36	(45.72)	1.800	(43.18)
	38	(48.26)	1.900	(45.72)
	40	(50.80)	2.000	(48.26)
G	42	(53.34)	2.100	(50.80)
	44	(55.88)	2.200	(53.34)
	46	(58.42)	2.300	(55.88)
	48	(60.96)	2.400	(58.42)
	50	(63.50)	2.500	(60.96)
	52	(66.04)	2.600	(63.50)
F	54	(68.58)	2.700	(66.04)
	56	(71.12)	2.800	(68.58)
	58	(73.66)	2.900	(71.12)
	60	(76.20)	3.000	(73.66)
	62	(78.74)	3.100	(76.20)
	64	(81.28)	3.200	(78.74)
E	66	(83.82)	3.300	(81.28)
	68	(86.36)	3.400	(83.82)
	70	(88.90)	3.500	(86.36)
	72	(91.44)	3.600	(88.90)
	74	(93.98)	3.700	(91.44)
	76	(96.52)	3.800	(93.98)
D	78	(99.06)	3.900	(96.52)
	80	(101.60)	4.000	(99.06)
	82	(104.14)	4.100	(101.60)
	84	(106.68)	4.200	(104.14)
	86	(109.22)	4.300	(106.68)
	88	(111.76)	4.400	(109.22)
	90	(114.30)	4.500	(111.76)
C	92	(116.84)	4.600	(114.30)
	94	(119.38)	4.700	(116.84)
	96	(121.92)	4.800	(119.38)
	98	(124.46)	4.900	(121.92)
	100	(127.00)	5.000	(124.46)

8	G5
7	G3
6	G3
5	G3
4	G3
3	G3
2	G3
1	G5

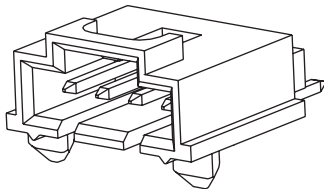
ADD P/N 70280-1218 EC NO: UCP2008-0305 DRAWN BY: G5 CHKD BY: JEBELL APPROVED BY: JEBELL REV: G5	QUALITY SYMBOLS ▽=0 ▽=0	GENERAL TOLERANCES (UNLESS SPECIFIED)	DIMENSION STYLE	SCALE	DESIGN UNITS	THIRD ANGLE PROJECTION
		4 PLACES ± --- ± --- 3 PLACES ± --- ± .005 2 PLACES ± .13 ± .01 1 PLACE ± 0.25 ± --- ANGULAR ±1/2°	MM/IN	4:1	INCH	☉
DRAWN BY: SMR DATE: 04/19/1993		CHECKED BY: DATE:		TITLE: SALES ASSY-HIGH TEMP. DUAL ROW WAFER W/BREAK-OFF OPT. .025 SQ PINS		
APPROVED BY: SMR DATE: 04/19/1993		MATERIAL NO.:		DOCUMENT NO.:		SHEET NO.:
DRAFT WHERE APPLICABLE MUST REMAIN WITHIN DIMENSIONS		SEE TABLE		SDA-70280-0001-4000		1 OF 8
THIS DRAWING CONTAINS INFORMATION THAT IS PROPRIETARY TO MOLEX INCORPORATED AND SHOULD NOT BE USED WITHOUT WRITTEN PERMISSION						

		13	12	11	10	9	8	7	6	5	4	3	2	1				
J	ENGINEERING NUMBER A-70280-	RELEASE FOR MANUFACTURE												CONNECTOR END PLATING		P.C. BOARD END PLATING		FOR PACKAGING INFORMATION, SEE NOTE A, SHEET 1 (UNLESS OTHERWISE SPECIFIED BELOW)
			E REF.	J REF.	C ±(0.25) ±.010	TYPE	D MEAS.	TYPE	F MEAS.									
	-0001/-0040	R.F.M.	(2.72) .107	(11.10) .437	(6.10) .240										TIN	(2.54) .100	TIN	(1.27) .050
	-0041/-0080	R.F.M.	(2.72) .107	(11.10) .437	(6.10) .240										15 GOLD	(2.54) .100	TIN	(1.27) .050
I	-0081/-0120	R.F.M.	(2.72) .107	(11.10) .437	(6.10) .240										30 GOLD	(2.54) .100	TIN	(1.27) .050
	-0121/-0160	R.F.M.	(2.79) .110	(13.21) .520	(8.13) .320										TIN	(4.57) .180	TIN	(1.27) .050
H	-0161/-0200	R.F.M.	(2.79) .110	(13.21) .520	(8.13) .320										15 GOLD	(4.57) .180	TIN	(1.27) .050
	-0201/-0240	R.F.M.	(2.79) .110	(13.21) .520	(8.13) .320										30 GOLD	(4.57) .180	TIN	(1.27) .050
	-0241/-0280	R.F.M.	(3.94) .155	(12.32) .485	(6.10) .240										30 GOLD	(2.54) .100	TIN	(1.27) .050
CKTS	EDP NUMBER	ENG NUMBER	EDP NUMBER	ENG NUMBER	EDP NUMBER	ENG NUMBER	EDP NUMBER	ENG NUMBER	EDP NUMBER	ENG NUMBER	EDP NUMBER	ENG NUMBER	EDP NUMBER	ENG NUMBER	CKTS			
04	010-89-7041	A-70280-0001	010-89-7042	A-70280-0002	010-89-7043	A-70280-0003	010-89-7044	A-70280-0004	010-89-7045	A-70280-0005	010-89-7046	A-70280-0006	010-89-7047	A-70280-0007	04			
06	010-89-7061	A-70280-0002	010-89-7062	A-70280-0003	010-89-7063	A-70280-0004	010-89-7064	A-70280-0005	010-89-7065	A-70280-0006	010-89-7066	A-70280-0007	010-89-7067	A-70280-0008	06			
08	010-89-7081	A-70280-0003	010-89-7082	A-70280-0004	010-89-7083	A-70280-0005	010-89-7084	A-70280-0006	010-89-7085	A-70280-0007	010-89-7086	A-70280-0008	010-89-7087	A-70280-0009	08			
10	010-89-7101	A-70280-0004	010-89-7102	A-70280-0005	010-89-7103	A-70280-0006	010-89-7104	A-70280-0007	010-89-7105	A-70280-0008	010-89-7106	A-70280-0009	010-89-7107	A-70280-0010	10			
12	010-89-7121	A-70280-0005	010-89-7122	A-70280-0006	010-89-7123	A-70280-0007	010-89-7124	A-70280-0008	010-89-7125	A-70280-0009	010-89-7126	A-70280-0010	010-89-7127	A-70280-0011	12			
14	010-89-7141	A-70280-0006	010-89-7142	A-70280-0007	010-89-7143	A-70280-0008	010-89-7144	A-70280-0009	010-89-7145	A-70280-0010	010-89-7146	A-70280-0011	010-89-7147	A-70280-0012	14			
16	010-89-7161	A-70280-0007	010-89-7162	A-70280-0008	010-89-7163	A-70280-0009	010-89-7164	A-70280-0010	010-89-7165	A-70280-0011	010-89-7166	A-70280-0012	010-89-7167	A-70280-0013	16			
18	010-89-7181	A-70280-0008	010-89-7182	A-70280-0009	010-89-7183	A-70280-0010	010-89-7184	A-70280-0011	010-89-7185	A-70280-0012	010-89-7186	A-70280-0013	010-89-7187	A-70280-0014	18			
20	010-89-7201	A-70280-0009	010-89-7202	A-70280-0010	010-89-7203	A-70280-0011	010-89-7204	A-70280-0012	010-89-7205	A-70280-0013	010-89-7206	A-70280-0014	010-89-7207	A-70280-0015	20			
22	010-89-7221	A-70280-0010	010-89-7222	A-70280-0011	010-89-7223	A-70280-0012	010-89-7224	A-70280-0013	010-89-7225	A-70280-0014	010-89-7226	A-70280-0015	010-89-7227	A-70280-0016	22			
24	010-89-7241	A-70280-0011	010-89-7242	A-70280-0012	010-89-7243	A-70280-0013	010-89-7244	A-70280-0014	010-89-7245	A-70280-0015	010-89-7246	A-70280-0016	010-89-7247	A-70280-0017	24			
26	010-89-7261	A-70280-0012	010-89-7262	A-70280-0013	010-89-7263	A-70280-0014	010-89-7264	A-70280-0015	010-89-7265	A-70280-0016	010-89-7266	A-70280-0017	010-89-7267	A-70280-0018	26			
28	010-89-7281	A-70280-0013	010-89-7282	A-70280-0014	010-89-7283	A-70280-0015	010-89-7284	A-70280-0016	010-89-7285	A-70280-0017	010-89-7286	A-70280-0018	010-89-7287	A-70280-0019	28			
30	010-89-7301	A-70280-0014	010-89-7302	A-70280-0015	010-89-7303	A-70280-0016	010-89-7304	A-70280-0017	010-89-7305	A-70280-0018	010-89-7306	A-70280-0019	010-89-7307	A-70280-0020	30			
32	010-89-7321	A-70280-0015	010-89-7322	A-70280-0016	010-89-7323	A-70280-0017	010-89-7324	A-70280-0018	010-89-7325	A-70280-0019	010-89-7326	A-70280-0020	010-89-7327	A-70280-0021	32			
34	010-89-7341	A-70280-0016	010-89-7342	A-70280-0017	010-89-7343	A-70280-0018	010-89-7344	A-70280-0019	010-89-7345	A-70280-0020	010-89-7346	A-70280-0021	010-89-7347	A-70280-0022	34			
36	010-89-7361	A-70280-0017	010-89-7362	A-70280-0018	010-89-7363	A-70280-0019	010-89-7364	A-70280-0020	010-89-7365	A-70280-0021	010-89-7366	A-70280-0022	010-89-7367	A-70280-0023	36			
38	010-89-7381	A-70280-0018	010-89-7382	A-70280-0019	010-89-7383	A-70280-0020	010-89-7384	A-70280-0021	010-89-7385	A-70280-0022	010-89-7386	A-70280-0023	010-89-7387	A-70280-0024	38			
40	010-89-7401	A-70280-0019	010-89-7402	A-70280-0020	010-89-7403	A-70280-0021	010-89-7404	A-70280-0022	010-89-7405	A-70280-0023	010-89-7406	A-70280-0024	010-89-7407	A-70280-0025	40			
42	010-89-7421	A-70280-0020	010-89-7422	A-70280-0021	010-89-7423	A-70280-0022	010-89-7424	A-70280-0023	010-89-7425	A-70280-0024	010-89-7426	A-70280-0025	010-89-7427	A-70280-0026	42			
44	010-89-7441	A-70280-0021	010-89-7442	A-70280-0022	010-89-7443	A-70280-0023	010-89-7444	A-70280-0024	010-89-7445	A-70280-0025	010-89-7446	A-70280-0026	010-89-7447	A-70280-0027	44			
46	010-89-7461	A-70280-0022	010-89-7462	A-70280-0023	010-89-7463	A-70280-0024	010-89-7464	A-70280-0025	010-89-7465	A-70280-0026	010-89-7466	A-70280-0027	010-89-7467	A-70280-0028	46			
48	010-89-7481	A-70280-0023	010-89-7482	A-70280-0024	010-89-7483	A-70280-0025	010-89-7484	A-70280-0026	010-89-7485	A-70280-0027	010-89-7486	A-70280-0028	010-89-7487	A-70280-0029	48			
50	010-89-7501	A-70280-0024	010-89-7502	A-70280-0025	010-89-7503	A-70280-0026	010-89-7504	A-70280-0027	010-89-7505	A-70280-0028	010-89-7506	A-70280-0029	010-89-7507	A-70280-0030	50			
52	010-89-7521	A-70280-0025	010-89-7522	A-70280-0026	010-89-7523	A-70280-0027	010-89-7524	A-70280-0028	010-89-7525	A-70280-0029	010-89-7526	A-70280-0030	010-89-7527	A-70280-0031	52			
54	010-89-7541	A-70280-0026	010-89-7542	A-70280-0027	010-89-7543	A-70280-0028	010-89-7544	A-70280-0029	010-89-7545	A-70280-0030	010-89-7546	A-70280-0031	010-89-7547	A-70280-0032	54			
56	010-89-7561	A-70280-0027	010-89-7562	A-70280-0028	010-89-7563	A-70280-0029	010-89-7564	A-70280-0030	010-89-7565	A-70280-0031	010-89-7566	A-70280-0032	010-89-7567	A-70280-0033	56			
58	010-89-7581	A-70280-0028	010-89-7582	A-70280-0029	010-89-7583	A-70280-0030	010-89-7584	A-70280-0031	010-89-7585	A-70280-0032	010-89-7586	A-70280-0033	010-89-7587	A-70280-0034	58			
60	010-89-7601	A-70280-0029	010-89-7602	A-70280-0030	010-89-7603	A-70280-0031	010-89-7604	A-70280-0032	010-89-7605	A-70280-0033	010-89-7606	A-70280-0034	010-89-7607	A-70280-0035	60			
62	010-89-7621	A-70280-0030	010-89-7622	A-70280-0031	010-89-7623	A-70280-0032	010-89-7624	A-70280-0033	010-89-7625	A-70280-0034	010-89-7626	A-70280-0035	010-89-7627	A-70280-0036	62			
64	010-89-7641	A-70280-0031	010-89-7642	A-70280-0032	010-89-7643	A-70280-0033	010-89-7644	A-70280-0034	010-89-7645	A-70280-0035	010-89-7646	A-70280-0036	010-89-7647	A-70280-0037	64			
66	010-89-7661	A-70280-0032	010-89-7662	A-70280-0033	010-89-7663	A-70280-0034	010-89-7664	A-70280-0035	010-89-7665	A-70280-0036	010-89-7666	A-70280-0037	010-89-7667	A-70280-0038	66			
68	010-89-7681	A-70280-0033	010-89-7682	A-70280-0034	010-89-7683	A-70280-0035	010-89-7684	A-70280-0036	010-89-7685	A-70280-0037	010-89-7686	A-70280-0038	010-89-7687	A-70280-0039	68			
70	010-89-7701	A-70280-0034	010-89-7702	A-70280-0035	010-89-7703	A-70280-0036	010-89-7704	A-70280-0037	010-89-7705	A-70280-0038	010-89-7706	A-70280-0039	010-89-7707	A-70280-0040	70			
72	010-89-7721	A-70280-0035	010-89-7722	A-70280-0036	010-89-7723	A-70280-0037	010-89-7724	A-70280-0038	010-89-7725	A-70280-0039	010-89-7726	A-70280-0040	010-89-7727	A-70280-0041	72			
74	010-89-7741	A-70280-0036	010-89-7742	A-70280-0037	010-89-7743	A-70280-0038	010-89-7744	A-70280-0039	010-89-7745	A-70280-0040	010-89-7746	A-70280-0041	010-89-7747	A-70280-0042	74			
76	010-89-7761	A-70280-0037	010-89-7762	A-70280-0038	010-89-7763	A-70280-0039	010-89-7764	A-70280-0040	010-89-7765	A-70280-0041	010-89-7766	A-70280-0042	010-89-7767	A-70280-0043	76			
78	010-89-7781	A-70280-0038	010-89-7782	A-70280-0039	010-89-7783	A-70280-0040	010-89-7784	A-70280-0041	010-89-7785	A-70280-0042	010-89-7786	A-70280-0043	010-89-7787	A-70280-0044	78			
80	010-89-7801	A-70280-0039	010-89-7802	A-70280-0040	010-89-7803	A-70280-0041	010-89-7804	A-70280-0042	010-89-7805	A-70280-0043	010-89-7806	A-70280-0044	010-89-7807	A-70280-0045	80			

UPDATE DIMENSIONS EC NO. UCP2007-1440 2006/12/18 DRWNR/DR CHK'D/ADR APPR/SMH 2007/01/10	QUALITY SYMBOLS ▽=0 ▽=0	GENERAL TOLERANCES (UNLESS SPECIFIED) mm INCH 4 PLACES ± --- ± --- 3 PLACES ± --- ± --- 2 PLACES ± --- ± --- 1 PLACE ± --- ± --- ANGULAR ±1/2°	DIMENSION STYLE MM/IN DRAWN BY DATE SMR 1993/04/19 CHECKED BY DATE APPROVED BY DATE SMR 1993/04/19	SCALE --- INCH DESIGN UNITS THIRD ANGLE PROJECTION
	DRAFT WHERE APPLICABLE MUST REMAIN WITHIN DIMENSIONS		MATERIAL NO. SEE CHART DOCUMENT NO. SDA-70280-0001-4000 SHEET NO. 2 OF 8	SALES ASSY-HIGH TEMP.

2.54mm (.100") Pitch SL™ Wire-to-Board Shrouded Header

70634
Single Row, .120" Pocket
Right Angle, Low Profile
SMT with Tri Peg



Features and Benefits

- Sizes 2 to 25 circuits
- Press-fit peg maximizes retention to PCB during soldering process
- Locking crown secures positive latch to header
- Standoffs minimize flux interference

Reference Information

Product Specification: PS-70541
Packaging: Tube
UL File No.: E29179
CSA File No.: LR19980
Mates with: 70066G, 70066N, 70400G and 70430G
Designed in: Inches

Electrical

Voltage: 250V
Current: 3.0A
Contact Resistance: 15 milliohms max.
Dielectric Withstanding Voltage: 1500V
Insulation Resistance: 10,000 Megohms min.

Mechanical

Insertion force to PCB: 44.48N (10 lbs.)
Durability: Tin — 25 cycles; Gold — 50 cycles

Physical

Housing: Black polyester, UL 94V-0
Contact: Copper Alloy
Operating Temperature: -40 to +105°C

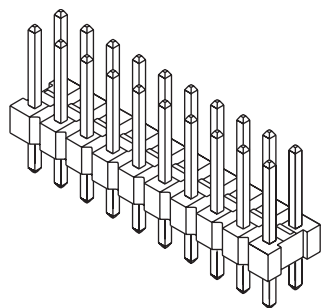
Circuits	Order No.			Lead-free
	Tin	15µm Gold	30µm Gold	
2	15-91-3024	15-91-2025	15-91-3023	Yes
3	15-91-3034	15-91-2035	15-91-3033	
4	15-91-3044	15-91-2045	15-91-3043	
5	15-91-3054	15-91-2055	15-91-3053	
6	15-91-3064	15-91-2065	15-91-3063	
7	15-91-3074	15-91-2075	15-91-3073	
8	15-91-3084	15-91-2085	15-91-3083	
9	15-91-3094	15-91-2095	15-91-3093	
10	15-91-3104	15-91-2105	15-91-3103	
11	15-91-3114	15-91-2115	15-91-3113	
12	15-91-3124	15-91-2125	15-91-3123	
13	15-91-3134	15-91-2135	15-91-3133	

Circuits	Order No.			Lead-free
	Tin	15µm Gold	30µm Gold	
14	15-91-3144	15-91-2145	15-91-3143	Yes
15	15-91-3154	15-91-2155	15-91-3153	
16	15-91-3164	15-91-2165	15-91-3163	
17	15-91-3174	15-91-2175	15-91-3173	
18	15-91-3184	15-91-2185	15-91-3183	
19	15-91-3194	15-91-2195	15-91-3193	
20	15-91-3204	15-91-2205	15-91-3203	
21	15-91-3214	15-91-2215	15-91-3213	
22	15-91-3224	15-91-2225	15-91-3223	
23	15-91-3234	15-91-2235	15-91-3233	
24	15-91-3244	15-91-2245	15-91-3243	
25	15-91-3254	15-91-2255	15-91-3253	

www.molex.com/product/sl_products.html

2.54mm (.100") Pitch C-Grid® Breakaway Header

70280
Dual Row, Vertical
High-Temperature



Features and Benefits

- Sizes 4 to 100 circuits
- Stackable side-to-side and end-to-end (on unbroken edges)
- Easy breakaway to smaller sizes
- Drawn .025" square wire provides 4-sided smooth surface for quality interface

Reference Information

Product Specifications: PS-70280
Packaging: Bag
UL File No.: E29179
CSA File No.: LR19980
Mates With: 7859 Shunts, C-Grid Receptacles, SL Crimp, FFC and IDT Housings
Designed In: Inches

Electrical

Voltage: 250V
Current: 3.0A
Contact Resistance: 15 milliohms max.
Dielectric Withstanding Voltage: 1500V
Insulation Resistance: 1000 Megohms min.

Mechanical

Pin Retention to Header: 17.79N (4 lb)
Durability: Tin—25 cycles; Gold—50 cycles

Physical

Housing: Black high-temperature thermal plastic, UL 94V-0
Contact: Copper Alloy
Plating: See Table
Operating Temperature: -40 to +105°C

Not For Use With Molex C-Grid III™ Components

Plating Option	Order No.	Lead-free
150µm Tin	10-89-7XX1	Yes
15µm Gold	10-89-7XX2	
30µm Gold	10-89-7XX0	

Replace XX with no. of circuits, 04-80 (even only). See sales drawing for 82-100.

www.molex.com/product/cgrid/cgrid.html



MX07 C-27

C
2.54mm (.100") Pitch PCB and Wire Connectors