

## Solutions for Electronic Specialty Markets (ESM)

- Product Catalog for Electronic Specialty Markets
  - 3M™ Electronic Specialty Markets - New Product Releases
  - 3M™ Abrasives
  - 3M™ Adhesives, Cleaners & Compounds
  - 3M™ Breadboards & Test Clips
  - 3M™ Cable & Assemblies
  - 3M™ Copper Interconnects
  - 3M™ Fiber Optics
  - 3M™ Fire Protection
  - 3M™ Heat Shrink
  - 3M™ Identification Systems
  - 3M™ Occupational Health & Safety Products
  - 3M™ Protective Bumpers
  - 3M™ Reclosable Fasteners
  - 3M™ Splicing, Terminating & Ducting
  - 3M™ Static Control
  - 3M™ Tapes
  - 3M™ Terminals, Kits & Tools
  - 3M™ Vacuums & Accessories
  - 3M™ Warehousing & Packaging Supplies
  - 3M™ Wire Connectors

[Product Catalog for Electronic Specialty Markets](#) > [3M™ Copper Interconnects](#) > [Wiremount Sockets](#) > [Polarized Wiremount Socket, .100" x .100", CHG Series](#) >

### [Printer-friendly format](#) **3M™ .100 in. Wiremount Socket, 2-Row, Polarized Body, 34 Contacts, CHG-2034-J01010-KEP**

.100" x .100" Two Row for .100" Pitch Notched or Discrete Wire Cable, Polarization option with centerbump (standard), Wire size options 22 AWG stranded and 24 AWG solid or stranded, Plating wipe area: Gold.


GTIN(UPC/EAN) : 0 00 54007 66362 1  
3M Id : 80-6104-2049-1

#### Additional Information

**Learn More . . .**

[Packaging Data](#)  
[3M™ .100 in. Polar.WM Skt.,.100"x.100",2-Row,CHG Series,TS0192 - Data Sheet \(PDF 977.4 K\)](#)

**Please Note:**  
Adobe® Acrobat® Reader is required to view PDF documents.



#### Characteristics

<b>China RoHS - Below MCV</b>	Yes
<b>Conductor Accommodation</b>	22 AWG Stranded & 24 AWG Solid & Stranded
<b>Contact Material</b>	Copper Alloy
<b>Contact Termination Area Plating</b>	None
<b>Contact Underplating</b>	100 μ" [2.54 μm] Nickel
<b>Contact Wiping Area Plating</b>	30 μ" [0.76 μm] Gold
<b>Current Rating</b>	2 Ampere
<b>EPC Can View</b>	Public
<b>EU RoHS Compliant</b>	Yes
<b>Insulation Color</b>	Gray
<b>Insulation Flammability Rating</b>	UL 94V-0
<b>Insulation Material</b>	Glass Filled Polyester (PBT)
<b>Insulation Resistance</b>	>1 X 10 <sup>9</sup> Ohms @ 500 Vdc
<b>Interface Grid</b>	.100" x .100"
<b>Interface Style</b>	Rectangular Socket
<b>Markings</b>	3M Logo, Part Identification Number and Orientation Triangle

<b>Non-Operating Temperature</b>	-55 to 105 Degree Celsius
<b>Number of Contact Rows</b>	2
<b>Number of Contacts</b>	34
<b>Pitch</b>	0.100 Inch
<b>Polarization</b>	DIN 41612 & Centerbump
<b>Primary Trademark Name</b>	3M
<b>Separable</b>	Yes
<b>Termination Method</b>	Insulation Displacement
<b>Termination Style</b>	Multiple Wires
<b>Withstanding Voltage</b>	1000 Vrms at Sea Level

# 3M™ Polarized Wiremount Socket

.100" × .100" 2 row for .100" Pitch Notched Flat Cable or Discrete Wire

CHG Series



- Military/DIN 41612 compatibility
- Two row, polarized body
- Mates to 3M long latch/eject headers and plugs
- 12 standard sizes, 10-64 positions
- Twin slot IDC provides four points of contact
- Exclusive L/H 4-wipe contact
- 3435-0 keying plug is optional - order separately
- Accepts discrete wire or notched ribbon cable
- See Regulatory Information Appendix (RIA) for chemical compliance information

Date Modified: July 19, 2007

TS-0192-B  
Sheet 1 of 2

---

## Physical

### Insulation

Material: Glass Filled Polyester (PBT)

Flammability: UL 94V-0

Color: Gray

### Contact

Material: Copper Alloy

### Plating:

Option P

First Wipe Area: 30 μ" [ 0.76 μm ] Gold

Second Wipe Area,

Underplating and U-Slot: 100 μ" [ 2.54 μm ] Nickel

Wire Accommodation: See Ordering Information for Options

Marking: 3M Logo and Orientation Triangle

---

## Electrical

**Current Rating:** 22-24 AWG: 2 A; 26-28 AWG: 1.5 A

**Insulation Resistance:**  $> 1 \times 10^9 \Omega$  at 500 V<sub>DC</sub>

**Withstanding Voltage:** 1000 V<sub>RMS</sub> at Sea Level

---

## Environmental

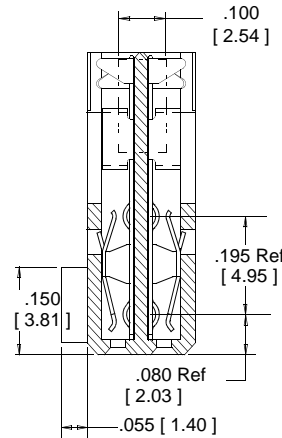
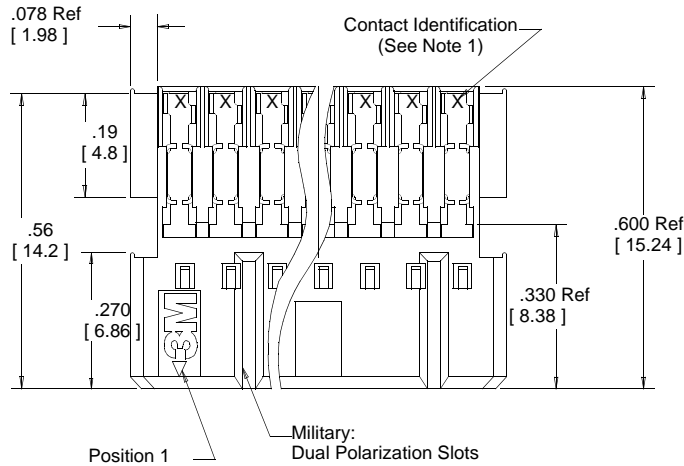
**Temperature Rating:** -55°C to +105°C

UL File No.: E68080

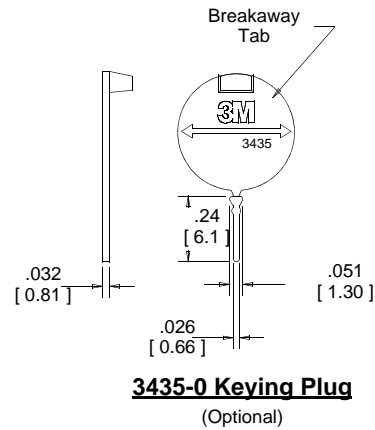
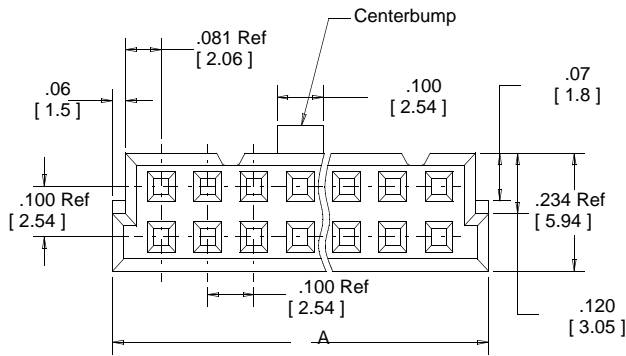
# 3M™ Polarized Wiremount Socket

.100" × .100" 2 row for .100" Pitch Notched Flat Cable or Discrete Wire

CHG Series



Contact Quantity	Dimension A ± .006 [ ± 0.15 ]
10	0.680 [ 17.27 ]
14	0.880 [ 22.35 ]
16	0.980 [ 24.89 ]
20	1.180 [ 29.97 ]
24	1.380 [ 35.05 ]
26	1.480 [ 37.59 ]
30	1.680 [ 42.68 ]
34	1.880 [ 47.75 ]
40	2.180 [ 55.37 ]
50	2.680 [ 68.07 ]
60	3.180 [ 80.77 ]
64	3.380 [ 85.85 ]



**3435-0 Keying Plug**  
(Optional)

**Notes:**

- Contact Wire size Identification:  
"6" - 26 and 28 AWG  
"2" - 22 and 24 AWG
- Insulation O.D. = .054 [ 1.37 ] Max
- Recommended to be mated to a .100" x .100" Pin Strip Header with either a .235" [ 5.97 ] or a .318" [ 8.08 ] mating pin length: 929 Series, 2400 Series and 2300 Series.
- Other sizes, polarizations and plating options are available as a special order. Higher minimum quantities and lead times will apply.

Inch [mm]			
Tolerance Unless Noted			
	.0	.00	.000
inch	±.1	±.01	±.005

[ ] Dimensions for Reference Only



## Ordering Information

**CHG-20XX-X01010-KXX**

Contact Quantity:  
See Table

Polarization Options:  
J = with Centerbump (Standard)  
S = without Centerbump (Special Order)

Wire Size Options:  
C = 26 and 28 AWG Solid and Stranded  
E = 22 AWG Stranded and 24 AWG Solid or Stranded

\*Plating Options:  
P = Gold (RIA E1 and C1 apply)

Application Tools: For discrete wire: 3586-12 Pistol Grip and 3624-42 Assembly.  
For notched flat cable: 3335 Press (or equivalent), 3739-CHGA locator plate.

TS-0192-B  
Sheet 2 of 2