

Switch Language

English

Need Assistance?

Contact Us
Find a Distributor
Order Samples
Tech Library

Printer-friendly page

Email this page

[Home](#) [Crimp Housings](#) [Datasheet](#)

Part Number: 0039012060

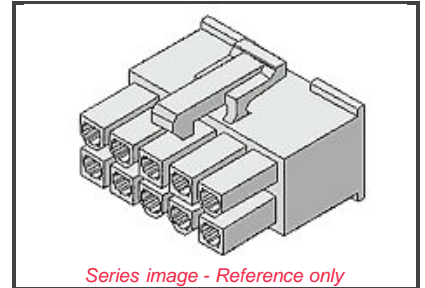
Status: Active **Overview:** [Mini-Fit Jr.™](#)

Description: 4.20mm (.165") Pitch Mini-Fit Jr.™ Receptacle Housing, Dual Row, UL 94V-2, 6 Circuits

Documents:

Note - Please disable browser pop-up blockers for documents on www.molex.com

- [Drawing \(PDF\)](#) [Product Specification PS-5557-003 \(PDF\)](#)
- [Product Specification PS-5557-004 \(PDF\)](#) [Product Specification PS-5557-010 \(PDF\)](#)
- [Product Specification PS-5557-011 \(PDF\)](#) [Product Specification PS-5557-012 \(PDF\)](#)
- [Product Specification PS-5557-013 \(PDF\)](#) [Product Specification PS-5557-015 \(PDF\)](#)
- [Product Specification PS-5557-016 \(PDF\)](#) [Product Specification PS-5557-021 \(PDF\)](#)
- [Product Specification PS-5557-039 \(PDF\)](#) [Product Specification PS-5557-040 \(PDF\)](#)
- [Product Specification PS-5557-041 \(PDF\)](#) [Product Specification PS-5557-042 \(PDF\)](#)
- [Product Specification PS-5557-043 \(PDF\)](#) [Product Specification PS-5557-044 \(PDF\)](#)
- [3D Model](#) [Test Summary \(PDF\)](#)
- [Related Catalog Page \(PDF\)](#)



EU RoHS **China RoHS**
ELV and RoHS Compliant



Need more information on product compliance?

Email productcompliance@molex.com

Please visit the [Contact Us](#) section for any non-product compliance questions.

Order Products:

[Check Distributor Inventory](#) [Add to My Parts](#)
[Request Samples](#)

Part Detail: [\(show all\)](#)

[General](#) [Physical](#) [Electrical](#) [Material Info](#)

General

Product Family Crimp Housings
Series [5557](#)
Comments Glow Wire Equivalent Part Number [50361672](#)
Overview [Mini-Fit Jr.™](#)
Product Name Mini-Fit Jr.™

Physical

Breakaway No
Circuits (maximum) 6
Color - Resin Natural
Flammability 94V-2
Gender Female
Material - Resin Nylon
Number of Rows 2
Packaging Type Bag
Panel Mount No
Pitch - Mating Interface (in) 0.165 In
Pitch - Mating Interface (mm) 4.20 mm
Pitch - Term. Interface (in) 0.165 In
Pitch - Term. Interface (mm) 4.20 mm

Search Parts in this Series

[5557](#) Series

Mates With

[5559d](#), [5566vw](#), [5566vwo](#), [5569rdf](#),
[5569rdp](#), [43810a](#), [43810b](#), [43810c](#),
[43810d](#), [44068a](#), [44068b](#), [44068c](#),
[44068d](#), [44281](#), [44472dw](#), [44472dwo](#),
[87427](#), [87427r](#), [87427rf](#), [42404](#),
[44474](#), [42440](#), [43879](#), [42475](#)

Use With

[41995](#) Strain Relief

Polarized to Mating Part	Yes
Stackable	No
Temperature Range - Operating	-40°C to +105°C

Electrical

CSA	LR19980
TUV	R75142
UL	E29179

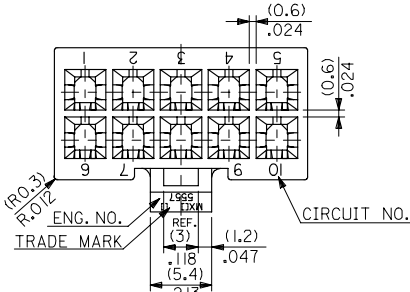
Material Info

Old Part Number	5557-06R
-----------------	----------

Reference - Drawing Numbers

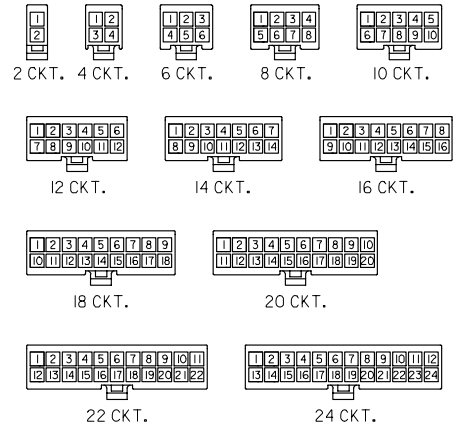
Product Specification	PS-5557-003
Product Specification	PS-5557-004
Product Specification	PS-5557-010
Product Specification	PS-5557-011
Product Specification	PS-5557-012
Product Specification	PS-5557-013
Product Specification	PS-5557-015
Product Specification	PS-5557-016
Product Specification	PS-5557-021
Product Specification	PS-5557-039
Product Specification	PS-5557-040
Product Specification	PS-5557-041
Product Specification	PS-5557-042
Product Specification	PS-5557-043
Product Specification	PS-5557-044
Sales Drawing	SD-5557-003

10 9 8 7 6 5 4 3 2 1

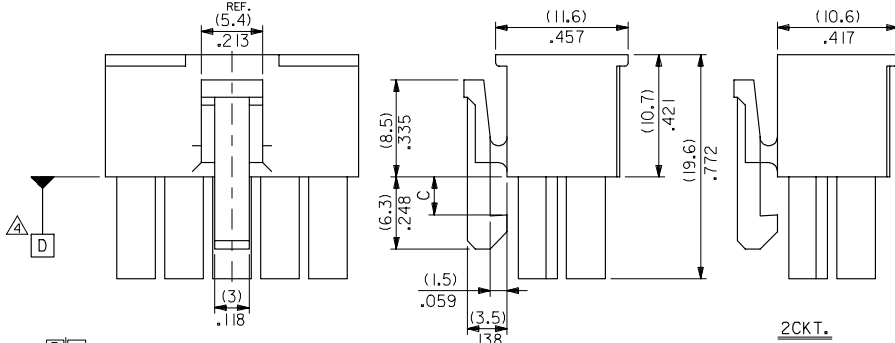


NOTES

1. TERMINAL : 5556 SERIES
 2. MATE WITH : 5559 SERIES
5566 SERIES
5569 SERIES
501566 SERIES
 3. (METRIC) VALUES SHOWN GOVERN OVER ENGLISH CONVERSION VALUES.
- ⚠ TO BE MEASURED AT POSITION OF D SURFACE.

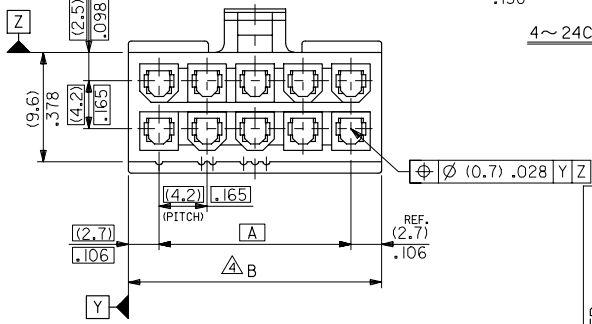


CIRCUIT SIZE LAYOUT
(SCALE 1:1)



材料	
MATERIAL	66NYLON (UL94V-2)
仕上り	—
FINISH	—
適用電線範囲	—
WIRE RANGE	—
被覆外径	—
INS. RANGE	—

(51.6)	2.031	(46.2)	1.819	39-01-2240	5557-24R	24	
(3.6)	(47.4)	1.866	(42)	1.654	↑ -2220	↑ -22R	22
.142	(43.2)	1.701	(37.8)	1.488	↑ -2200	↑ -20R	20
	(39)	1.535	(33.6)	1.323	-2180	-18R	18
	(34.8)	1.37	(29.4)	1.158	-2160	-16R	16
	(30.6)	1.205	(25.2)	.992	-2140	-14R	14
	(26.4)	1.039	(21)	.827	-2120	-12R	12
(3.3)	(22.2)	.874	(16.8)	.661	-2100	-10R	10
.129	(18)	.709	(12.6)	.496	-2080	-08R	8
	(13.8)	.543	(8.4)	.331	-2060	-06R	6
	(9.6)	.378	(4.2)	.165	↓ -2040	↓ -04R	4
	(5.4)	.213	—	—	39-01-2020	5557-02R	2
					EDP. NO.	ENG. NO.	NO. OF CKTS.



REVISED EC NO. J2005-3799 DRW:HNABEI 2005/06/20 CHK:KATOYODA 2005/06/21 APPR:NIKIITA 2005/06/27 REV DESCRIPTION	GENERAL TOLERANCES (UNLESS SPECIFIED)		DIMENSION STYLE	SCALE	DESIGN UNITS	THIRD ANGLE PROJECTION NEW MINI FIT CONN REC. HOUSING MOLEX INCORPORATED DOCUMENT NO. SD-5557-003 SHEET NO. 2 OF 2
	10 UNDER	±0.2	MM ONLY	3:1	METRIC	
	10 OVER 30 UNDER	±0.3	DRAWN BY	DATE	TITLE	
	30 OVER	±0.4	S. MOCHIZUKI	'90/02/22		
	ANGULAR	±3 °	CHECKED BY	DATE		
	DRAFT WHERE APPLICABLE MUST REMAIN WITHIN DIMENSIONS	M. FUKUSHIMA	'97/01/08			
		APPROVED BY	DATE			
		M. FUKUSHIMA	'97/01/08			
		MATERIAL NO.	SEE CHART			
		SIZE	A3			