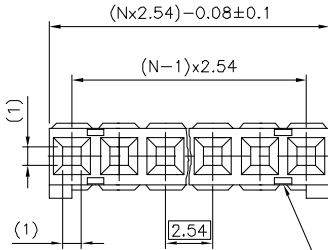
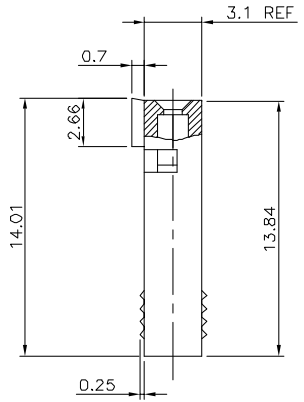
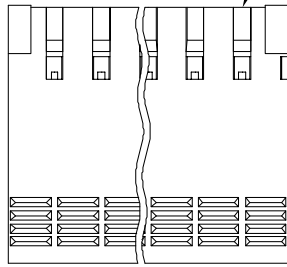


PRODUCT NUMBER
65240-0XXLF

- WHEN NEEDED, SUFFIX LETTER "LF" INDICATES THE PRODUCT IS RoHS COMPLIANT, SEE NOTE 6
- NUMBER OF CAVITIES PER ROW: 02 TO 36.
- PLASTIC MATERIAL.



SEE NOTE 2



NOTES:

- 1 - HOUSING MAT'L: THERMOPLASTIC GLASS FILLED FLAME RETARDANT PER UL 94 V-0 COLOR: BLUE.
- 2 - OVER DASH -007 ONLY FIRST AND LAST THREE POSITIONS MUST HAVE GROOVES ON TWO SIDES.
- 3 - PRODUCT PACKED IN PLASTIC BAG.
- 4 - TO DETERMINE DIMENSIONS:
N = NUMBER OF POSITIONS
EXAMPLE: 8 POS: (N x 2.54) - 0.08 = 20.24 mm.
- 5 - FOR TECHNICAL APPLICATION SEE TA317.
- 6 - RoHS COMPATIBLE PRODUCT SPECIFICATIONS

a - LABELING:

— MEETS PACKAGING SPECS AS PER GS-14-920

b - LEGAL STATEMENT: SEE GS-22-008

THE PRODUCT IS NOT INTENDED TO BE EXPOSED TO A MANUFACTURING SOLDER PROCESS.

mat'l. code	surface	tolerance	projection
SEE NOTE	ISO 1982	ISO 486 ISO	101
	tolerances unless otherwise specified	±0.3	mm
	angles	linear	scale 5:1
	dr	G CORBOZ	01.01.05
	engr	P NIZZI	01.01.05
	chr	JF NOTTEAU	01.01.05
	app	P NZ	01.01.05
sheet index	revision sheet		

product family	DUBOX
title	CtW HOUSING SR
dwg no	65240
sheet 1 of 1	size A3
type	CUSTOMER Drawing