

## SZS 1,0X4,0 VDE


Order No.: 1205066

The illustration shows version SZS 0,6 x 3,5

<http://eshop.phoenixcontact.de/phoenix/treeViewClick.do?UID=1205066>

Screwdriver, bladed, VDE insulated, size: 1.0 x 4.0 x 100 mm, 2-component grip, with non-slip grip

### Commercial data

GTIN (EAN)	
sales group	C200
Pack	10 pcs.
Customs tariff	82054000
Catalog page information	Page 283 (CL2-2011)

### Product notes

WEEE/RoHS-compliant since:  
10/24/2008



<http://www.download.phoenixcontact.com>  
Please note that the data given here has been taken from the online catalog. For comprehensive information and data, please refer to the user documentation. The General Terms and Conditions of Use apply to Internet downloads.

### Technical data

#### General

Length (b)	198 mm
Width (a)	33 mm
Design	Phillips
Blade thickness	1 mm
Blade width	4 mm

Blade height	100 mm
Weight	55 g

### Certificates / Approvals

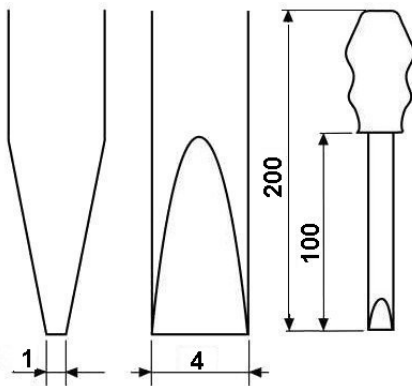


Certification

GOST, VDE-PZI

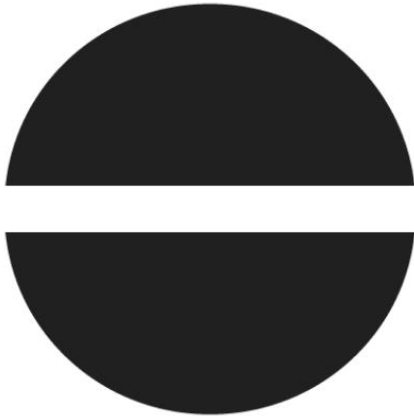
### Diagrams/Drawings

Dimensioned drawing



Pictogram

---



**Address**

PHOENIX CONTACT Inc., USA  
586 Fulling Mill Road  
Middletown, PA 17057, USA  
Phone (800) 888-7388  
Fax (717) 944-1625  
<http://www.phoenixcon.com>



© 2011 Phoenix Contact  
Technical modifications reserved;