

Introducing IP67 Common Core Connector

 **Tyco Electronics**
Our commitment. Your advantage.

IP67 Common Core Connector

KEY FEATURES

- Compliant to IEC 61076-3-106 - Variant 1
- Positive lock coupling ring provides reliable connections in harsh environments
- Tool-less connector
- For use with Cat 5e cable
- IP67 sealing performance
- Protective covers available for both the plug and receptacle

DESCRIPTIONS

Tyco Electronics now offers an IP67 field installable RJ45 connector. Utilizing our already existing “common core” design, the product can be applied in the field without the use of a tool. Designed for use in harsh environments, the connector features a quick-connect bayonet coupling mechanism.

APPLICATIONS

Industrial machinery, diagnostic equipment, communications equipment, industrial printers

ELECTRICAL

Meets TIA/EIA 568 Category 5e requirements

MATERIALS

Housing : UL94V-0

Pass Through Modular Jack : UL94V-0

Gasket, Seal : UL94 HBF

UV Resistant Housing Material

MECHANICAL

Positive lock coupling ring

Polarized for proper mating

Temperature Range : -40°C to +85°C [-40F to 185F]

STANDARDS & SPECIFICATIONS

108-2198 : Product Specification

114-13136 : Application Specification

408-8933 : Instruction Sheet

Compliant to IEC 61076-3-106 - Variant 1

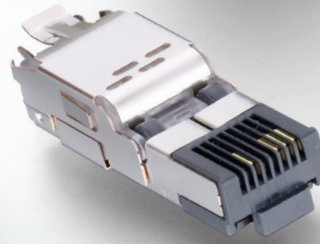
Compliant to IEC 60603-7, A8F - Variant 3

PRODUCT OFFERING

PN 1954656-1 : 4 position Plug Kit

PN 1954656-2 : 8 position Plug Kit

PN 1811689-1 : Shielded receptacle Kit



IP67 Common Core Connector

OPTIONAL ACCESSORIES

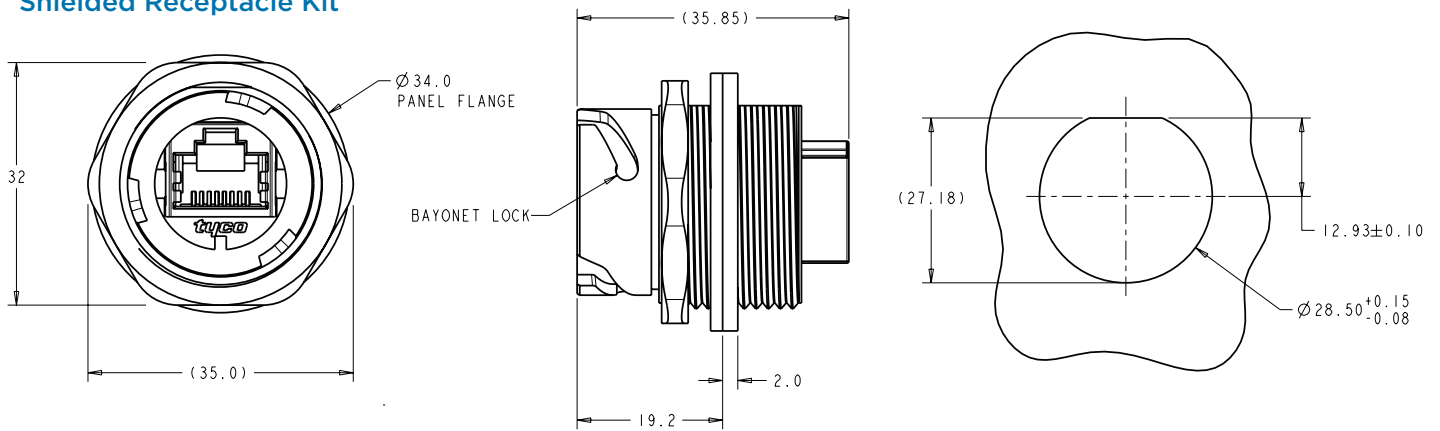
PN 1738611-1 : Receptacle Cover

PN 1981944-1 : Cable Stripper

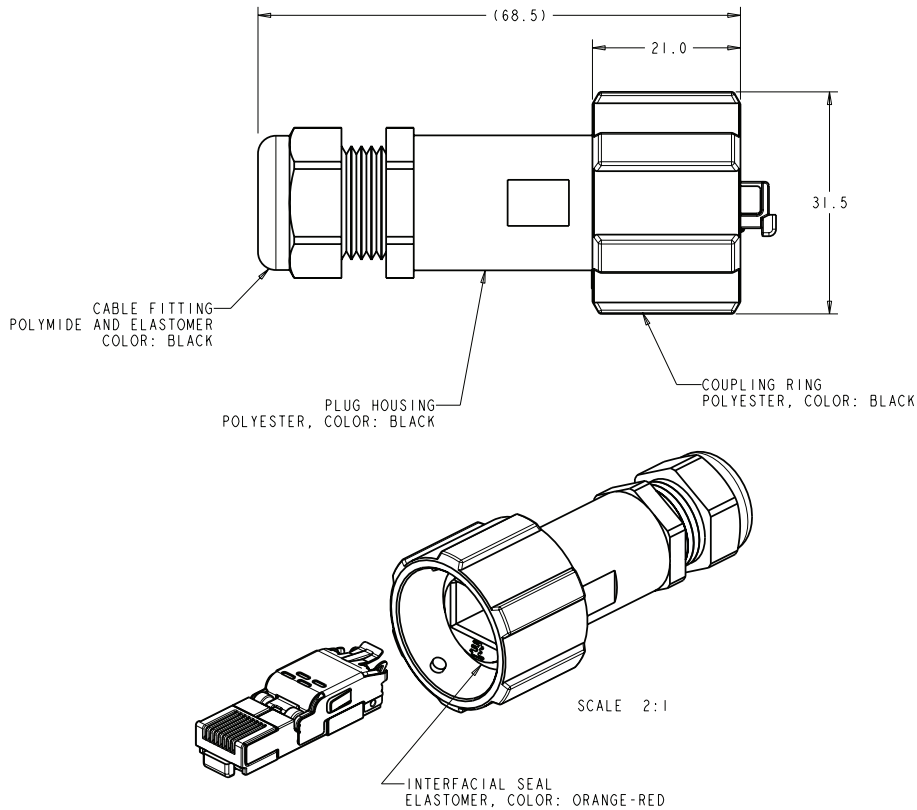
PN 1828740-1 : Plug Cover

PN 1939708-1 : Cable

Shielded Receptacle Kit



Plug Assembly



FOR MORE INFORMATION

www.tycoelectronics.com/industrial

Technical Support

Internet :	www.tycoelectronics.com/help
USA:	+1 (800) 522-6752
Canada:	+1 (905) 470-4425
Mexico & Central America:	+52(0) 55-1106-0814
South America:	+55 (0) 11-2103-6000
Germany:	+49 (0) 6251-133-1999
UK:	+44 (0) 8706-080208
France:	+33 (0) 1-3420-8686
Netherlands:	+31 (0) 73-6246-999
China:	+86 (0) 400-820-6015

Tyco Electronics Corporation
Harrisburg, PA

tycoelectronics.com

Copyright 2008 Tyco Electronics Corporation
7-1773453-3 2.5M FP 12/2008
TE logo and Tyco Electronics are trademarks.

