


**SACC-DSIV-M12FSD-4CON-L90**

Order No.: 1534630

<http://eshop.phoenixcontact.de/phoenix/treeViewClick.do?UID=1534630>

Bus system flush-type socket, ETHERNET, 4-pos., M12, shielded, D-coded, rear/screw mounting, with angled solder connection

**PROFI NET** Ethernet**Commercial data**

GTIN (EAN)	 4 046356 026802
sales group	D125
Pack	10 pcs.
Customs tariff	85369010
Catalog page information	Page 60 (PC-2011)

**Product notes**

WEEE/RoHS-compliant since:  
11/23/2005



<http://www.download.phoenixcontact.com>  
Please note that the data given here has been taken from the online catalog. For comprehensive information and data, please refer to the user documentation. The General Terms and Conditions of Use apply to Internet downloads.

**Technical data****General data**

Rated current at 40°C	4 A
Rated voltage	250 V
Number of positions	4
Volume resistance	≤ 3 mΩ

Insulation resistance	≥ 100 MΩ
Ambient temperature (operation)	-25 °C ... 85 °C

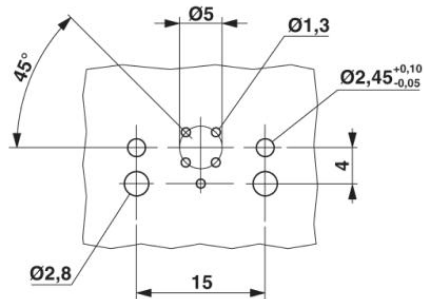
**General characteristics**

Standards/regulations	M12 connector IEC 61076-2-101
Coding	D - data
Surge voltage category	II
Pollution degree	3
Degree of protection	IP67
Contact material	CuZn
Contact surface material	Ni/Au
Contact carrier material	PA 66
Material of grip body	Zinc die-cast, nickel-plated
Material, knurls	Zinc die-cast, nickel-plated
Sealing material	NBR
Mounting type	Rear mounting M12 x 1 With locking nut
Connection method	Solder pins
Status display	No

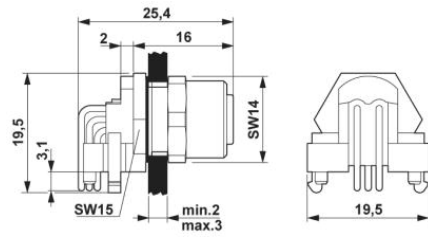
**Diagrams/Drawings**

Drilling plan/solder pad geometry

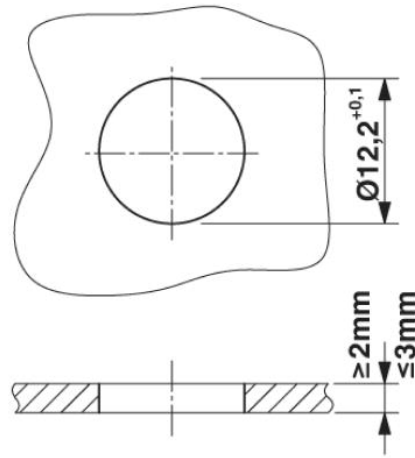
M12 flush-type connector



Dimensioned drawing

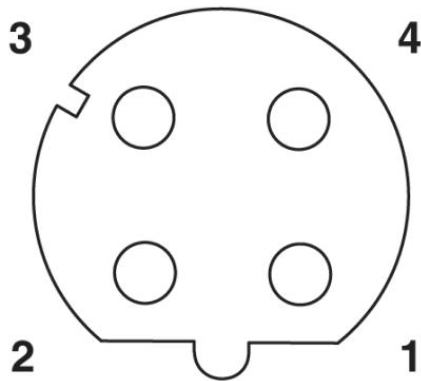


M12 flush-type connector



Panel cutout

Schematic diagram



Pin assignment M12 female connector, 4-pos., D-coded, female side

**Address**

PHOENIX CONTACT Inc., USA  
586 Fulling Mill Road  
Middletown, PA 17057, USA  
Phone (800) 888-7388  
Fax (717) 944-1625  
<http://www.phoenixcon.com>



© 2011 Phoenix Contact  
Technical modifications reserved;