

F6-10

Description:

The F6-10 Quick Pack small power transformer offers a significant reduction in size and weight over a standard transformer. This transformer can be used for a wide variety of applications. It is bobbin wound for reduced size and small operating space.

Electrical Specifications (@25C):

Maximum Power: 30.0VA

Input Voltage: 115VAC @50/60Hz

Output Voltage: 10VCT@3.0A

Construction:

Split bobbing non concentric winding eliminates costly electrostatic shielding. Termination is suitable for quick connects or soldering.

Safety:

UL Class B E53148

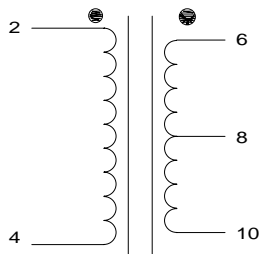


Dimensions:

| A | B | C | D | E | F | G |
|-------|-------|-------|-------|-------|----------|-------|
| 1.937 | 2.812 | 3.125 | 1.687 | 2.312 | .187 Dia | 1.062 |

- Notes:**
1. Units: inches.
 2. Terminal size: .187" X 0.21".
 3. Weight: 1.10 lbs

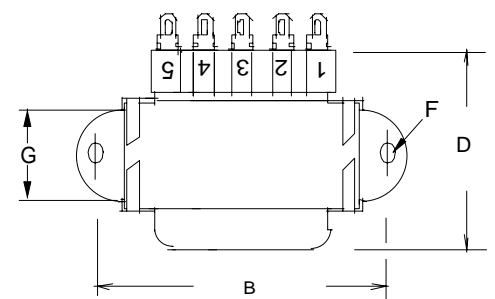
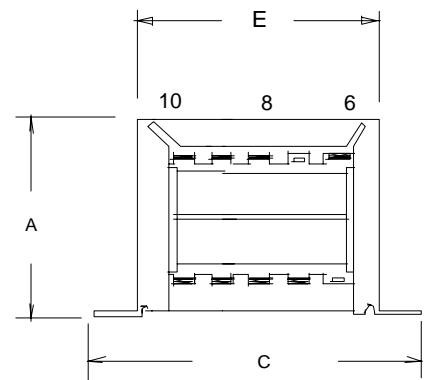
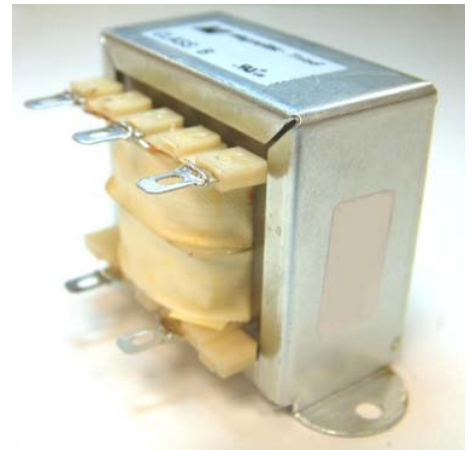
Schematic:



Input: 2 to 4

Output: 6 to 10

RoHS Compliance: As of manufacturing date February 2005, all standard products meet the requirements of 2002/95/EC, known as the RoHS initiative.



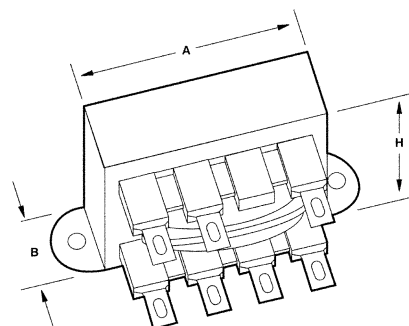
Power Transformers

Class B
UL Recognized



UL File E53148

Chassis Mount: Quick Pack™



:: Description

The Triad Quick Pack small power transformer series offers a significant reduction in size and weight for a given VA rating. These transformers are available in six sizes for a wide variety of applications. They are bobbin wound for reduced size and small operating space. Split bobbin nonconcentric winding eliminates costly electrostatic shielding. Termination is suitable for quick connects or soldering.

:: Specifications

Primary: 115 V, 115/230 V, 50/60 Hz

VA Range: 2.4 to 100.0

Output Rating Range: 10.0 V CT to 120.0 V CT

:: Quick Pack

| Section | Single Primary 115 V | Dual Primary 115/230 V | VA | Output Rating | Dimensions | | | | | | Wt. Lbs. |
|---------|-------------------------|---------------------------|------|-------------------|--------------------------------|--------------------------------|--------------------------------|--------------------------------|--------------------------------|--------------------------------|-------------|
| | | | | | L | W | H | A | B | ML | |
| A | F3-10 | • | 2.4 | 10.0V CT @ 0.25A | 2 ¹ / ₁₆ | 1 ¹ / ₁₆ | 1 ¹ / ₁₆ | 1 ³ / ₈ | ⁵ / ₁₆ | 1 ³ / ₄ | 0.25 |
| | F3-12 | • | | 12.6V CT @ 0.2A | | | | | | | |
| | F3-16 | • | | 16.0V CT @ 0.15A | | | | | | | |
| | F3-20 | • | | 20.0V CT @ 0.12A | | | | | | | |
| | F3-24 | • | | 24.0V CT @ 0.1A | | | | | | | |
| | F3-28 | • | | 28.0V CT @ 0.085A | | | | | | | |
| | F3-36 | • | | 36.0V CT @ 0.065A | | | | | | | |
| | F3-48 | • | | 48.0V CT @ 0.05A | | | | | | | |
| | F3-56 | • | | 56.0V CT @ 0.045A | | | | | | | |
| | F3-120 | • | | 120.0V CT @ 0.02A | | | | | | | |
| B | F4-10 | FD4-10 | 6.0 | 10.0V CT @ 0.6A | 2 ⁷ / ₈ | 1 ¹ / ₄ | 1 ³ / ₈ | 1 ¹ / ₁₆ | ¹ / ₁₆ | 2 | 0.44 |
| | F4-12 | FD4-12 | | 12.6V CT @ 0.5A | | | | | | | |
| | F4-16 | FD4-16 | | 16.0V CT @ 0.4A | | | | | | | |
| | F4-20 | FD4-20 | | 20.0V CT @ 0.3A | | | | | | | |
| | F4-24 | FD4-24 | | 24.0V CT @ 0.25A | | | | | | | |
| | F4-28 | FD4-28 | | 28.0V CT @ 0.2A | | | | | | | |
| | F4-36 | FD4-36 | | 36.0V CT @ 0.17A | | | | | | | |
| | F4-48 | FD4-48 | | 48.0V CT @ 0.125A | | | | | | | |
| | F4-56 | FD4-56 | | 56.0V CT @ 0.11A | | | | | | | |
| | F4-120 | FD4-120 | | 120.0V CT @ 0.05A | | | | | | | |
| C | F5-10 | FD5-10 | 12.0 | 10.0V CT @ 1.2A | 2 ⁵ / ₁₆ | 1 ³ / ₈ | 1 ³ / ₈ | 1 ⁵ / ₁₆ | ³ / ₁₆ | 2 ³ / ₈ | 0.70 |
| | F5-12 | FD5-12 | | 12.6V CT @ 1.0A | | | | | | | |
| | F5-16 | FD5-16 | | 16.0V CT @ 0.8A | | | | | | | |
| | F5-20 | FD5-20 | | 20.0V CT @ 0.6A | | | | | | | |
| | F5-24 | FD5-24 | | 24.0V CT @ 0.5A | | | | | | | |
| | F5-28 | FD5-28 | | 28.0V CT @ 0.42A | | | | | | | |
| | F5-36 | FD5-36 | | 36.0V CT @ 0.35A | | | | | | | |
| | F5-48 | FD5-48 | | 48.0V CT @ 0.25A | | | | | | | |
| | F5-56 | FD5-56 | | 56.0V CT @ 0.22A | | | | | | | |
| | F5-120 | FD5-120 | | 120.0V CT @ 0.1A | | | | | | | |
| D | F6-10 | FD6-10 | 30.0 | 10.0V CT @ 3.0A | 3 ¹ / ₄ | 1 ¹ / ₁₆ | 1 ⁵ / ₁₆ | 2 ⁷ / ₁₆ | 1 ¹ / ₁₆ | 2 ⁵ / ₁₆ | 1.10 |
| | F6-12 | FD6-12 | | 12.6V CT @ 2.5A | | | | | | | |
| | F6-16 | FD6-16 | | 16.0V CT @ 2.0A | | | | | | | |
| | F6-20 | FD6-20 | | 20.0V CT @ 1.5A | | | | | | | |
| | F6-24 | FD6-24 | | 24.0V CT @ 1.25A | | | | | | | |
| | F6-28 | FD6-28 | | 28.0V CT @ 1.1A | | | | | | | |
| | F6-36 | FD6-36 | | 36.0V CT @ 0.85A | | | | | | | |
| | F6-48 | FD6-48 | | 48.0V CT @ 0.63A | | | | | | | |
| | F6-56 | FD6-56 | | 56.0V CT @ 0.54A | | | | | | | |
| | F6-120 | FD6-120 | | 120.0V CT @ 0.25A | | | | | | | |
| E | F7-10 | FD7-10 | 56.0 | 10.0V CT @ 5.0A | 3 ¹ / ₁₆ | 1 ⁵ / ₁₆ | 2 ¹ / ₄ | 2 ¹ / ₁₆ | 1 ¹ / ₁₆ | 3 ³ / ₈ | 1.70 |
| | F7-12 | FD7-12 | | 12.6V CT @ 4.0A | | | | | | | |
| | F7-16 | FD7-16 | | 16.0V CT @ 3.5A | | | | | | | |
| | F7-20 | FD7-20 | | 20.0V CT @ 2.8A | | | | | | | |
| | F7-24 | FD7-24 | | 24.0V CT @ 2.4A | | | | | | | |
| | F7-28 | FD7-28 | | 28.0V CT @ 2.0A | | | | | | | |
| | F7-36 | FD7-36 | | 36.0V CT @ 1.5A | | | | | | | |
| | F7-48 | FD7-48 | | 48.0V CT @ 1.2A | | | | | | | |
| | F7-56 | FD7-56 | | 56.0V CT @ 1.0A | | | | | | | |
| | F7-120 | FD7-120 | | 120.0V CT @ 0.5A | | | | | | | |

CT = Center Tap Mounting hole size: ³/₁₆"

:: Quick Pack continued

| Section | Single Primary 115 V | Dual Primary 115/230 V | VA | Output Rating | Dimensions | | | | | | Wt. Lbs. |
|---------|-------------------------|---------------------------|-------|-------------------|--------------------------------|-------------------------------|--------------------------------|--------------------------------|--------------------------------|--------------------------------|-------------|
| | | | | | L | W | H | A | B | ML | |
| A | F8-10 | F8-10 | 100.0 | 10.0V CT @ 10.0A | 4 ¹ / ₃₂ | 2 ¹ / ₄ | 2 ¹ / ₁₆ | 3 ¹ / ₁₆ | 1 ¹ / ₁₆ | 3 ¹ / ₁₆ | 2.75 |
| | F8-12 | F8-12 | | 12.6V CT @ 8.0A | | | | | | | |
| | F8-16 | F8-16 | | 16.0V CT @ 6.25A | | | | | | | |
| | F8-20 | F8-20 | | 20.0V CT @ 5.0A | | | | | | | |
| | F8-24 | F8-24 | | 24.0V CT @ 4.0A | | | | | | | |
| | F8-28 | F8-28 | | 28.0V CT @ 3.6A | | | | | | | |
| | F8-36 | F8-36 | | 36.0V CT @ 2.8A | | | | | | | |
| | F8-48 | F8-48 | | 48.0V CT @ 2.0A | | | | | | | |
| | F8-56 | F8-56 | | 56.0V CT @ 1.8A | | | | | | | |
| | F8-120 | F8-120 | | 120.0V CT @ 0.85A | | | | | | | |

CT = Center Tap Mounting hole size: ¹/₁₆"

:: Outline Dimensions

Technical Notes

1. Hi-pot tested at 2,500 VRMS.
2. Class B insulation for maximum temperature of 130°C.
3. Terminal size is .187" x .021".

