



Key Features:

- Dual primary 115/230 VAC
- 50/60 Hz. operation
- Dual secondaries for series or parallel connections
- 4,000 V RMS Hipot test
- Class F insulation (155 degrees, C)
- Chassis mount (either two or four hole depending on size)
- Five VA sizes to choose from
- Dual bobbin construction
- Dual use terminals (solder lug or quick connect)
- C UL US recognized
- TUV Type Approved
- CE certified to IEC 950 (Approved to EN 60-742 Safety Isolating Transformers)

Part No.	VA	Secondary V AC (RMS)		Dimensions (Inches)			Weight (lbs)	Mounting Figure	Hole to Hole Mtg. Dim. (Inches)	
		Series	Parallel	W	D	H			W	D
185C10	25	10V C.T. @2.5A	5V@5.0A	2.81	2.22	2.31	1.25	A	2.37	-
185D10	43	10V C.T. @4.3A	5V@8.6A	3.12	2.22	2.68	1.75	A	2.81	-
185E10	80	10V C.T. @8.0A	5V@16.0A	2.5	2.61	3	2.5	B	2	2.18
185F10	130	10V C.T. @13.0A	5V@26.0A	2.81	3.07	3.37	4	B	2.25	2.5
185G10	175	10V C.T. @17.5A	5V@35.0A	3.12	3.20	3.75	5	B	2.5	2.5

185C12	25	12.6V C.T. @2.0A	6.3V@4.0A	2.81	2.22	2.31	1.25	A	2.37	-
185D12	43	12.6V C.T. @3.4A	6.3V@6.8A	3.12	2.22	2.68	1.75	A	2.81	-
185E12	80	12.6V C.T. @6.3A	6.3V@12.6A	2.5	2.61	3	2.5	B	2	2.18
185F12	130	12.6V C.T. @10.3A	6.3V@20.6A	2.81	3.07	3.37	4	B	2.25	2.5
185G12	175	12.6V C.T. @14.0A	6.3V@28.0A	3.12	3.20	3.75	5	B	2.5	2.5
185C16	25	16V C.T. @1.6A	8V@3.2A	2.81	2.22	2.31	1.25	A	2.37	-
185D16	43	16V C.T. @2.7A	8V@5.4A	3.12	2.22	2.68	1.75	A	2.81	-
185E16	80	16V C.T. @5.0A	8V@10.0A	2.5	2.61	3	2.5	B	2	2.18
185F16	130	16V C.T. @8.1A	8V@16.2A	2.81	3.07	3.37	4	B	2.25	2.5
185G16	175	16V C.T. @11.0A	8V@22.0A	3.12	3.20	3.75	5	B	2.5	2.5
185C20	25	20V C.T. @1.25A	10V@2.5A	2.81	2.22	2.31	1.25	A	2.37	-
185D20	43	20V C.T. @2.2A	10V@4.4A	3.12	2.22	2.68	1.75	A	2.81	-
185E20	80	20V C.T. @4.0A	10V@8.0A	2.5	2.61	3	2.5	B	2	2.18
185F20	130	20V C.T. @6.5A	10V@13.0A	2.81	3.07	3.37	4	B	2.25	2.5
185G20	175	20V C.T. @8.8A	10V@17.6A	3.12	3.20	3.75	5	B	2.5	2.5
185C24	25	24V C.T. @1.0A	12V@2.0A	2.81	2.22	2.31	1.25	A	2.37	-
185D24	43	24V C.T. @1.8A	12V@3.6A	3.12	2.22	2.68	1.75	A	2.81	-
185E24	80	24V C.T. @3.3A	12V@6.6A	2.5	2.61	3	2.5	B	2	2.18
185F24	130	24V C.T. @5.4A	12V@10.8A	2.81	3.07	3.37	4	B	2.25	2.5
185G24	175	24V C.T. @7.3A	12V@14.6A	3.12	3.20	3.75	5	B	2.5	2.5
185C28	25	28V C.T @0.9A	14V@1.86A	2.81	2.22	2.31	1.25	A	2.37	-
185D28	43	28V C.T. @1.5A	14V@3.0A	3.12	2.22	2.68	1.75	A	2.81	-
185E28	80	28V C.T. @2.8A	14V@5.6A	2.5	2.61	3	2.5	B	2	2.18
185F28	130	28V C.T. @4.6A	14V@9.2A	2.81	3.07	3.37	4	B	2.25	2.5
185G28	175	28V C.T. @6.25A	14V@12.5A	3.12	3.20	3.75	5	B	2.5	2.5
185C36	25	36V C.T. @0.7A	18V@1.4A	2.81	2.22	2.31	1.25	A	2.37	-
185D36	43	36V C.T. @1.2A	18V@2.4A	3.12	2.22	2.68	1.75	A	2.81	-
185E36	80	36V C.T. @2.2A	18V@4.4A	2.5	2.61	3	2.5	B	2	2.18
185F36	130	36V C.T. @3.6A	18V@7.2A	2.81	3.07	3.37	4	B	2.25	2.5
185G36	175	36V C.T. @4.8A	18V@9.6A	3.12	3.20	3.75	5	B	2.5	2.5
185C230	25	230V C.T. @0.11A	115V@0.22A	2.81	2.22	2.31	1.25	A	2.37	-
185D230	43	230V C.T. @0.19A	115V@0.38A	3.12	2.22	2.68	1.75	A	2.81	-
185E230	80	230V C.T. @0.35A	115V@0.7A	2.5	2.61	3	2.5	B	2	2.18
185F230	130	230V C.T. @0.57A	115V@1.14A	2.81	3.07	3.37	4	B	2.25	2.5
185G230	175	230V C.T. @0.76A	115V@1.52A	3.12	3.20	3.75	5	B	2.5	2.5

Mechanical Data:

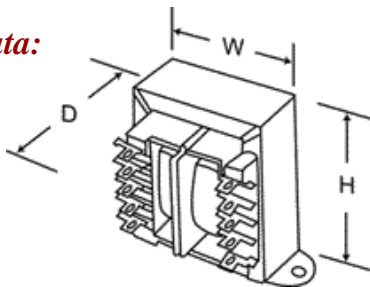


Figure A

Mounting Hole Size (2) = 0.187"

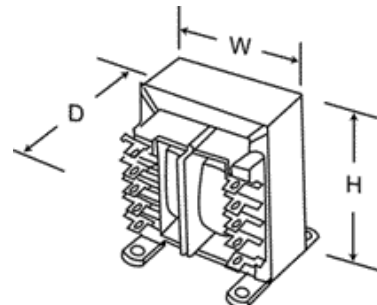
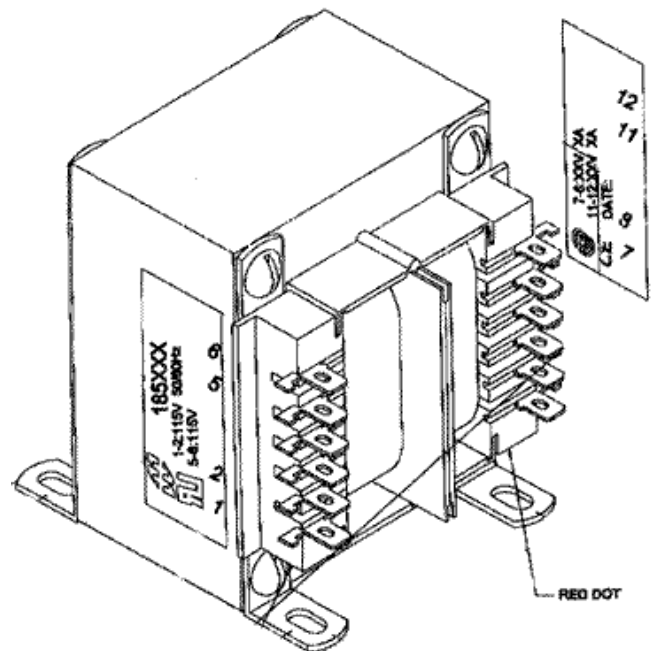
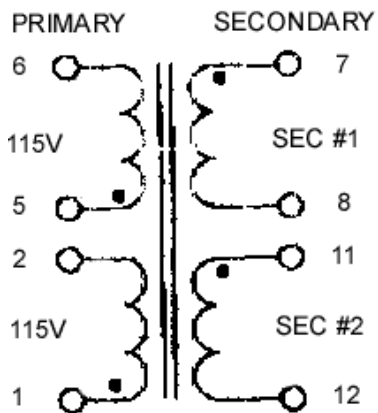


Figure B

Mounting Hole Size (4) = 0.230 x 0.375"

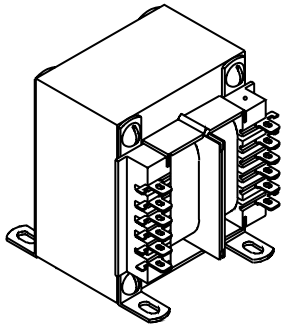
VA Size	Figure	Terminal Lug Data	
		Width	Thickness
25 & 43	A	0.187"	0.020"
80, 130 & 175	B	0.25"	0.032"

Schematic Data:





HAMMOND
MANUFACTURING™



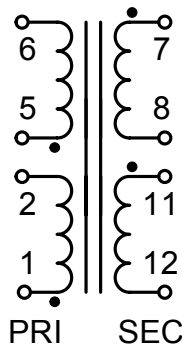
**POWER - CHASSIS MOUNT
GLOBAL USE
185 SERIES**

Key Features:

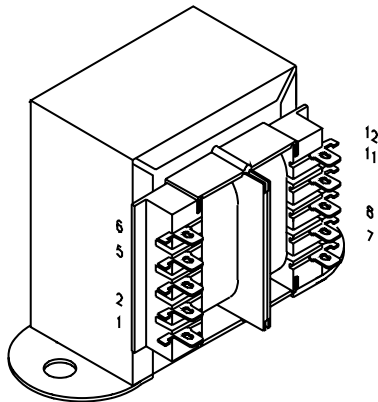
- Dual primary 115/230 VAC
- 50/60 Hz. operation
- Dual secondaries for series or parallel connections
- 4,000 V RMS Hipot test
- Class F insulation (155 degrees, C)
- Chassis mount
- 5 different VA sizes to choose from
- Dual bobbin construction
- Dual use terminals (solder lug or quick connect)
- c UL us recognized
- TUV Type Approved
- CE certified to IEC 950 (Approved to EN 60-742 Safety Isolating Transformers)

Part No.	VA	Secondary VAC (R.M.S.)	
		Series	Parallel
185C10	25	10V C.T. @ 2.5A	5V @ 5.0A
185D10	43	10V C.T. @ 4.3A	5V @ 8.6A
185E10	80	10V C.T. @ 8.0A	5V @ 16.0A
185F10	130	10V C.T. @ 13.0A	5V @ 26.0A
185G10	175	10V C.T. @ 17.5A	5V @ 35.0A
185C12	25	12.6V C.T. @ 2.0A	6.3V @ 4.0A
185D12	43	12.6V C.T. @ 3.4A	6.3V @ 6.8A
185E12	80	12.6V C.T. @ 6.3A	6.3V @ 12.6A
185F12	130	12.6V C.T. @ 10.3A	6.3V @ 20.6A
185G12	175	12.6V C.T. @ 14.0A	6.3V @ 28.0A
185C16	25	16V C.T. @ 1.6A	8V @ 3.2A
185D16	43	16V C.T. @ 2.7A	8V @ 5.4A
185E16	80	16V C.T. @ 5.0A	8V @ 10.0A
185F16	130	16V C.T. @ 8.1A	8V @ 16.2A
185G16	175	16V C.T. @ 11.0A	8V @ 22.0A
185C20	25	20V C.T. @ 1.25A	10V @ 2.5A
185D20	43	20V C.T. @ 2.2A	10V @ 4.4A
185E20	80	20V C.T. @ 4.0A	10V @ 8.0A
185F20	130	20V C.T. @ 6.5A	10V @ 13.0A
185G20	175	20V C.T. @ 8.8A	10V @ 17.6A
185C24	25	24V C.T. @ 1.0A	12V @ 2.0A
185D24	43	24V C.T. @ 1.8A	12V @ 3.6A
185E24	80	24V C.T. @ 3.3A	12V @ 6.6A
185F24	130	24V C.T. @ 5.4A	12V @ 10.8A
185G24	175	24V C.T. @ 7.3A	12V @ 14.6A
185C28	25	28V C.T. @ 0.9A	14V @ 1.86A
185D28	43	28V C.T. @ 1.5A	14V @ 3.0A
185E28	80	28V C.T. @ 2.8A	14V @ 5.6A
185F28	130	28V C.T. @ 4.6A	14V @ 9.2A
185G28	175	28V C.T. @ 6.25A	14V @ 12.5A
185C36	25	36V C.T. @ 0.7A	18V @ 1.4A
185D36	43	36V C.T. @ 1.2A	18V @ 2.4A
185E36	80	36V C.T. @ 2.2A	18V @ 4.4A
185F36	130	36V C.T. @ 3.6A	18V @ 7.2A
185G36	175	36V C.T. @ 4.8A	18V @ 9.6A
185C230	25	230V C.T. @ 0.11A	115V @ 0.22A
185D230	43	230V C.T. @ 0.19A	115V @ 0.38A
185E230	80	230V C.T. @ 0.35A	115V @ 0.7A
185F230	130	230V C.T. @ 0.57A	115V @ 1.14A
185G230	175	230V C.T. @ 0.76A	115V @ 1.52A

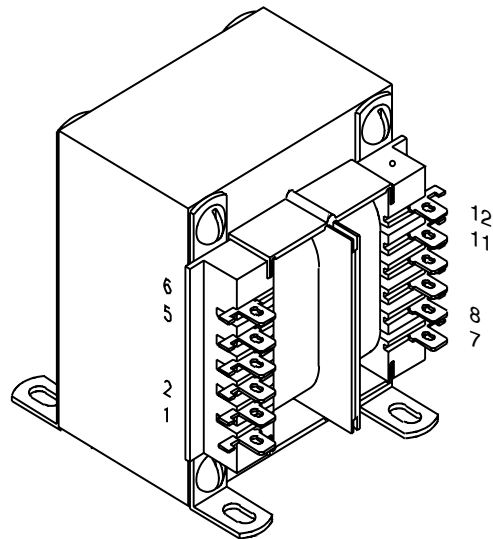
Transformer Schematic



Connection Information 185 Series Transformers



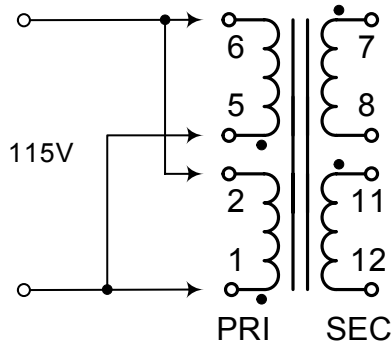
25 & 43 VA Sizes



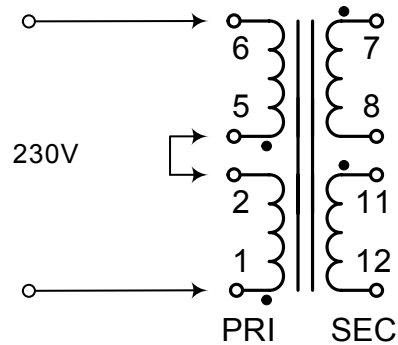
80, 130 & 175 VA Sizes

Primary Connections - 185 Series Transformers

Primary Wiring for 115V
(Parallel Connection)

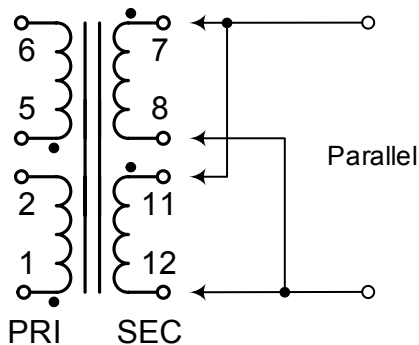


Primary Wiring for 230V
(Series Connection)



Secondary Connections - 185 Series Transformers

Secondary Wiring
(Parallel Connection)



Secondary Wiring
(Series Connection)

