

### **Key Features:**

- Economical single primary 115 VAC, 60 Hz. (or 117 50/60 Hz. see table) - (If you require 117/234 or 50/60 Hz. operation or dual secondaries check out our versatile [266 series](#))
- All secondaries center tapped, VAC (RMS)
- Open style, channel bracket, two hole chassis mount.
- Minimum 6" long leads.
- Dual bobbin design - no electrostatic shield required.
- We use Class B insulation (130 degrees, C) for extra protection - UL listed as a Class A (105 degree, C) design
- Hi-Pot test of 2,000V RMS.
- UL listed.
- CSA certified.

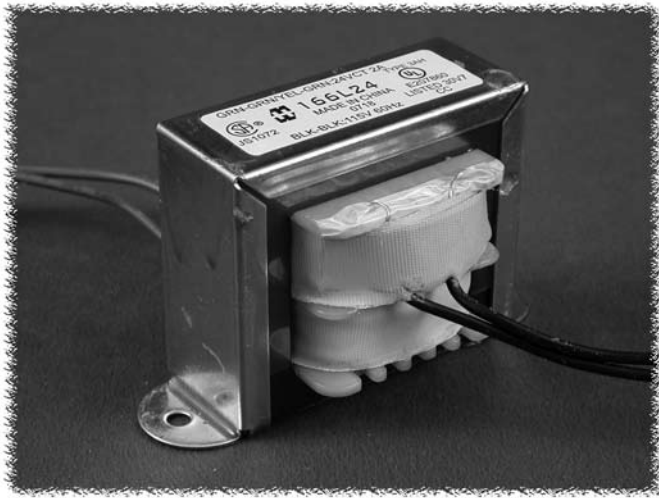
Part No.	VA	Primary (VAC)	Secondary (R.M.S.)		Dim. Ref.
			VAC	Amps	
<b>166F2</b>	0.63	115V 60 Hz.	2.5 C.T.	0.25	C2H
<b>166G2</b>	1.25	115V 60 Hz.	2.5 C.T.	0.5	C2H
<b>166J2</b>	2.5	115V 60 Hz.	2.5 C.T.	1	C3H
<b>166K2</b>	3.75	115V 60 Hz.	2.5 C.T.	1.5	C4H
<b>166L2</b>	6.25	115V 60 Hz.	2.5 C.T.	2.5	C6H
<b>166M2</b>	7.5	115V 60 Hz.	2.5 C.T.	3	C6H
<b>166Q2</b>	15	115V 60 Hz.	2.5 C.T.	6	C8H
<b>166S2</b>	25	115V 60 Hz.	2.5 C.T.	10	C12H
<b>166F5</b>	1.25	115V 60 Hz.	5 C.T.	0.25	C2H
<b>166G5</b>	2.5	115V 60 Hz.	5 C.T.	0.5	C3H
<b>166J5</b>	5	115V 60 Hz.	5 C.T.	1	C5H
<b>166L5</b>	10	115V 60 Hz.	5 C.T.	2	C7H
<b>166MS</b>	15	115V 60 Hz.	5 C.T.	3	C9H
<b>166R5</b>	40	115V 60 Hz.	5 C.T.	8	C12H
<b>166RS</b>	40	115V 60 Hz.	5 C.T.	8	C16H

<b>166S5</b>	50	115V 60 Hz.	5 C.T.	10	C13H
<b>166U5</b>	75	115V 60 Hz.	5 C.T.	15	C14H
<b>166V5</b>	100	115V 60 Hz.	5 C.T.	20	C16H
<b>166E6</b>	0.95	115V 60 Hz.	6.3 C.T.	0.15	C2H
<b>166F6</b>	1.89	115V 60 Hz.	6.3 C.T.	0.3	C3H
<b>166G6</b>	3.78	115V 60 Hz.	6.3 C.T.	0.6	C4H
<b>166J6</b>	6.3	115V 60 Hz.	6.3 C.T.	1	C6H
<b>166K6</b>	7.56	115V 60 Hz.	6.3 C.T.	1.2	C6H
<b>166K6B</b>	7.56	117V 50/60 Hz.	6.3 C.T.	1.2	C6H
<b>166L6</b>	12.6	115V 60 Hz.	6.3 C.T.	2	C7H
<b>166M6</b>	18.9	117V 50/60 Hz.	6.3 C.T.	3	C10H
<b>166N6</b>	25.2	115V 60 Hz.	6.3 C.T.	4	C9H
<b>166Q6</b>	37.8	115V 60 Hz.	6.3 C.T.	6	C12H
<b>166S6</b>	63	115V 60 Hz.	6.3 C.T.	10	C14H
<b>166G7</b>	4.9	115V 60 Hz.	7 C.T.	0.7	C5H
<b>166U7</b>	112.5	115V 60 Hz.	7.5 C.T.	15	C16H
<b>166G8</b>	4	115V 60 Hz.	8 C.T.	0.5	C4H
<b>166J8</b>	8.5	115V 60 Hz.	8.5 C.T.	1	C6H
<b>166L8</b>	17	115V 60 Hz.	8.5 C.T.	2	C8H
<b>166M8</b>	25.5	115V 60 Hz.	8.5 C.T.	3	C9H
<b>166N8</b>	34	115V 60 Hz.	8.5 C.T.	4	C10H
<b>166G9</b>	4.5	115V 60 Hz.	9 C.T.	0.5	C4H
<b>166F10</b>	3	115V 60 Hz.	10 C.T.	0.3	C3H
<b>166G10</b>	5	115V 60 Hz.	10 C.T.	0.5	C5H
<b>166J10</b>	10	115V 60 Hz.	10 C.T.	1	C7H
<b>166L10</b>	20	115V 60 Hz.	10 C.T.	2	C9H
<b>166M10</b>	30	115V 60 Hz.	10 C.T.	3	C10H
<b>166N10</b>	40	115V 60 Hz.	10 C.T.	4	C12H
<b>166P10</b>	50	115V 60 Hz.	10 C.T.	5	C13H
<b>166R10</b>	80	115V 60 Hz.	10 C.T.	8	C15H
<b>166S10</b>	100	115V 60 Hz.	10 C.T.	10	C16H
<b>166P11</b>	55	115V 60 Hz.	11 C.T.	5	C13H
<b>166S11</b>	110	115V 60 Hz.	11 C.T.	10	C16H
<b>166C12</b>	0.63	115V 60 Hz.	6.3/12.6 C.T.	.1/.05	C2H
<b>166E12</b>	1.8	115V 60 Hz.	12 C.T.	0.15	C3H
<b>166F12B</b>	3.6	115V 60 Hz.	12 C.T.	0.3	C4H
<b>166F12C</b>	4.2	115V 60 Hz.	12 C.T.	0.35	C4H
<b>166GD12</b>	8.4	117V 50/60 Hz.	12	0.7	C7H
<b>166JA12</b>	12	115V 60 Hz.	12 C.T.	1	C7H
<b>166K12</b>	14.4	115V 60 Hz.	12 C.T.	1.2	C8H
<b>166JB12</b>	14.4	117V 50/60 Hz.	12 C.T.	1.2	C9H
<b>166LA12</b>	24	115V 60 Hz.	12 C.T.	2	C9H
<b>166N12B</b>	48	117V 50/60 Hz.	12 C.T.	4	C12H
<b>166F12</b>	3.78	115V 60 Hz.	12.6 C.T.	0.3	C4H
<b>166G12</b>	6.3	115V 60 Hz.	12.6 C.T.	0.5	C6H
<b>166J12</b>	12.6	115V 60 Hz.	12.6 C.T.	1	C7H
<b>166K12B</b>	18.9	117V 50/60 Hz.	12.6 C.T.	1.5	C10H

<b>166L12B</b>	25.2	117V 50/60 Hz.	12.6 C.T.	2	C10H
<b>166L12</b>	31.5	115V 60 Hz.	12.6 C.T.	2.5	C10H
<b>166M12</b>	37.8	117V 50/60 Hz.	12.6 C.T.	3	C13H
<b>166N12</b>	50.4	115V 60 Hz.	12.6 C.T.	4	C13H
<b>166Q12</b>	75.6	115V 60 Hz.	12.6 C.T.	6	C14H
<b>166R12</b>	100.8	115V 60 Hz.	12.6 C.T.	8	C16H
<b>166E14</b>	2.1	115V 60 Hz.	14 C.T.	0.15	C3H
<b>166G14</b>	7	115V 60 Hz.	14 C.T.	0.5	C6H
<b>166J14</b>	14	115V 60 Hz.	14 C.T.	1	C7H
<b>166L14</b>	28	115V 60 Hz.	14 C.T.	2	C10H
<b>166Q14</b>	84	115V 60 Hz.	14 C.T.	6	C15H
<b>166F16</b>	4	115V 60 Hz.	16 C.T.	0.25	C4H
<b>166G16</b>	8	115V 60 Hz.	16 C.T.	0.50	C6H
<b>166J16</b>	16	115V 60 Hz.	16 C.T.	1	C8H
<b>166L16</b>	35.2	115V 60 Hz.	16 C.T.	2.2	C10H
<b>166M16</b>	48	115V 60 Hz.	16 C.T.	3	C13H
<b>166B18</b>	0.54	115V 60 Hz.	9/18 C.T.	.06/.03	C2H
<b>166E18</b>	5.4	115V 60 Hz.	18 C.T.	0.3	C5H
<b>166K18</b>	27	115V 60 Hz.	18 C.T.	1.5	C9H
<b>166M18</b>	54	115V 60 Hz.	18 C.T.	3	C13H
<b>166P18</b>	90	115V 60 Hz.	18 C.T.	5	C15H
<b>166D20</b>	2	115V 60 Hz.	20 C.T.	0.1	C3H
<b>166E20</b>	3	115V 60 Hz.	20 C.T.	0.15	C3H
<b>166F20</b>	6	115V 60 Hz.	20 C.T.	0.3	C5H
<b>166G20</b>	10	115V 60 Hz.	20 C.T.	0.5	C7H
<b>166J20</b>	20	115V 60 Hz.	20 C.T.	1	C9H
<b>166L20</b>	40	115V 60 Hz.	20 C.T.	2	C11H
<b>166L22</b>	44	115V 60 Hz.	22 C.T.	2	C13H
<b>166A24</b>	0.63	115V 60 Hz.	12.6/25.2 C.T.	.05/.025	C2H
<b>166C24</b>	2.04	115V 60 Hz.	24 C.T.	0.085	C3H
<b>166EA24</b>	4.8	115V 60 Hz.	24 C.T.	0.2	C5H
<b>166FB24</b>	9.6	117V 50/60 Hz.	24 C.T.	0.4	C7H
<b>166GD24B</b>	16.8	117V 50/60 Hz.	24 C.T.	0.7	C9H
<b>166J24</b>	24	117V 50/60 Hz.	24 C.T.	1	C10H
<b>166JB24</b>	24	115V 60 Hz.	24 C.T.	1	C9H
<b>166L24</b>	48	115V 60 Hz.	24 C.T.	2	C13H
<b>166M24</b>	72	115V 60 Hz.	24 C.T.	3	C14H
<b>166N24</b>	96	115V 60 Hz.	24 C.T.	4	C16H
<b>166D25</b>	2.5	115V 60 Hz.	25 C.T.	0.1	C3H
<b>166E25</b>	3.75	115V 60 Hz.	25 C.T.	0.15	C4H
<b>166F25</b>	7.5	115V 60 Hz.	25 C.T.	0.3	C6H
<b>166G25</b>	12.5	115V 60 Hz.	25 C.T.	0.5	C7H
<b>166J25</b>	25	115V 60 Hz.	25 C.T.	1	C9H
<b>166J25B</b>	25	117V 50/60 Hz.	25 C.T.	1	C10H
<b>166K25</b>	37.5	115V 60 Hz.	25 C.T.	1.5	C11H
<b>166L25</b>	50	115V 60 Hz.	25 C.T.	2	C13H
<b>166M25</b>	75	115V 60 Hz.	25 C.T.	3	C14H

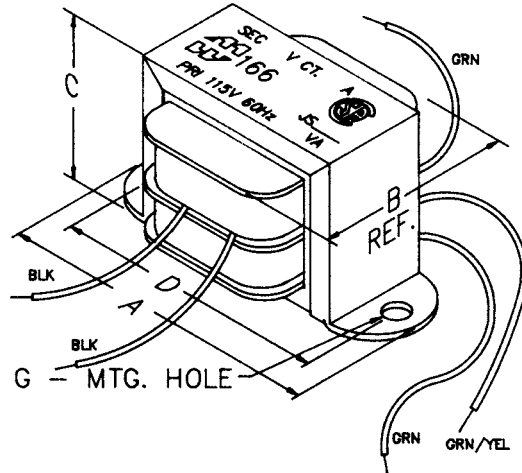
# Filament & L.V. Rectifier Use - Single Primary (166 Series)

Power



## OPEN STYLE FILAMENT & L.V. RECTIFIER USE TRANSFORMERS

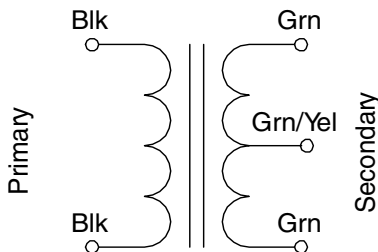
- Economical single primary 115 VAC, 60 Hz. or 117 VAC, 50/60 Hz. (see tables). If you require dual primary 117/234 operation, see our 266 series)
- All secondaries center tapped, VAC (RMS)
- Open style, channel bracket, two hole chassis mount.
- Minimum 6" long leads.
- Dual bobbin design - no electrostatic shield required.
- We use Class B insulation (130 degrees, C) for extra protection - UL listed as a Class A (105 degree, C) design.
- Hi-Pot test of 2,000V RMS.
- UL listed.
- CSA certified.



### Dimension Table "C" Mount

Mtg. Style	Dimensions (Inches)				Mtg. Hole (Inches)
	A	B	C	D	
C0H	1.35	0.69	0.69	1.06	0.125
C1H	1.63	0.88	0.81	1.38	0.125
C2H	2.06	1.25	1.19	1.75	0.187
C3H	2.06	1.38	1.19	1.75	0.187
C4H	2.38	1.38	1.38	2.00	0.187
C5H	2.38	1.50	1.38	2.00	0.187
C6H	2.81	1.50	1.69	2.38	0.187
C7H	2.81	1.63	1.69	2.38	0.187
C8H	3.25	1.63	2.00	2.81	0.187
C9H	3.25	1.75	2.00	2.81	0.187
C10H	3.25	2.00	2.00	2.81	0.187
C11H	3.69	1.88	2.31	3.13	0.187
C12H	3.69	2.00	2.31	3.13	0.187
C13H	3.69	2.13	2.31	3.13	0.187
C14H	4.03	2.25	2.63	3.56	0.187
C15H	4.03	2.50	2.63	3.56	0.187
C16H	4.50	2.50	3.00	4.00	0.203

### Transformer Schematic

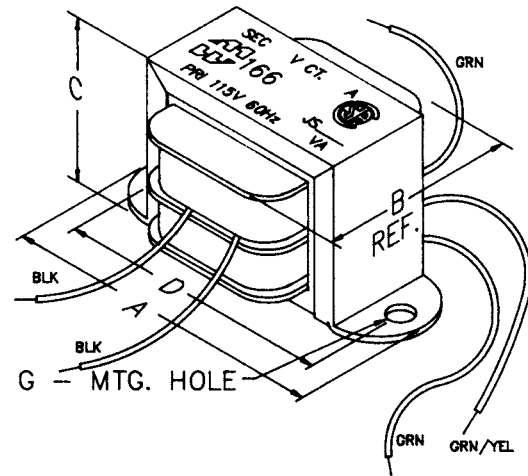




# Filament & L.V. Rectifier Use - Single Primary (166 Series)

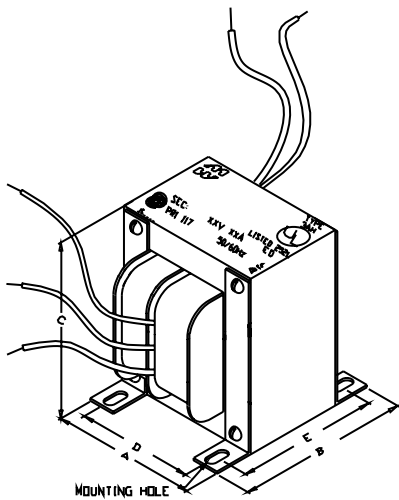
Power

Part No.	VA	Primary	Secondary (R.M.S.)		Dim Ref.
			VAC	Amps	
166J28	28	115 V 60 Hz.	28 C.T.	1	C10H
166L28	56	115 V 60 Hz.	28 C.T.	2	C13H
166E30	4.5	115 V 60 Hz.	30 C.T.	0.15	C4H
166F30	7.5	115 V 60 Hz.	30 C.T.	0.25	C6H
166G30	15	115 V 60 Hz.	30 C.T.	0.5	C8H
166J33	33	115 V 60 Hz.	33 C.T.	1	C10H
166K35	52.5	115 V 60 Hz.	35 C.T.	1.5	C13H
166E36	5.4	115 V 60 Hz.	36 C.T.	0.15	C5H
166F36	10.8	115 V 60 Hz.	36 C.T.	0.3	C7H
166G36	18	115 V 60 Hz.	36 C.T.	0.5	C8H
166J36	36	115 V 60 Hz.	36 C.T.	1	C11H
166L42	84	115 V 60 Hz.	42 C.T.	2	C15H
166E44	6.6	115 V 60 Hz.	44 C.T.	0.15	C6H
166F44	11	115 V 60 Hz.	44 C.T.	0.25	C7H
166G44	22	115 V 60 Hz.	44 C.T.	0.5	C9H
166J44	44	115 V 60 Hz.	44 C.T.	1	C12H
166M48	144	117 V 50/60 Hz.	48 C.T.	3	B1H
166C50	3.75	115 V 60 Hz.	50 C.T.	0.075	C4H
166F50	15	115 V 60 Hz.	50 C.T.	0.3	C8H
166G50	25	115 V 60 Hz.	50 C.T.	0.5	C9H
166J50	50	115 V 60 Hz.	50 C.T.	1	C13H
166L50	100	115 V 60 Hz.	50 C.T.	2	C16H
166G60	30	115 V 60 Hz.	60 C.T.	0.5	C10H
166M72	216	117 V 50/60 Hz.	72 C.T.	3	B2H
166G80	40	115 V 60 Hz.	80 C.T.	0.5	C11H
166G100	50	115 V 60 Hz.	100 C.T.	0.5	C13H
166F120	36	115 V 60 Hz.	120 C.T.	0.3	C11H



Dimension Table "C" Mount

Mtg. Style	Dimensions (Inches)				Mtg. Hole (Inches)
	A	B	C	D	
C0H	1.35	0.69	0.69	1.06	0.125
C1H	1.63	0.88	0.81	1.38	0.125
C2H	2.06	1.25	1.19	1.75	0.187
C3H	2.06	1.38	1.19	1.75	0.187
C4H	2.38	1.38	1.38	2.00	0.187
C5H	2.38	1.50	1.38	2.00	0.187
C6H	2.81	1.50	1.69	2.38	0.187
C7H	2.81	1.63	1.69	2.38	0.187
C8H	3.25	1.63	2.00	2.81	0.187
C9H	3.25	1.75	2.00	2.81	0.187
C10H	3.25	2.00	2.00	2.81	0.187
C11H	3.69	1.88	2.31	3.13	0.187
C12H	3.69	2.00	2.31	3.13	0.187
C13H	3.69	2.13	2.31	3.13	0.187
C14H	4.03	2.25	2.63	3.56	0.187
C15H	4.03	2.50	2.63	3.56	0.187
C16H	4.50	2.50	3.00	4.00	0.203



Dimension Table "B" Mount

Mtg. Style	Dimensions (Inches)					Mtg. Slot (Inches)
	A	B	C	D	E	
B1H	3.44	2.98	4.13	2.75	2.38	0.203 x 0.375
B2H	3.75	3.56	4.50	3.00	3.00	0.203 x 0.375

