



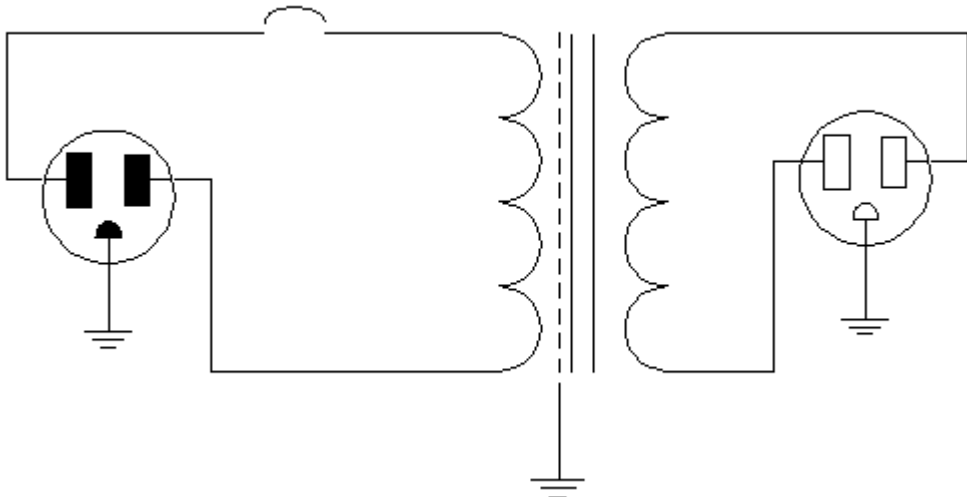
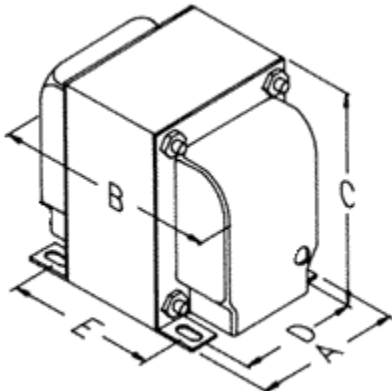
**Key Features:**

- Primary 115VAC, 50/60 Hz., Secondary 115VAC
- Provides circuit isolation.
- Electrostatic shield between primary & secondary.
- Hi-pot tested to 2 KV RMS.
- Circuit breaker in primary.
- Standard 3-wire, grounded plug & receptacle.
- Input (primary) connected to 5 foot long cord & standard North American plug (NEMA 5-15P).
- Output (secondary) connected to 1 foot long 3-wire, standard North American grounded receptacle (NEMA 5-15R).
- North American Mark of Safety - C UL & UL listed (File #E211544)
- **Remember** - These units do NOT convert line frequency

**115VAC to 115VAC**

Cat. No.	Capacity VA	Dimensions					Wt. Lbs.
		A	B	C	D	E	
<b>171A</b>	<b>100</b>	3.80	5.06	4.68	3.00	3.38	6.5
<b>171B</b>	<b>200</b>	3.80	5.56	4.68	3.00	3.88	8.0
<b>171C</b>	<b>300</b>	3.80	6.06	4.68	3.00	4.38	11.0
<b>171E</b>	<b>500</b>	3.80	7.06	4.68	3.00	5.38	14.0
<b>171F</b>	<b>750</b>	4.40	8.70	5.39	3.50	6.78	30.0
<b>171G</b>	<b>1000</b>	5.28	7.75	6.38	4.25	4.38	34.5

**Mechanical & Schematic Data:**



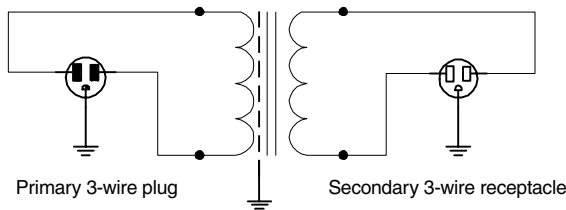
# Straight Isolation - Plug In (171 Series)

Line



## LINE ISOLATION PLUG & RECEPTACLE TRANSFORMERS (115V to 115V)

- Primary 115VAC, 50/60 Hz., Secondary 115VAC
- Provides circuit isolation.
- Electrostatic shield between primary & secondary.
- Hi-pot tested to 2 KV RMS.
- Circuit breaker in primary.
- Standard 3-wire, grounded plug & receptacle.
- Input (primary) connected to 5 foot long cord & standard North American plug (NEMA 5-15P).
- Output (secondary) connected to 1 foot long 3-wire, standard North American grounded receptacle (NEMA 5-15R).
- North American Mark of Safety - C UL & UL listed (File #E211544)
- **Remember** - These units do NOT convert line frequency



Part No.	Capacity VA	Dimensions (Inches)					Wt. Lbs.
		A	B	C	D	E	
171A	100	3.80	5.06	4.68	3.00	3.38	6.5
171B	200	3.80	5.56	4.68	3.00	3.88	8
171C	300	3.80	6.06	4.68	3.00	4.38	11
171E	500	3.80	7.06	4.68	3.00	5.38	14
171F	750	4.40	8.70	5.39	3.50	6.78	30
171G	1000	5.28	7.75	6.38	4.25	4.38	34.5

