

**ISOLATION - Step Down
Plug - In
(230VAC - 115VAC)**



Old Inventory



NEW Production

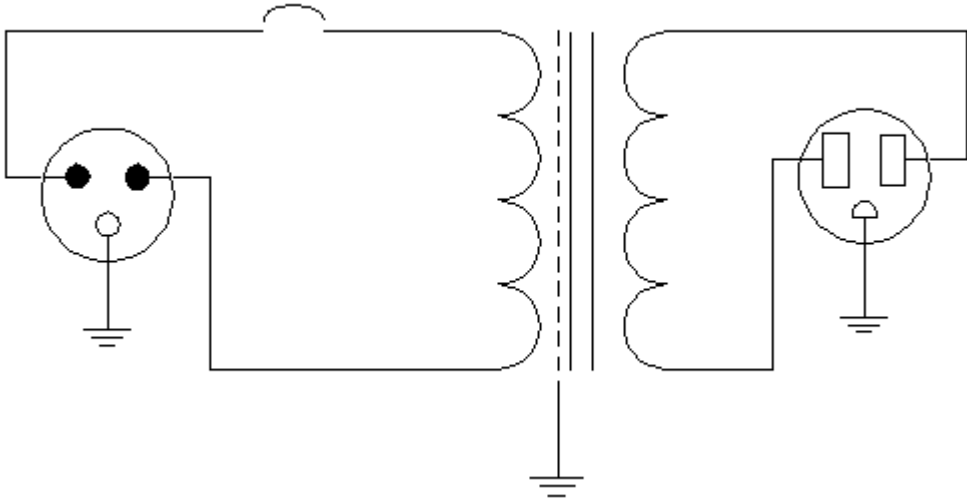
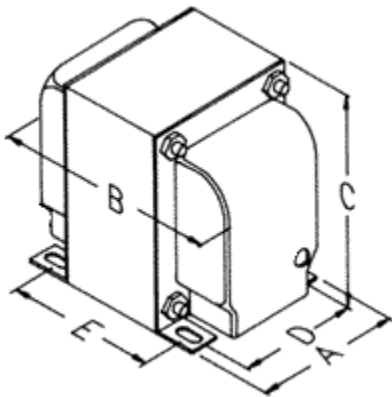
Key Features:

- Primary 230VAC, 50/60 Hz. Secondary 115VAC
- Circuit breaker in primary.
- Provides circuit isolation & steps down primary voltage.
- Hi-pot tested to 2 KV RMS.
- Electrostatic shield between primary & secondary.
- Input (primary) connected to a 5 foot long cord & European (Schuko) grounded plug - **NOTE: old inventory only.**
- Due to U.L changes in 2007 - NEW production with the European (Shuko) parts would no longer be U.L. listed. Therefore, we have replaced this input plug with a standard North American 3-wire, 250V plug (NEMA 6-15P).
- Output (secondary) connected to a 1 foot long cord & standard North American 3-wire grounded receptacle (NEMA 5-15R).
- North American Mark of Safety - C UL & UL listed (File #E211544)
- **Remember** - These units do NOT convert line frequency

230VAC to 115VAC

Cat. No.	Capacity VA	Dimensions					Wt. Lbs.
		A	B	C	D	E	
172A	100	3.80	5.06	4.68	3.00	3.38	6.5
172B	200	3.80	5.56	4.68	3.00	3.88	8.5
172D	500	3.80	7.06	4.68	3.00	5.38	18.5
172E	750	4.40	8.70	5.39	3.50	6.78	30.0
172F	1000	5.28	7.75	6.38	4.25	4.38	34.5

Mechanical & Schematic Data (172 Series):



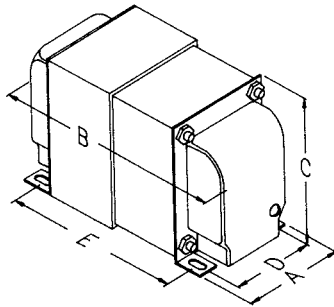
Isolation - Step Down - Plug In (172 & 289 Series)

Line



LINE ISOLATION - STEP DOWN PLUG-IN TRANSFORMERS (230V to 115V)

- Primary 230VAC, 50/60 Hz. Secondary 115VAC
- Circuit breaker in primary.
- Provides circuit isolation & steps down primary voltage.
- Hi-pot tested to 2 KV RMS.
- Electrostatic shield between primary & secondary.
- Input (primary) connected to a 5 foot long cord & North American 250V, 3-wire grounded plug (NEMA 6-15P).
- Output (secondary) connected to a 1 foot long cord & standard North American 125V, 3-wire grounded receptacle (NEMA 5-15R).
- North American Mark of Safety - C UL & UL listed (File #E211544).
- **Remember** - These units do NOT convert line frequency



Part No.	Capacity VA	Dimensions (Inches)					Wt. Lbs.
		A	B	C	D	E	
172A	100	3.80	5.06	4.68	3.00	3.38	6.5
172B	200	3.80	5.56	4.68	3.00	3.88	8.5
172D	500	3.80	7.06	4.68	3.00	5.38	18.5
172E	750	4.40	8.70	5.39	3.50	6.78	30.0
172F	1000	5.28	7.75	6.38	4.25	4.38	34.5



LINE ISOLATION - TOROIDAL STEP DOWN - PLUG IN (240V to 120V)

- Primary 240VAC, 50/60 Hz., Secondary 120VAC.
- Provides circuit isolation.
- Toroidal transformer for high isolation, low noise, light weight, cool operation and low profile.
- World wide applications, 50 or 60 Hz. operation, step down (240VAC to 120 VAC).
- Standard 3-wire, grounded plug (for use with adaptors for proper grounding).
- Input (primary) connected to a 5 foot long cord & standard 250V 2 pole, 3 wire - North American plug (NEMA 6-15P).
- Output (secondary) connected to two standard 125V, 3-wire grounded receptacles (NEMA 5-15R).
- Features include ventilated black steel case, rocker lighted on-off switch & circuit breaker protected output.
- North American Mark of Safety - C UL & UL listed (File #E211544)
- **Remember** - These units do NOT convert line frequency

Part No.	Capacity VA	# of Outlets	Dimensions (Inches)		
			Length	Width	Height
289CT	250	2	8.25	6.00	4.00
289DT	500	2	9.00	6.00	4.00
289ET	750	2	10.25	7.50	5.00
289FT	1000	2	10.25	7.50	5.00
289GT	1500	2	12.50	9.00	5.00

