



Bulkhead Jacks



VIDEO

NBB75DFGB

The bulkhead connector offers a true 75 Ω design for serial and digital (HD) signals. The machined brass connector body provides an extremely rugged and non-abrasive connection over long term use and is in addition recessed and therefore well protected in a D-shape housing (audio industry standard).

Grounded bulkhead jack, feedthrough in black D-shape housing

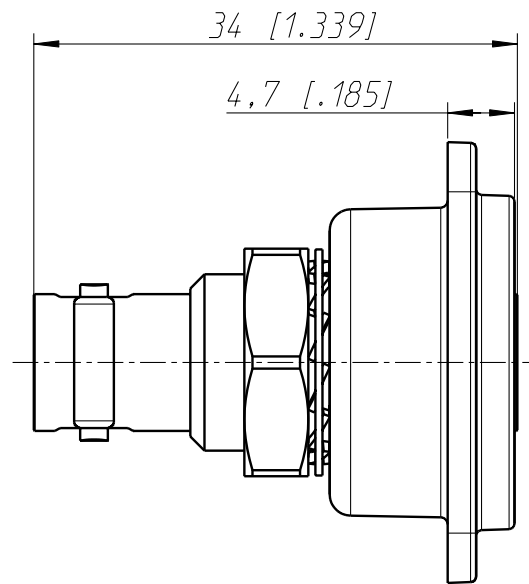
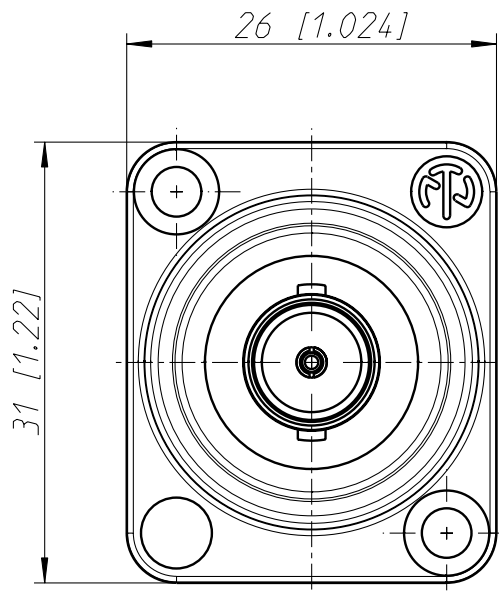


Features & Benefits

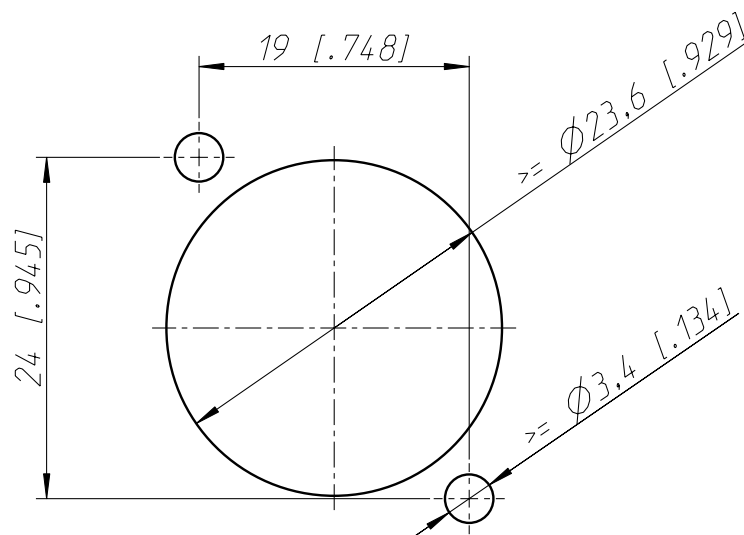
- Gold plated center contact
- True 75 Ω design meets the stringent HD requirements
- Grounded panel mount
- Standard D-shape housing
- Recessed bulkhead jack
- Color coding possible

ACCESSORIES





*Frontplattenausschnitt
Panel cut out*



Allgemeintoleranzen ISO 2768-m	Werkstoff -	Massstab: 2:1 (A4)	Datum	Name
			Gezeichnet	11.12.02
Zeichnung urheberrechtlich geschuetzt (DIN 34) (C)	-	-	Freigegeben	-
			Geaendert	-
Benennung		Aend.-Nr.		Aend.-Index
NBB75DFG		-		A
BULKHEAD FEED THROUGH GROUNDED D-HOUSE		Ersatz fuer: 3102ST2507		Blatt 1 von 1 Bl.
NEUTRIK AG FL-9494 SCHAAN		Zeichn. Nr. ST-NBB75DFG		

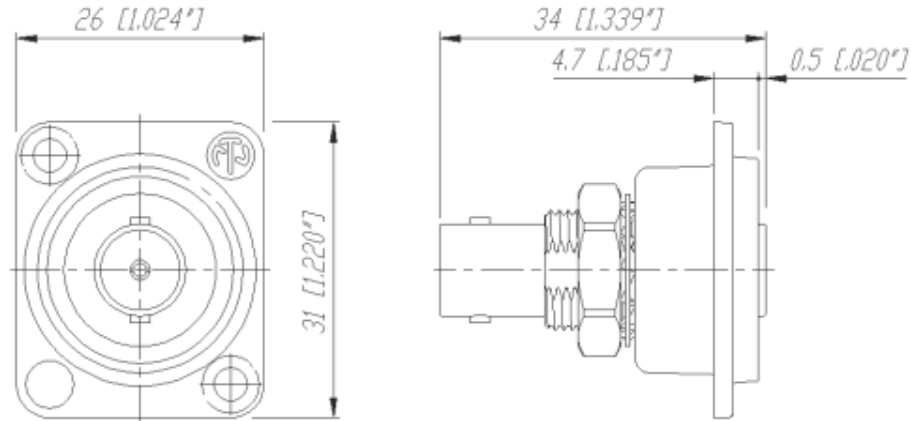


Bulkhead Jacks



VIDEO

NBB75DFGB



There are no technical infos for this product.

Product	
Connector Type	BNC 75 Ohm
Gender	female
Electrical	
Signal Type	HD,SDI,Video,AES/EBU,Composit,YUV,RGB,RGBH,RGBHV
Contact resistance	≤ 3 mΩ (inner)
Dielectric strength	1,5 kVdc
Impedance	75 Ω
Insulation resistance	> 5 GΩ
Rated voltage	500 V
VSWR	≤ 1.03 / > 37 dB up to 1 GHz ≤ 1.05 / > 32 dB up to 2 GHz ≤ 1.08 / > 28 dB up to 3 GHz
Mechanical	
Insertion force	< 25 N
Lifetime	> 1000 mating cycles
Locking device	Bayonet
Mounting direction	front
Chassis shape	D
Material	
Contacts	Brass (CuZn39Pb3) (Ground contact)
Contacts	Brass (CuZn39Pb3), 0.2 μm AuCo (Center contact)
Insert	Teflon PTFE
Shell	Brass (CuZn39Pb3)
Shell	Polyacetal Polyacetal (POM) (Insulation Sheell)
Shell plating	Optalloy®
D-Shape housing	Zinc diecast (ZnAl4Cu1) gal black CR plating
Environmental	

Standard compliance IEC 6016908, MIL 348A

Temperature range -30 °C to +85 °C

Optical

Mobile Cables