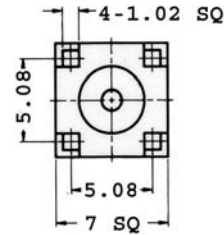
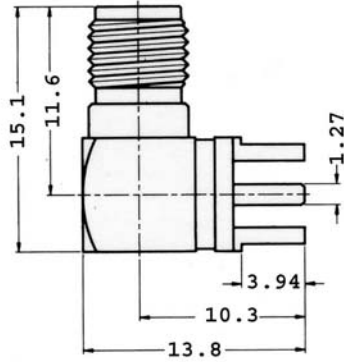
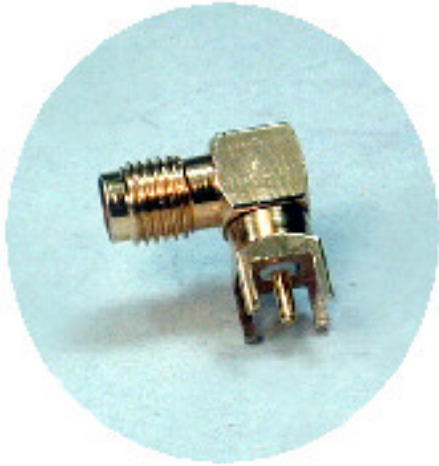


SMA Connectors

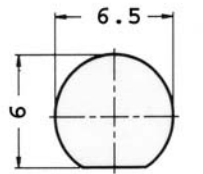


PC Board / Panel Mount
Types

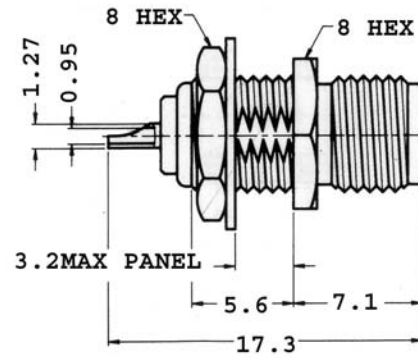
Right Angle PC
Board Jack

P/N: 964A595

Mounting Hole Dia. see "TYPE A"



RECOMMENDED
MOUNTING HOLE



PC Board /
Panel Mount
Types

Bulkhead Jack

Front Mount

P/N: 926A515