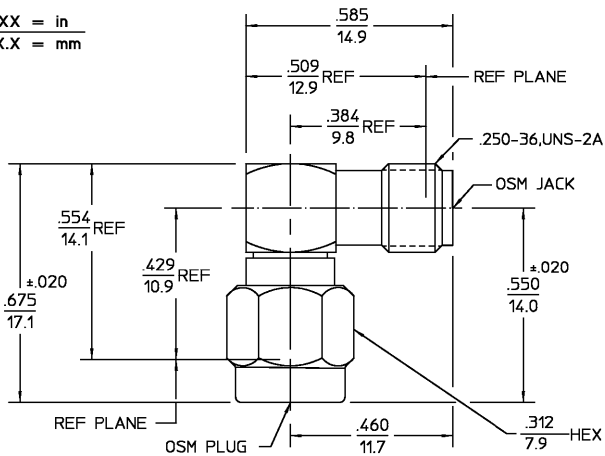


.XXX = in
XX.X = mm



REVISIONS			
REV	DESCRIPTION	DATE	APPROVED
01 ₂	REVISED	10/26/93	JPD

ELECTRICAL	MECHANICAL	ENVIRONMENTAL
Nominal Impedance (Ohms) 50	Interface Dimensions MIL-STD-348A, Fig. 310.1.2	Temperature Rating -65°C to +125°C
Frequency Range (GHz) DC to 18	Recommended Mating Torque 7 to 10	Vibration MIL-STD-202, Method 204, Condition D
Volt Rating (VRMS MAX) Sea Level 335	Mating Characteristics: Insertion (MAX Lbs) 3	Shock MIL-STD-202, Method 213, Condition 1
VSWR 1.15 ± .015 (GHz)	Withdrawal (MIN Oz) 1	Thermal Shock MIL-STD-202, Method 107, Condition B, Except High Temp
Insertion Loss (dB MAX) .04 (GHz)	Force to Engage and Disengage (in-Lbs MAX) 2	Moisture Resistance MIL-STD-202, Method 106
RF Leakage (dB MIN) -190-f(GHz)	Center Contact Captivation Axial (Lbs) 6	Corrosion - MIL-STD-202, Method 101, Condition B, 5% salt spray
Corona, 70,000 Ft (VRMS MIN) 250	Radial (in-Oz) 4	
Dielectric Withstanding Voltage (VRMS MIN) Sea Level 1000	Cable Retention Axial Force (Lbs) N/A	
Contact Resistance (Milliohms MAX) Center Contact 2	Torque (in-Oz) N/A	
Outer Contact 2	Weight (Grams) TBD	
Cable to Housing N/A		
RF High Potential Sea Level (VRMS MIN) 5 MHz 670		
IR (Megohms MIN) 10,000		

COMPONENT	MATERIAL	FINISH
HOUSING COUPLING NUT CAP	STAINLESS STEEL PER ASTM-A484 AND ASTM-A582, TYPE 303	PASSIVATE PER ASTM-A380
DIELECTRIC	TFE FLUOROCARBON PER ASTM-D-1457	N/A
CENTER CONTACT	BERYLLIUM COPPER PER ASTM B 196, ALLOY C17300, CONDITION H	GOLD PLATE PER MIL-G-45204 OVER COPPER PLATE PER MIL-C-14550
RETAINING RING	BERYLLIUM COPPER PER ASTM B 194, ALLOY C17200, CONDITION H	N/A
GASKET	SILICONE RUBBER PER ZZ-R-765	N/A

UNLESS OTHERWISE SPECIFIED DIMENSIONS ARE IN INCHES	DRAWN BY GBEERS DATE 8/18/81	AMP Incorporated 140 Fourth Avenue Waltham, MA 02451-7599
TOLERANCE ON	CHECKED BY RMP DATE 8/21/81	
FRAC. DEC. ANGLES ± 1/64 ± .005 ± °	APP'D BY JS DATE 8/21/81	
USE ASSY PROCEDURE	NO. AP. N/A	TITLE OSM RIGHT ANGLE PLUG TO JACK ADAPTER
SIZE B	CODE IDENT NO. 26805	REV 01 ₂
SCALE 5:1		SHEET 1 OF 1

CUSTOMER DRAWING AMP PART # 1055070-1 SHEET 1 OF 1 REV A