

4

3

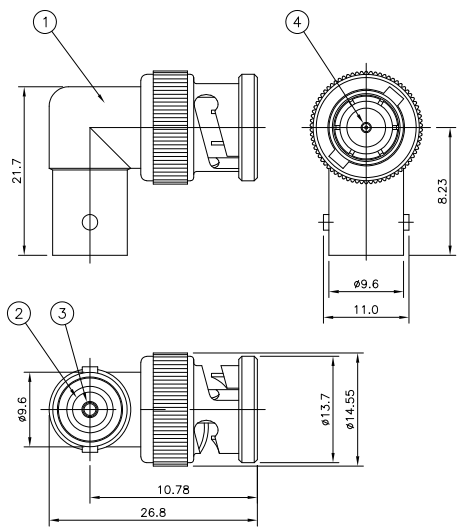
2

1

THIS DRAWING IS UNPUBLISHED. RELEASED FOR PUBLICATION MAR ,2006.  
 © COPYRIGHT 2006 By - ALL RIGHTS RESERVED.

LOC	DIST	REVISIONS			
P	LTR	DESCRIPTION	DATE	DWN	APVD
B1		REVISED PER ECO-11-005033	01APR11	RK	HMR

- NOTES**
- 1. 100 TRAY PACK IN ACCORDANCE WITH AMP SPEC 107-3275
  - 2. SINGLE PACK IN ACCORDANCE WITH AMP SPEC 107-3275
  - 3. Au PLATING
  - 4. Ni PLATING
  - 5. FOR TECHNICAL DATA REFER TO YOUR LOCAL TE CONNECTIVITY SALES OFFICE
  - 6. ALL DIMENSIONS ARE NOMINAL FOR REFERENCE ONLY UNLESS OTHERWISE STATED



QTY	PER ASSY	MATERIAL	DESCRIPTION	ITEM
1	1	BRASS	MALE CONTACT	4
1	1	PHOS BRONZE	FEMALE CONTACT	3
1	1	PE-606	INSULATOR	2
1	1	ZINC ALLOY	BODY	1
5--1	5--0			

THIS DRAWING IS A CONTROLLED DOCUMENT.		DWN RITA ZUO 10 Mar 09																			
DIMENSIONS: mm		CHK ANSON MA 10 Mar 09																			
TOLERANCES UNLESS OTHERWISE SPECIFIED:		APVD BOB ZHAO 10 Mar 09	NAME BNC ELBOW ADAPTOR PLUG - JACK 50 OHMS																		
<table border="1"> <tr><td>0</td><td>PLC</td><td>± 0.5</td></tr> <tr><td>1</td><td>PLC</td><td>± 0.3</td></tr> <tr><td>2</td><td>PLC</td><td>± 0.2</td></tr> <tr><td>3</td><td>PLC</td><td>± -</td></tr> <tr><td>4</td><td>PLC</td><td>± -</td></tr> <tr><td colspan="2">ANGLES</td><td>± -</td></tr> </table>		0	PLC	± 0.5	1	PLC	± 0.3	2	PLC	± 0.2	3	PLC	± -	4	PLC	± -	ANGLES		± -	PRODUCT SPEC 108-112000	
0	PLC	± 0.5																			
1	PLC	± 0.3																			
2	PLC	± 0.2																			
3	PLC	± -																			
4	PLC	± -																			
ANGLES		± -																			
MATERIAL SEE TABLE		APPLICATION SPEC -	RESTRICTED TO -																		
FINISH -		WEIGHT -	SIZE A3	CAGE CODE 00779																	
		DRAWING NO 1634526	SCALE NTS																		
		CUSTOMER DRAWING	SHEET 1 OF 1 REV B1																		