

## Plug-In Outlet Center<sup>®</sup> Units

**B**ring power safely and conveniently to wherever you need it with a full line of Plug-In Outlet Center Units from Wiremold/Legrand. These units are ideal for use in a wide variety of settings, including relay racks and cabinets, laboratories, workshops, classrooms and offices.

Plug-In Outlet Center Units include rack mount, Cabinet-MATE, compact, 90 degree, deluxe control, industrial, and international units. Most units are available in both 15 and 20 Amp configurations.

Wiremold/Legrand also offers extensive custom capabilities for Plug-In Outlet Center Units. Contact the factory for more information.



**JO8BOB (Front & Back)**



**UL207BC**



**JO6BOB20X-AM (Front)**

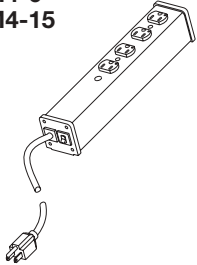

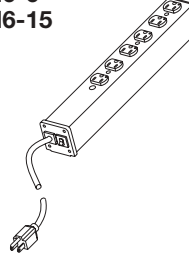



**P6**

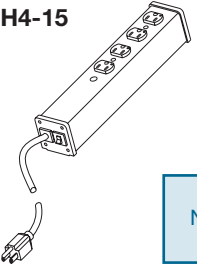

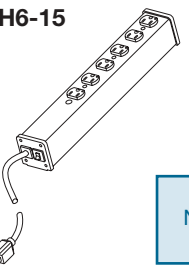

### Features & Benefits

- **User-ready outlets.** Plug-In Outlet Center units provide power distribution in a portable, plug-in unit.
- **Rugged construction.** Durable 2" x 1 3/4" [44mm x 51mm] or 3 1/2" x 2" [89mm x 44mm] aluminum housing. Some Plug-In Outlet Center units are available with an impact-resistant plastic housing.
- **Space saving.** Rack mount units fit standard 19" [482mm] relay racks. Compact 1U design takes up minimum space. 23" [584mm] units available, consult factory.
- **Low profile.** CabinetMATE units offer a narrow 1 1/2" x 1 3/16" [38mm x 20mm] aluminum housing.
- **Aesthetically pleasing.** Rack mount units have a black matte finish and a black cord. CabinetMATE, compact and industrial units have a gray finish and a black cord. Deluxe control and 20A units have a putty white finish and a black cord. Most units with a putty white finish have a putty white cord. Special Use units have a white finish and a white cord.
- **Flexible mounting.** Each unit features one of four different mounting types. Each mounting method has been designed to optimize the performance of the product. Complete mounting hardware and installation instructions are included with every unit.
- **Cord properly rated to load requirements.** 15A units have a 14/3 SJT cord and a NEMA 5-15P plug. 20A units have a 12/3 SJT cord and a NEMA 5-20P or NEMA L5-20P plug.
- **Lighted switch.** Most units have lighted on/off switch(es) to control power to the unit.
- **Resettable circuit breaker.** Provides overload protection.
- **Two-Year product warranty.**
- **UL and cUL Listed or Recognized.** Units are UL and cUL Listed to UL1363 standards. Rack mount units are UL and cUL Recognized to UL1363 standards.

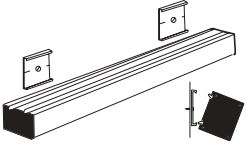
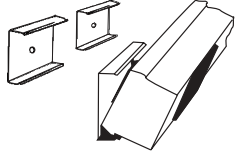
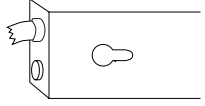
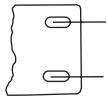
## Medical/Dental Grade Plug-In Outlet Centers

Catalog No./Item	Description/Specifications	Catalog No./Item	Description/Specifications
<b>ULM4-6</b> <b>ULM4-15</b> 	<b>Medical/Dental Grade Plug-In Outlet Center</b> – Four outlets, white finish. 6' [1.8m] or 15' [4.6m] cord. Length 10 3/4" [237mm]. Receptacle center-to-center 1 1/2" [38mm]. cTUVus Listed as Medical Electrical Equipment. <b>Suitable for use where Article 517 of the NEC requires Hospital Grade Outlets.</b> 	<b>ULM6-6</b> <b>ULM6-15</b> 	<b>Medical/Dental Grade Plug-In Outlet Center</b> – Six outlets, white finish. 6' [1.8m] or 15' [4.6m] cord. Length 13 1/4" [337mm]. Receptacle center-to-center 1 1/2" [38mm]. cTUVus Listed as Medical Electrical Equipment. <b>Suitable for use where Article 517 of the NEC requires Hospital Grade Outlets.</b> 

## Special Use Plug-In Outlet Centers

Catalog No./Item	Description/Specifications	Catalog No./Item	Description/Specifications
<b>ULBH4-6</b> <b>ULBH4-15</b> 	<b>Special Use Plug-In Outlet Center</b> – Four outlets, white finish. 6' [1.8m] or 15' [4.6m] cord. Length 10 3/4" [237mm]. Receptacle center-to-center 1 1/2" [38mm]. Not for use where Article 517 of the NEC requires Hospital Grade Outlets. <div style="border: 1px solid black; padding: 5px; margin-top: 10px; text-align: center;"> <b>IMPORTANT</b>                          Not for use in general care or critical care environments.                     </div> 	<b>ULBH6-6</b> <b>ULBH6-15</b> 	<b>Special Use Plug-In Outlet Center</b> – Six outlets, white finish. 6' [1.8m] or 15' [4.6m] cord. Length 13 1/4" [337mm]. Receptacle center-to-center 1 1/2" [38mm]. Not for use where Article 517 of the NEC requires Hospital Grade Outlets. <div style="border: 1px solid black; padding: 5px; margin-top: 10px; text-align: center;"> <b>IMPORTANT</b>                          Not for use in general care or critical care environments.                     </div> 

## Mounting Types

Catalog No./Item	Description/Specifications	Catalog No./Item	Description/Specifications
<b>Snap-on/Slide-off</b> 	<b>Mounting Bracket</b> – Mount unit in any position. Includes two aluminum mounting clips that snap onto mounting rails on the back of the unit. Screws also included. Used for all units with 2" [51mm] housing.	<b>Spring Clip Mounting</b> 	<b>Spring Clip Mounting Bracket</b> – Mount unit in any position. Includes two spring steel mounting clips that snap onto the unit. Screws also included. Used for all units with 1 1/2" [38mm] narrow aluminum housing.
<b>Keyhole Mounting</b> 	<b>Keyhole Mounting Bracket</b> – Mount unit in almost any position. Screws not included. Available on all plastic units and units with 3 1/2" [89mm] aluminum housing.	<b>Rack Mounting</b> 	<b>Rack Mounting Bracket</b> – Fits standard 19" [482mm] rack. Screws not included.