

### WAU16-400

#### Electrical Specifications (@25C)

1. Primary Rating: 120V 60Hz 9W\*
2. Primary Excitation Current: 55mA Max
3. Secondary Rating: 16VAC  $\pm$  5%, 400 mA AC
4. Secondary No-Load Rating: 18.60VAC Ref.
5. No load power (stand by):  $\leq$ 0.5W
6. Average Efficiency: 80%
7. Operating Temperature Range: -10 Deg C to +40 Deg C
8. Temperature Rise: 75 Deg C Max at rated load  
50 Deg C Max on enclosure surface

#### Mechanical Parameters:

Case Type: Thermoplastic molded enclosure.  
Output Cord: 22 AWG, 6 Ft. Long Min.

Agency File:

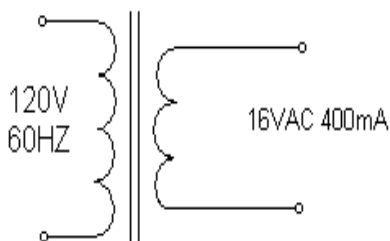
UL/CUL: File E245587, UL 1310

A. Dimension:

H	W	D
70	50	41

\*Units: In Millimeter

B. Schematic:

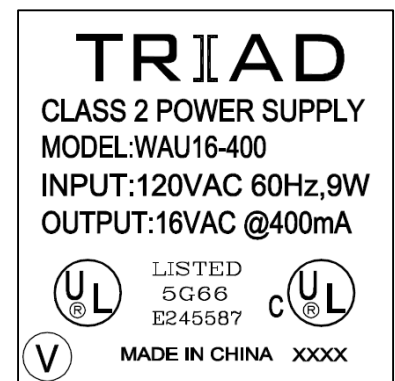
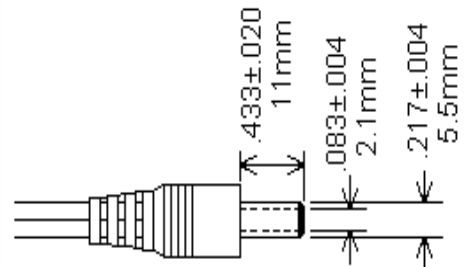
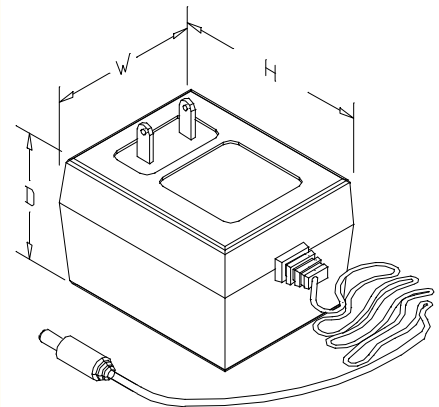


\* Maximum input power at full load.

**DOE/CEC Compliance:** This power supply meets the minimum efficiency requirements per Department of Energy and California Energy Commission.

**RoHS Compliance:** As of manufacturing date February 2005, all standard products meet the requirements of 2002/95/EC, known as the RoHS initiative.

Upon printing, this document is considered "uncontrolled". Please contact Triad Magnetics' website for the most current version.



Web: [www.TriadMagnetics.com](http://www.TriadMagnetics.com)  
Phone 951-277-0757  
Fax 951-277-2757

22520B Temescal Canyon Road  
Corona, California  
92883

Publish Date: July 22, 2010