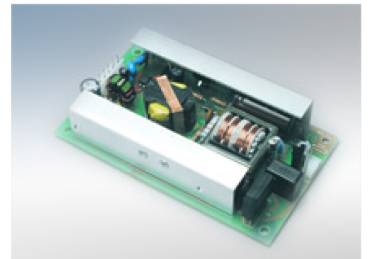




Medical Power Supplies - Open Frame 7-250W Series

Elpac open frame medical grade power supplies are preferred by customers who want to incorporate the AC/DC power supply into their system, delivering a complete, compact package.



- Universal AC Inputs, 85-264
- Single, Dual, and Triple Outputs
- Medical agency requirements including UL2601-1 and EN60601-1

Model Numbers:

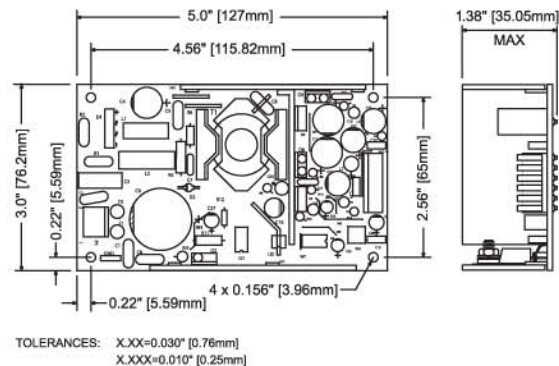
Model	Volts	Input AC	Power	Power Supply Type	PFC	CEC	RoHS	Class	
MSM07	5,12,15,24,28	100-240	7W	Switching Regulated	No	No	No	II	
MSM20	12,15,24	100-240	20W	Switching Regulated	No	No	No	I	
MSM28	12,15,28	100-240	28W	Switching Regulated	No	No	No		

MSM40	12,15,18,24	90-264	40W	Switching Regulated	No	No	No		
MSM40 – A/B/D (Triple Output)	5, 12, -12 5, 15, -15 5, 24, -12	85-264	40W	Switching Regulated	No	No	No	I	
MS40	9,12,15,18,24	85-264	40W	Switching Regulated	No	No	Yes	I	
MTA40	9,12,15,24	85-264	40W	Switching Regulated	No	No	Yes	I	
MSM60	12,24	100-240	60W	Switching Regulated	No	No	No		
MSM65	12,15,24	100-240	65W	Switching Regulated	No	No	No	I	
MS65	9,12,15,24	85-264	65W	Switching Regulated	No	No	Yes		
MTA65	9,12,15,24	85-264	65W	Switching Regulated	No	No	Yes	I	

MSM 40A/B/D Series

40 Watt Medical Grade Power Supply

- Wide Range AC Input
- Multiple Regulated DC Outputs
- High Efficiency
- Outputs Floating
- Medical Grade Approval
- 5 Year Warranty



SPECIFICATIONS

INPUT

Voltage	85 - 264 VAC		
Current	1.3 Amp @ 120 VAC		
Frequency	47 - 63 Hz		
Max. Earth	Test Voltage	Normal	Single
Leakage current	132 VAC 60 Hz	25 uA	35 uA
	264 VAC 60 Hz	40 uA	60 uA

OUTPUT

Total regulation	< +/- 5% (Each output)		
Set point accuracy	< +/- 3% at 60% load		
Hold up time	20 ms min at full load, 115 VAC		
Transient response	2 ms for 50% to 100% load change		
Over voltage protection	Built-in		
Over current protection	Built-in		
Short circuit protection	Pulsing mode, auto recovery		
Ripple/noise (V _{p-p})	0.5% RMS, +/- 1% PK - PK (20 MHz bandwidth)		

PINOUT	1	2	3	4	5	6
Input P1	AC Line	-	AC Neutral	N/A	N/A	N/A
Output P2	V2	V1	V1	Com	Com	V3

ENVIRONMENTAL

Operating temperature	0° C to 50° C
Storage temperature	-55° C to 85° C
Weight	0.55 lbs

SAFETY

cRUus
 UL 60601-1
 CSA C22.2 No.601.1-M90
 CB per IEC 60601-1
 CE marked to LVD
 Class I

EMI/EMC

Emissions	CISPR11 and FCC Part 15, Class B. EN61000-3-2, -3
Immunity	EN61000-4-2, -3, -4, -5, -6, -8, -11

Model No	Power	V1	I1	V2	I2	V3	I3	Efficiency @ 115VAC (Typ)
MSM40A	40W	5.1V	4A	12V	2A	-12V	0.4A	70%
MSM40B	40W	5.1V	4A	15V	2A	-15V	0.4A	70%
MSM40D	40W	5.1V	4A	24V	1A	-12V	0.4A	70%

Input and Output Connections

Input connector (P1) = AMP p/n 640445-3 or equivalent
 Input mating connector = AMP p/n 640250-3 or equivalent
 Output connector (P2) = AMP p/n 640445-6 or equivalent
 Output mating connector = AMP p/n 640250-6 or equivalent
 Mating connector contacts = AMP p/n 770476-1 or equivalent
 Input P1 GND 0.25" FASTON TAB