

■ Features :

- Universal AC input / Full range
- Protections: Short circuit / Overload / Over voltage
- Cooling by free air convection
- 100% full load burn-in test
- Fixed switching frequency at 65KHz
- 2 years warranty

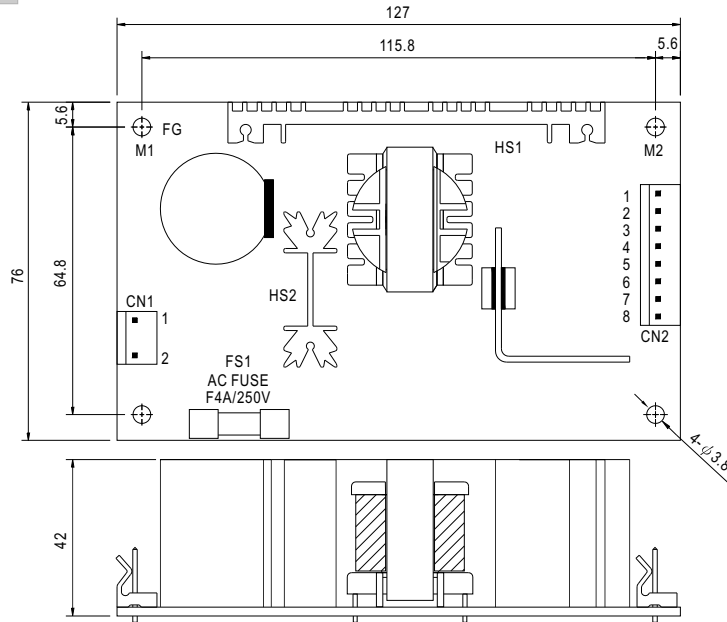


**SPECIFICATION**

<b>MODEL</b>	<b>PT-6503</b>			
<b>OUTPUT</b>	<b>OUTPUT NUMBER</b>	CH1	CH2	CH3
	<b>DC VOLTAGE</b>	3.3V	5V	12V
	<b>RATED CURRENT</b>	6A	6A	1A
	<b>CURRENT RANGE</b>	0 ~ 7A	0.2 ~ 10A	0 ~ 1.2A
	<b>RATED POWER</b>	Total power max. 61.8W(CH1+CH2 max. 54W)		
	<b>RIPPLE &amp; NOISE (max.)</b> Note.2	50mVp-p	50mVp-p	100mVp-p
	<b>VOLTAGE ADJ. RANGE</b>	CH1: 3 ~ 3.6V		
	<b>VOLTAGE TOLERANCE</b> Note.3	±3.0%	+4,-2%	±8.0%
	<b>LINE REGULATION</b>	±1.0%	±1.0%	±2.0%
	<b>LOAD REGULATION</b>	±3.0%	±3.0%	±8.0%
<b>SETUP, RISE TIME</b>	800ms, 50ms at full load			
<b>HOLD UP TIME (Typ.)</b>	60ms at full load			
<b>INPUT</b>	<b>VOLTAGE RANGE</b>	90 ~ 264VAC	127 ~ 370VDC	
	<b>FREQUENCY RANGE</b>	47 ~ 63Hz		
	<b>EFFICIENCY (Typ.)</b>	72%		
	<b>AC CURRENT (Typ.)</b>	1.8A/115VAC	0.9A/230VAC	
	<b>INRUSH CURRENT (Typ.)</b>	COLD START 20A/115V	40A/230V	
	<b>LEAKAGE CURRENT</b>	<1mA / 240VAC		
<b>PROTECTION</b>	<b>OVERLOAD</b>	120 ~ 160% rated output power Protection type : Hiccup mode, recovers automatically after fault condition is removed		
	<b>OVER VOLTAGE</b>	5.75 ~ 6.75V on +5V Protection type : Hiccup mode, recovers automatically after fault condition is removed		
<b>ENVIRONMENT</b>	<b>WORKING TEMP.</b>	-10 ~ +60°C (Refer to output load derating curve)		
	<b>WORKING HUMIDITY</b>	20 ~ 90% RH non-condensing		
	<b>STORAGE TEMP., HUMIDITY</b>	-20 ~ +85°C, 10 ~ 95% RH		
	<b>TEMP. COEFFICIENT</b>	±0.03%/°C (0 ~ 50°C)		
	<b>VIBRATION</b>	10 ~ 500Hz, 2G 10min./1cycle, period for 60min. each along X, Y, Z axes		
<b>SAFETY &amp; EMC (Note 4)</b>	<b>SAFETY STANDARDS</b>	UL60950-1, TUV EN60950-1 approved		
	<b>WITHSTAND VOLTAGE</b>	I/P-O/P:3KVAC	I/P-FG:1.5KVAC	O/P-FG:0.5KVAC 1min.
	<b>ISOLATION RESISTANCE</b>	I/P-O/P, I/P-FG, O/P-FG:100M Ohms / 500VDC / 25°C / 70% RH		
	<b>EMI CONDUCTION &amp; RADIATION</b>	Compliance to EN55022 (CISPR22) Class B		
	<b>HARMONIC CURRENT</b>	Compliance to EN61000-3-2,-3		
<b>OTHERS</b>	<b>MTBF</b>	222Khrs min. MIL-HDBK-217F (25°C)		
	<b>DIMENSION</b>	127*76*42mm (L*W*H)		
	<b>PACKING</b>	0.28Kg; 54pcs/16.2Kg/1.35CUFT		
<b>NOTE</b>	1. All parameters NOT specially mentioned are measured at 230VAC input, rated load and 25°C of ambient temperature. 2. Ripple & noise are measured at 20MHz of bandwidth by using a 12" twisted pair-wire terminated with a 0.1uf & 47uf parallel capacitor. 3. Tolerance : includes set up tolerance, line regulation and load regulation. 4. The power supply is considered a component which will be installed into a final equipment. The final equipment must be re-confirmed that it still meets EMC directives. For guidance on how to perform these EMC tests, please refer to "EMI testing of component power supplies." (as available on <a href="http://www.meanwell.com">http://www.meanwell.com</a> ) 5. Mounting holes M1 and M2 should be grounded for EMI purposes. 6. Heat Sink HS1,HS2 can not be shorted.			

**Mechanical Specification**

Unit:mm



AC Input Connector (CN1) : Molex 5277-02 or equivalent

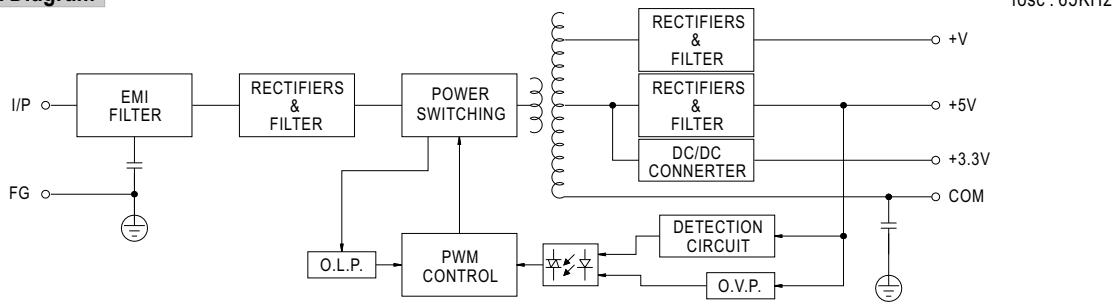
Pin No.	Assignment	Mating Housing	Terminal
1	AC/N	Molex 5195 or equivalent	Molex 5194 or equivalent
2	AC/L		

DC Output Connector (CN2) : Molex 5273-08 or equivalent

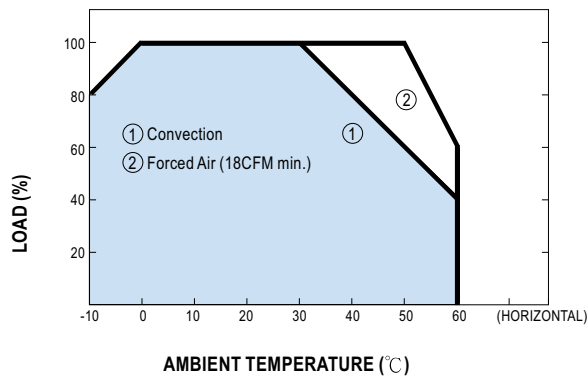
Pin No.	Assignment	Mating Housing	Terminal
1,2	+5V	Molex 5195 or equivalent	Molex 5194 or equivalent
3,4,5	COM		
6	+V		
7,8	+3.3V		

⚠ HS1,HS2 can not be shorted

**Block Diagram**



**Derating Curve**



**Static Characteristics**

