



## 14W DC-DC Power Over Ethernet Splitter POE14 Fully Compliant IEEE802.3af PD Power Supply



### Features

- Fully Compliant IEEE802.3af PD Power Supply
- DC Good LED
- Non-Vented Case
- Gigabit Compatible
- UNH IOL Test Report
- Full Protection OTP, OCP, OVP
- 10/100/1000 Base T Data rates

### Applications

- IP Telephones
- Wireless Network Access Points
- Blue Tooth Access Point
- Security Camera
- IP Print Servers

### Safety Approvals

- CE

### Mechanical Characteristics

- Length: 100mm (3.937in)
- Width: 56mm (2.205in)
- Height: 28mm (1.098in)
- Weight: 0.142Kg (0.313lb)

### Output Specifications

Model	DC Output Voltage	Output Current
POE14-033	3.3V	2.5A
POE14-050	5V	2.5A
POE14-120	12V	1.0A or 1.17A

Phihong reserves the right to make changes without further notice. Please consult Phihong USA and visit [www.phihong.com](http://www.phihong.com) for the most up-to-date specifications.

**INPUT:**

**Input Voltage Range**

Receives power from either Data or spare pairs

Model name	Input Voltage Range
POE14-033	36-57VDC
POE14-050	36-57VDC
POE14-120	1A for 36-55VDC, 1.17A for 55-57VDC

**Input Current**

0.6A(RMS) max.

**OUTPUT:**

**Regulation**

Line and Load  $\pm 4\%$

**Ripple**

12V 120mVp-p

5&3.3V 100mVp-p

**Efficiency**

POE14-033: 65% (typical) at Max. load 48Vinput

POE14-055: 70% (typical) at Max. load 48Vinput

POE14-120: 72% (typical) at Max. load 48Vinput

**O/P Voltage Protection**

In case of output voltage, crowbar will short

**ENVIRONMENTAL:**

**Temperature**

Operation 0 to +40°C

Non-operation -20 to +65°C

**Humidity**

Operation 5 to 90%

**Immunity**

ESD: EN61000-4-2. Level 3

RS: EN61000-4-3. Level 2

CS: EN61000-4-6. Level 2

Note: RS and CS tested with POE20U

**EMC**

EN55022 Class A

**Isolation Test**

This Splitter output is isolated from incoming POE voltages

**Indicators**

GREEN LED – Output Good

**Input and Output DataConnector**

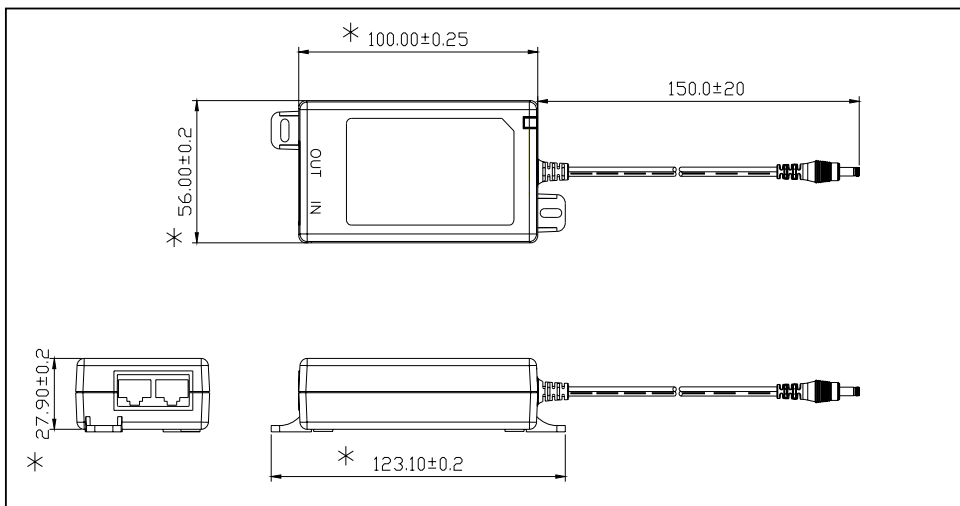
RJ45

**Output Connector**

Center Positive Barrel 9mm x 2.5mm ID x 5.5mm OD

**Dimension Diagram Unit: mm (inch)**

**POE14-050 & POE14-033**



**POE14-120**

