

# 3400N Series

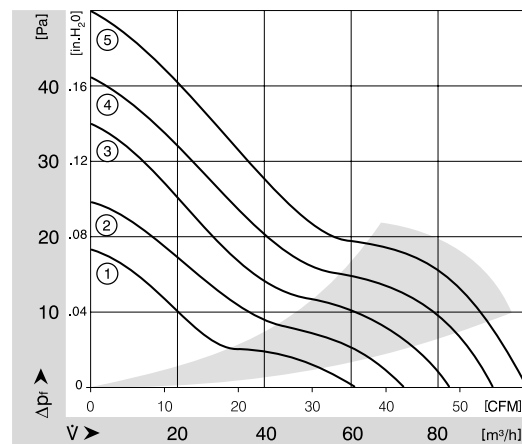
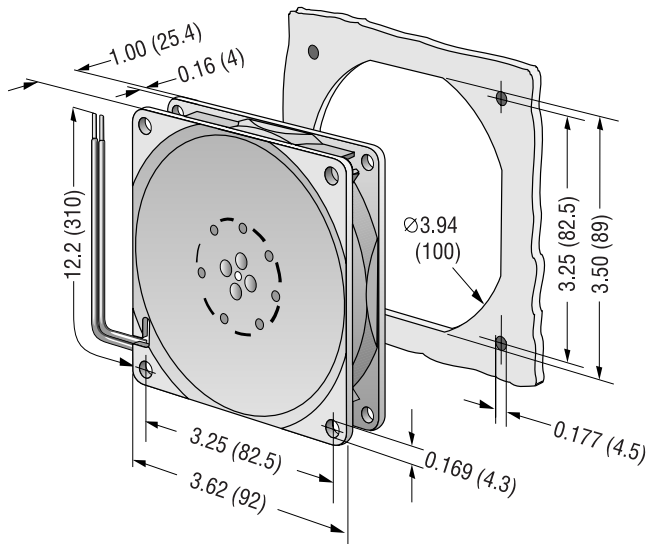
Tubeaxial

92x92x25mm



- DC fans with electronically commutated external rotor motor. Fully integrated commutation electronics.
- With electronic protection against reverse polarity, blocking and overloading; partially impedance protected.
- Mounting from either face using four 4.3 mm holes.
- Fan of fiberglass reinforced plastic. PBTP housing, PA impeller.
- Air exhaust over struts. Rotational direction CCW looking at rotor.
- Electrical connection via 2 leads AWG 24, TR 64. Stripped and tinned ends.
- UL, CSA, VDE approvals on some models, please contact application engineering.

Part Number	Curve	CFM @ 0	VDC	Volt. Range	Power (W)	dBA	Max Amb. Temp C	Bearing Type	Features	Wgt. (lbs)
3412NGLE	1	35.9	12	8 to 15	1.1	23	80	Sintec	Leads	0.22
3412NLE	1	35.9	12	8 to 15	0.8	23	85	Ball	Leads	0.22
3412NGME	2	42.4	12	8 to 15	1.6	28	75	Sintec	Leads	0.22
3412NME	2	42.4	12	8 to 15	1.1	28	75	Ball	Leads	0.22
3412N	3	49.4	12	8 to 15	2.2	32	70	Ball	Leads	0.22
3412NG	3	49.4	12	8 to 15	2.2	32	70	Sintec	Leads	0.22
3412NGH	4	55.3	12	8 to 15	2.5	36	70	Sintec	Leads	0.22
3412NH	4	55.3	12	8 to 15	2.5	36	70	Ball	Leads	0.22
3412NHH-379	5	60.0	12	8 to 15	2.7	39	70	Ball	Leads	0.22
3412NGHH	5	60.0	12	8 to 13.2	3.2	39	60	Sintec	Leads	0.22



ebmpapst