

max. 950 m³/h

DC Axial Fans

Series 6300 172 Ø x 51 mm



Highlights:

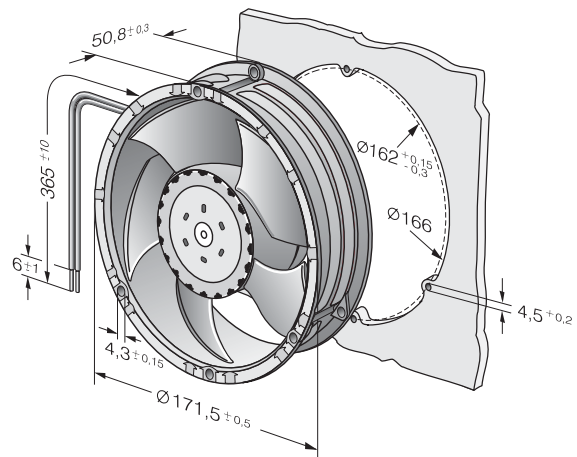
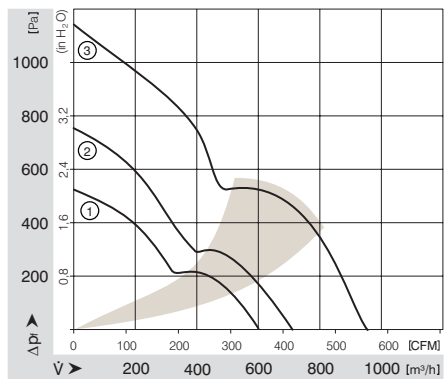
- 3-phase fan drive high degree of running smoothness.
- Highly stable characteristic curve for high air flow with high back pressure.
- Low operating noise at high back pressure.
- Standard with PWM control input and speed signal, additional inputs and outputs on request.

General characteristics:

- Material: aluminium housing, fiberglass-reinforced PA impeller; housing with grounding lug for screw M4 x 8 (Torx).
- Protected against reverse polarity and blocking.
- Electrical connection via single leads AWG 20, TR 64. Stripped and tinned ends.
- Blowing over struts. Rotational direction CCW looking at rotor.
- Mass: 910 g.

Nominal Data	Air Flow		Nominal Voltage	Voltage Range	Noise	Sound Power	Sinter-Sleeve Bearings Ball Bearings	Power Input	Nominal Speed	Temperature Range	Service Life L ₁₀ (40 °C) ebm-papst Standard	Service Life L ₁₀ (T _{max}) ebm-papst Standard	Life expectancy L _{10Δ} (40 °C)	Curve	Specials
	m ³ /h	CFM													
NEW 6312 /2TDHP	600	353.1	12	8...16	64	7.6	■	41	6 000	-20...+70	70 000 / 35 000	140 000	1	/2	
NEW 6314 /2TDHP	600	353.1	24	16...36	64	7.6	■	41	6 000	-20...+70	70 000 / 35 000	140 000	1	/2	
NEW 6314 /2TDHHP	710	417.9	24	16...36	69	7.9	■	67	7 000	-20...+70	62 500 / 30 000	120 000	2	/2	
NEW 6318 /2TDHP	600	353.1	48	36...72	64	7.6	■	41	6 000	-20...+70	70 000 / 35 000	140 000	1	/2	
NEW 6318 /2TDHHP	710	417.9	48	36...72	69	7.9	■	67	7 000	-20...+70	62 500 / 30 000	120 000	2	/2	
NEW 6318 /2TDH4P	950	559.1	48	36...72	75	8.4	■	150	9 200	-20...+65	52 500 / 30 000	107 500	3	/2	

Speed control range from 1000 min⁻¹ up to maximum nominal speed. Stationary at 0 % PWM, maximum speed when no sensor is connected.



ebmpapst