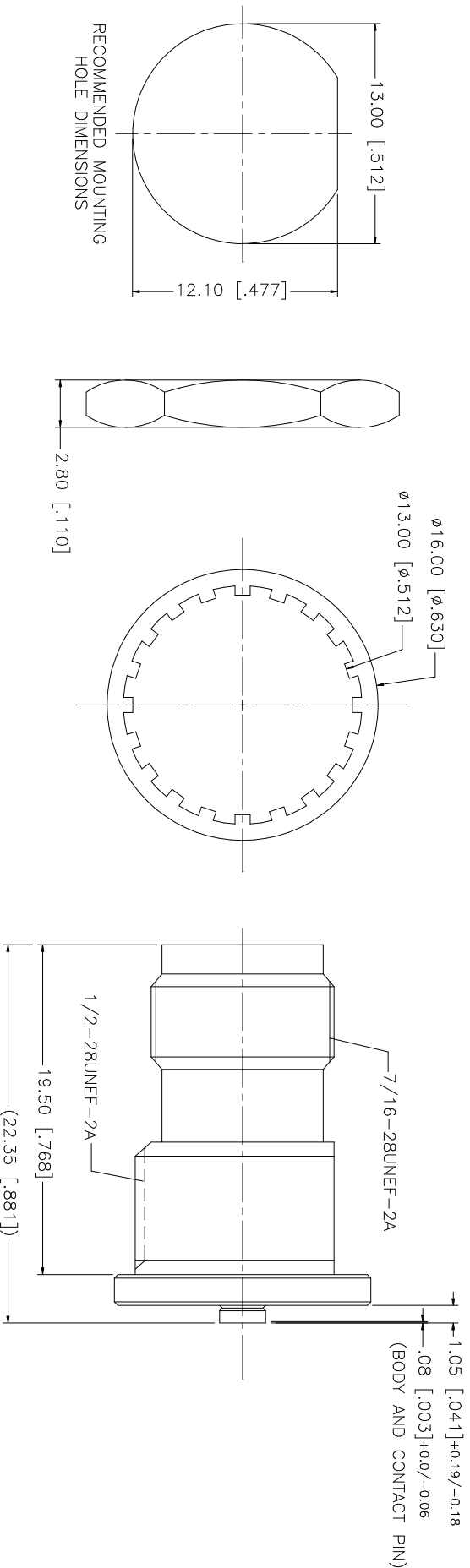


REV.	DATE	DESCRIPTION
A	04/06/04	MODIFY PART DESCRIPTION - REMOVE "REVERSE POLARITY"
B	05/26/06	REVISE PART DESCRIPTION TO "AMC" JACK



NOTES:
1. MAX. PANEL THICKNESS = 5mm

REV.	DATE	DESCRIPTION
8		
7		
6		
5		
4		
3		
2		
1		

DESCRIPTION	MATERIAL	FINISH	QTY
HEX NUT	BRASS	NICKEL	1
LOCK WASHER	BRASS	NICKEL	1
BODY	BRASS	NICKEL	1
INSULATOR	TEFLON	NATURAL	1
CONTACT PIN	BRASS	GOLD	1
BODY	BRASS	NICKEL	1
DESCRIPTION	MATERIAL	FINISH	QTY

UNLESS OTHERWISE SPECIFIED DIMENSIONS ARE INCHES AND FOR CUSTOMER REFERENCE ONLY.
TOLERANCES FOR MILLIMETERS ARE:
0.5 - 8mm ± 0.20mm
8 - 30mm ± 0.40mm
30 - 120mm ± 0.50mm

UNLESS OTHERWISE SPECIFIED DIMENSIONS ARE IN INCHES AND FOR CUSTOMER REFERENCE ONLY.
TOLERANCES FOR INCHES ARE:
.020 - .315 = ± 0.007"
.315 - 1.180 = ± 0.015"
1.180 - 4.724 = ± 0.020"

DO NOT SCALE DRAWING

APPROVALS	DATE
DRAWN G.R.S.	05/26/06
CHECKED	
ISSUED	
SHEET 1 OF 1	

CAD FILE C:/242/242192.DWG

DWG. NO. 242192.DWG

REV. B

SIZE A

SCALE NA

Amphenol Connex

AMC JACK TO TNC JACK
BULKHEAD ADAPTER

PART NO. 242192