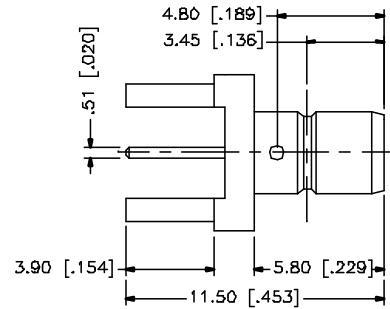
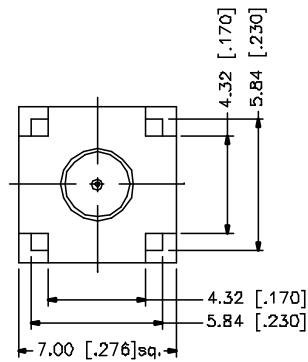
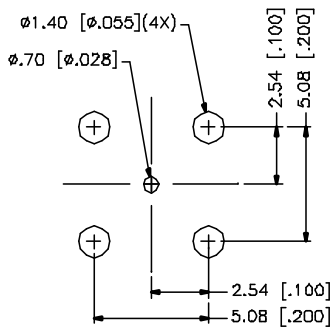


REV.	DATE	DESCRIPTION
A	05/01/04	UPDATE DRAWING FORMAT



8				<small>UNLESS OTHERWISE SPECIFIED DIMENSIONS ARE IN MILLIMETERS DIMENSIONS IN [ ] ARE IN INCHES AND FOR CUSTOMER REFERENCE ONLY.</small> <small>UNLESS OTHERWISE SPECIFIED TOLERANCES FOR MILLIMETERS ARE:</small> 0.5 - 8mm ± 0.20mm 8 - 50mm ± 0.40mm 30 - 120mm ± 0.50mm <small>UNLESS OTHERWISE SPECIFIED TOLERANCES FOR INCHES ARE:</small> .020 - .315 = ± 0.007" .315 - 1.180 = ± 0.015" 1.180 - 4.724 = ± 0.020"	APPROVALS	DATE	<h1 style="color: blue;">Amphenol Connex</h1>
7			DRAWN		G.R.S.	05/01/04	
6			CHECKED				
5			ISSUED				
4				SHEET	1 OF 1	PART DESCRIPTION <b>SMB P.C. MOUNTING JACK - MINI 75ohm</b>	
3	CONTACT PIN	BRASS	GOLD	1	PART NO. <b>142138-75</b>		
2	INSULATOR	TEFLON	NATURAL	1	DWG. NO. 142138-75.DWG		
1	HOUSING/BODY	BRASS	GOLD	1	REV. A	SIZE A	SCALE NA
DO NOT SCALE DRAWING				CAD FILE C:/142/142138-75.DWG			