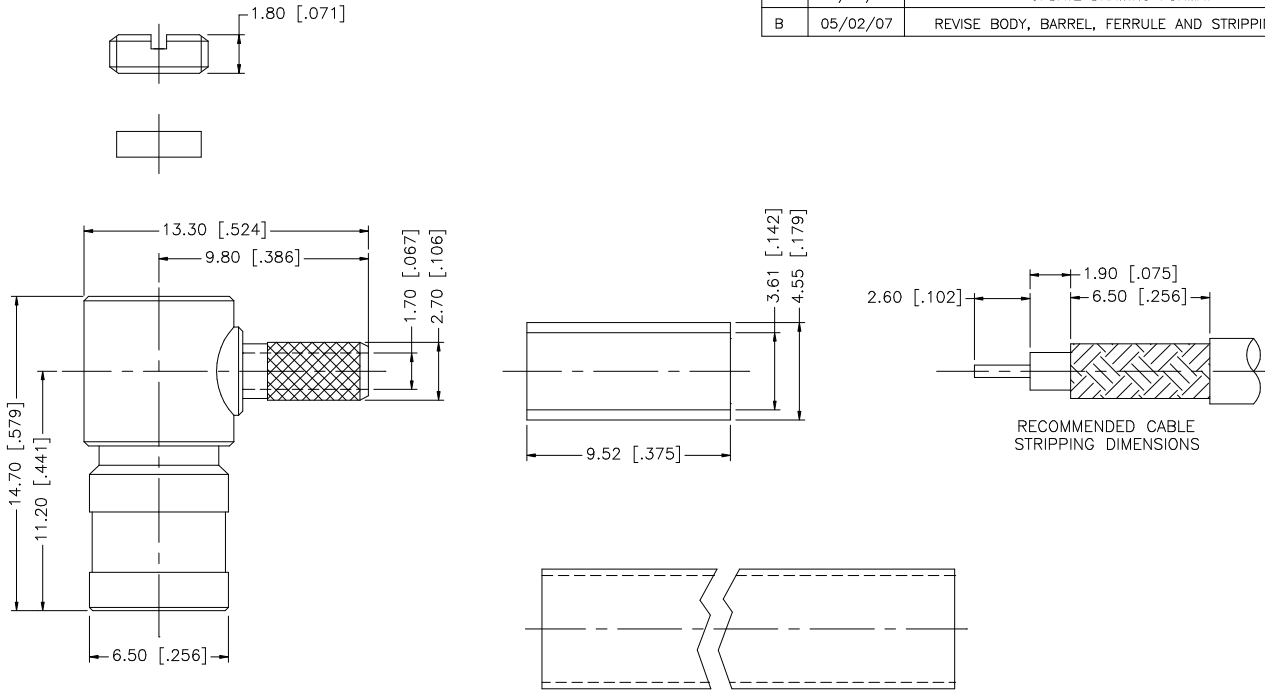


REV.	DATE	DESCRIPTION
NC	11/24/99	INITIAL RELEASE
A	07/20/05	UPDATE DRAWING FORMAT
B	05/02/07	REVISE BODY, BARREL, FERRULE AND STRIPPING DIMS



NOTES:

1. CRIMPED FERRULE HEX CRIMP SIZE .151"
2. CONTACT PIN TO SOLDER.

DESCRIPTION	MATERIAL	FINISH	QTY	UNLESS OTHERWISE SPECIFIED DIMENSIONS ARE IN MILLIMETERS. DIMENSIONS IN [ ] ARE IN INCHES AND FOR CUSTOMER REFERENCE ONLY.	APPROVALS	DATE	<b>Amphenol Connex</b>				
8					DRAWN	G.R.S.	05/02/07	PART DESCRIPTION <b>SMB R/A CRIMP PLUG</b> (FOR RG-174/U, 316/U, 188/U DOUBLE BRAID)			
7	HEAT SHRINK TUBING		1	UNLESS OTHERWISE SPECIFIED TOLERANCES FOR MILLIMETERS ARE: 0.5 - 8mm ± 0.20mm 8 - 30mm ± 0.40mm 30 - 120mm ± 0.50mm	CHECKED		PART NO. <b>142176</b>				
6	COVER	BRASS	GOLD	1	ISSUED						DWG. NO. 142176.DWG
5	FERRULE	COPPER	GOLD	1	SHEET	1 OF 1	REV. B	SIZE A	SCALE NA		
4	INSULATOR	PE	NATURAL	1	CAD FILE C:/142/142176.DWG						
3	CONTACT PIN	BER. COPPER	GOLD	1	DO NOT SCALE DRAWING						
2	INSULATOR	TEFLON	NATURAL	1							
1	BODY	BRASS	GOLD	1							