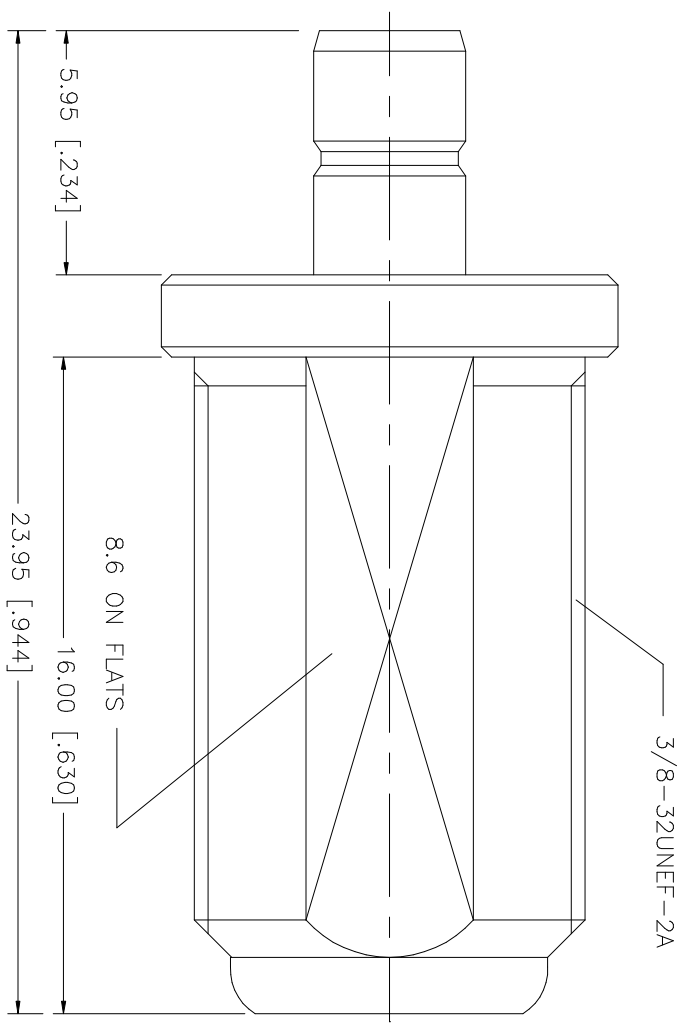


REV.	DATE	DESCRIPTION
NC	04/05/06	INITIAL RELEASE



NO.	DESCRIPTION	MATERIAL	FINISH	QTY	UNLESS OTHERWISE SPECIFIED DIMENSIONS ARE IN INCHES AND FOR CUSTOMER REFERENCE ONLY. TOLERANCES FOR MILLIMETERS ARE:	APPROVALS	DATE	PART DESCRIPTION
8					0.5 - 8mm ± 0.20mm	DRAWN	04/05/06	<b>Amphenol Connex</b> SMB JACK TO F JACK ADAPTER
7					8 - 30mm ± 0.40mm	G.R.S.		
6					30 - 120mm ± 0.50mm	CHECKED		
5						ISSUED		
4	CONTACT PIN	BER. COPPER	GOLD	1	UNLESS OTHERWISE SPECIFIED TOLERANCES FOR INCHES ARE:	SHEET	1 OF 1	
3	INSULATOR	TEFLON	NATURAL	1	.020 - .315 = ± 0.007"			PART NO.
2	BODY	BRASS	NICKEL	1	.315 - 1.180 = ± 0.015"			242224
1	DESCRIPTION	MATERIAL	FINISH	QTY	1.180 - 4.724 = ± 0.020"	DO NOT SCALE DRAWING		DWG. NO.
								242224.DWG
								REV.
								NC
								SIZE
								A
								SCALE
								NA