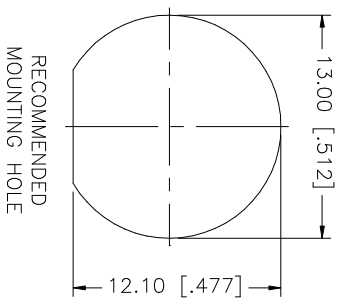
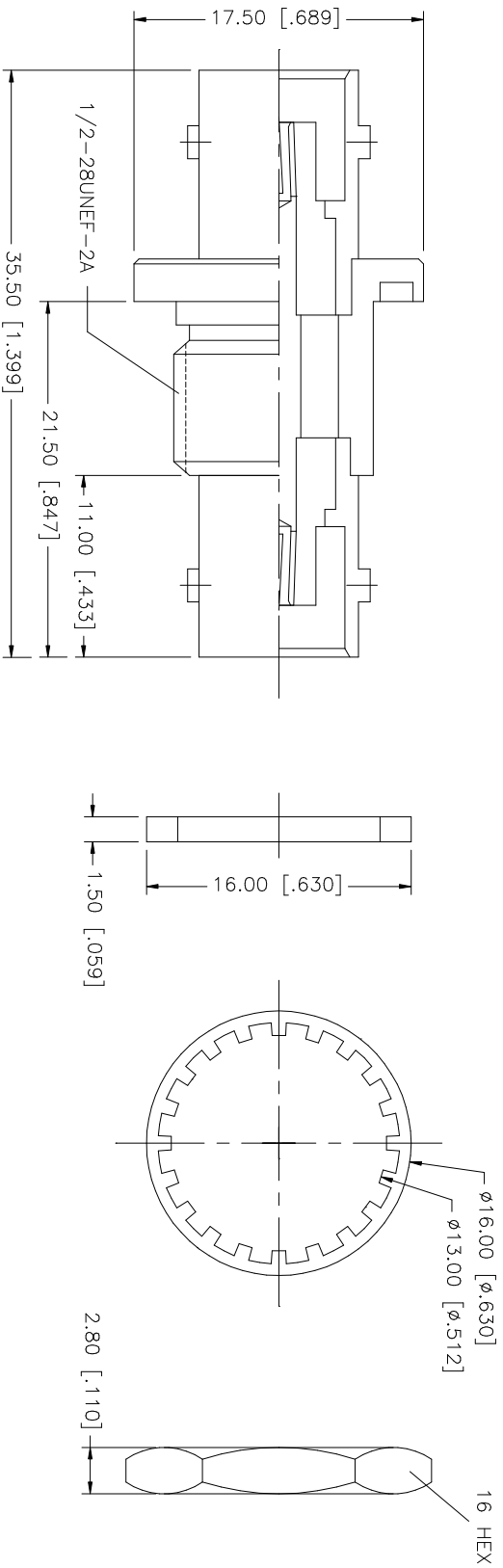


REV.	DATE	DESCRIPTION
A	11/09/03	UPDATE DRAWING FORMAT



NO.	DESCRIPTION	MATERIAL	FINISH	QTY	UNLESS OTHERWISE SPECIFIED DIMENSIONS ARE IN INCHES AND FOR CUSTOMER REFERENCE ONLY.	UNLESS OTHERWISE SPECIFIED DIMENSIONS ARE IN MILLIMETERS AND FOR CUSTOMER REFERENCE ONLY.	APPROVALS	DATE	PART DESCRIPTION	DWG. NO.	REV.	SIZE	SCALE	
8									Amphenol Connex	112435.DWG	A	A	NA	
7														
6	HEX NUT	BRASS	NICKEL	1	UNLESS OTHERWISE SPECIFIED DIMENSIONS ARE IN INCHES AND FOR CUSTOMER REFERENCE ONLY.	UNLESS OTHERWISE SPECIFIED DIMENSIONS ARE IN MILLIMETERS AND FOR CUSTOMER REFERENCE ONLY.	DRAWN	G.R.S.	11/19/03	BNC FEMALE TO FEMALE BULKHEAD ADAPTER	112435	A	A	NA
5	LOCK WASHER	BRASS	NICKEL	1	UNLESS OTHERWISE SPECIFIED DIMENSIONS ARE IN INCHES AND FOR CUSTOMER REFERENCE ONLY.	UNLESS OTHERWISE SPECIFIED DIMENSIONS ARE IN MILLIMETERS AND FOR CUSTOMER REFERENCE ONLY.	CHECKED							
4	GASKET	RUBBER	RED	1	UNLESS OTHERWISE SPECIFIED DIMENSIONS ARE IN INCHES AND FOR CUSTOMER REFERENCE ONLY.	UNLESS OTHERWISE SPECIFIED DIMENSIONS ARE IN MILLIMETERS AND FOR CUSTOMER REFERENCE ONLY.	ISSUED							
3	CONTACT PIN	PHOS. BRONZE	GOLD	1	UNLESS OTHERWISE SPECIFIED DIMENSIONS ARE IN INCHES AND FOR CUSTOMER REFERENCE ONLY.	UNLESS OTHERWISE SPECIFIED DIMENSIONS ARE IN MILLIMETERS AND FOR CUSTOMER REFERENCE ONLY.	SHEET	1 OF 1						
2	INSULATOR BODY	DELIRIN BRASS	NATURAL NICKEL	1	.020 - .315 = ± 0.007" .315 - 1.180 = ± 0.015" 1.180 - 4.724 = ± 0.020"									
1	DESCRIPTION	MATERIAL	FINISH	QTY	DO NOT SCALE DRAWING		CAD FILE	C:/112/112435.DWG						