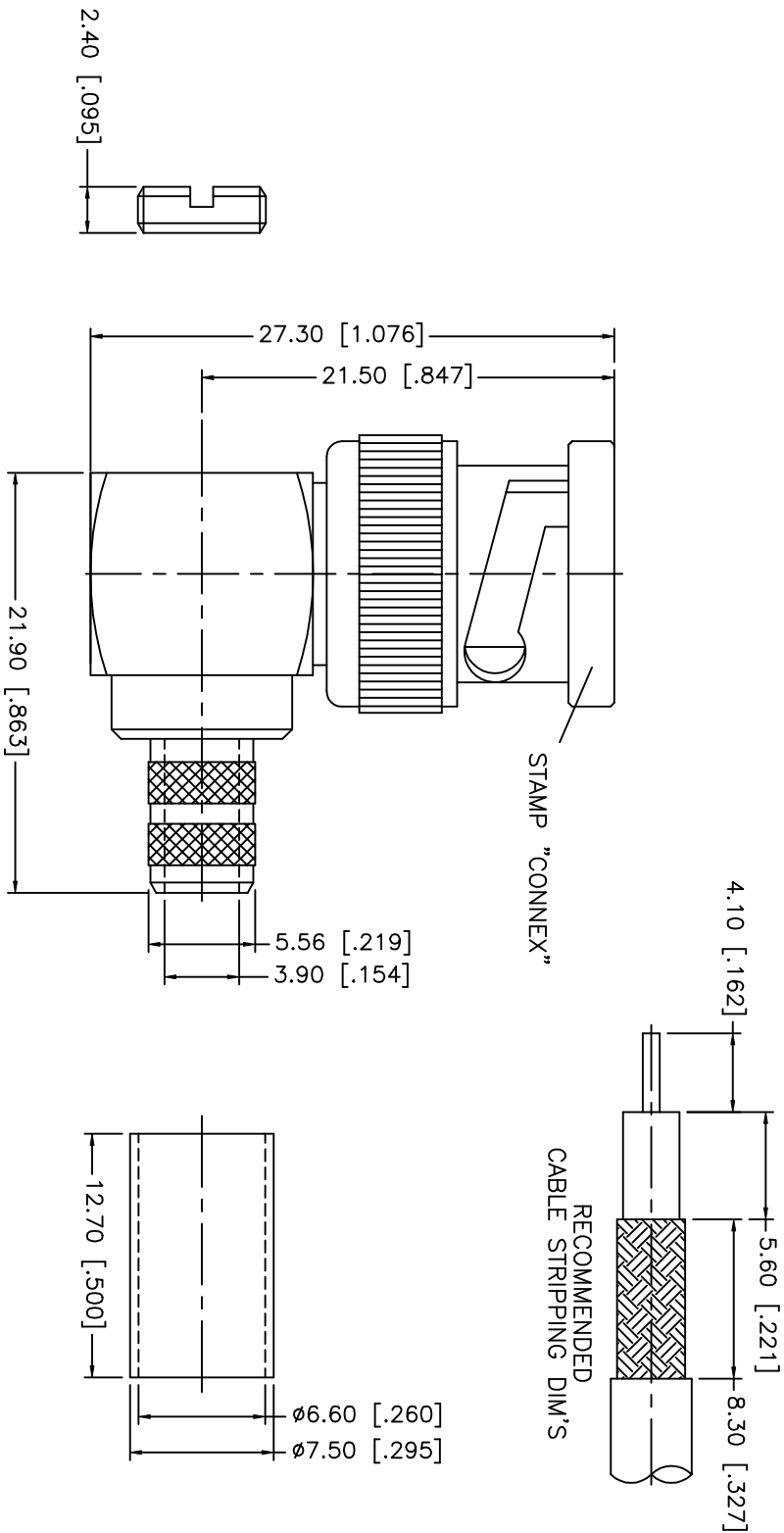


REV.	DATE	DESCRIPTION
NC	08/25/02	INITIAL RELEASE



DESCRIPTION	MATERIAL	FINISH	DO NOT SCALE DRAWING	APPROVALS	DATE	TITLE	SIZE	FSOM NO.	DWG. NO.	REV.
8						<b>Amphenol - Connex</b> CONNECTOR CORPORATION BNC R/A CRIMP PLUG	A	99001	112165	NC
7				DRAWN	08/25/02					
6				CHECKED						
5	BRASS	NICKEL		ISSUED						
4	FERRULE	COPPER								
3	CONTACT PIN	BRASS								
2	INSULATOR	DELRIN								
1	BODY	BRASS	NICKEL							
UNLESS OTHERWISE SPECIFIED DIMENSIONS ARE IN MILLIMETERS DIMENSIONS IN [ ] ARE IN INCHES FOR CUSTOMER REFERENCE ONLY UNLESS OTHERWISE SPECIFIED TOLERANCES FOR INCHES ARE: .XXX = ± 0.005" .XX = ± 0.010" .X = ± 0.020" DO NOT SCALE DRAWING										