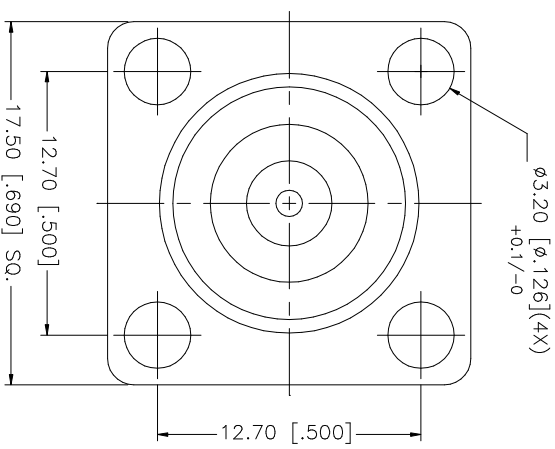
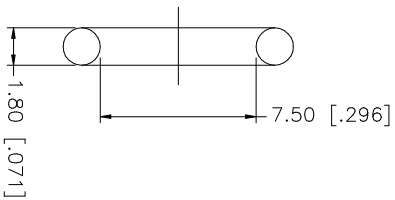
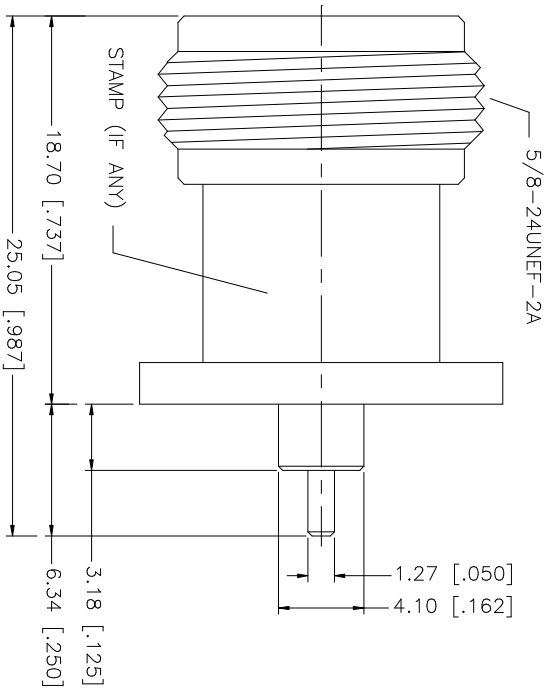


REV.	DATE	DESCRIPTION
NC	10/30/05	UPDATE DRAWING FORMAT



QTY	FINISH	MATERIAL	DESCRIPTION
1	NEXCOTE	BRASS	BODY
1	NATURAL	TEFLON	INSULATOR
1	GOLD	PHOS. BRONZE	CONTACT PIN
1	RED	SILICONE	GASKET

APPROVALS	DATE
G.R.S.	10/30/05

CAD FILE	DWG. NO.	REV.	NC	SIZE	SCALE
C:/172/172117-30.DWG	172117-30.DWG			A	NA

PART DESCRIPTION	PART NO.
N PANEL RECEPTACLE EXTENDED TEFLON (.125/.250)	172117-30

Amphenol Connex