

For LPG and LNG Applications. Metal Body.

- Measures gas flow of 1 to 5 L/min.
- High accuracy of ± 3 FS.
- Flow rates can be measured without being affected by temperature or voltage.

RoHS Compliant



Ordering Information

Appearance	Case	Applicable fluid	Measured flow rate range	Model number	Minimum order
	Aluminum alloy	City gas (13A) (See note.)	0 to 1 L/min	D6F-01N2-000	1
			0 to 5 L/min	D6F-05N2-000	
		LPG (See note.)	0 to 2 L/min	D6F-02L2-000	

Note: The fluid must be clean, dry gas, with no dust or oil mist.

Absolute Maximum Ratings

Item	Symbol	Rating	Unit
Power supply voltage	Vcc	26.4	VDC
Output voltage	Vout	6	VDC

Performance

Item	Model number	D6F-01N2-000	D6F-05N2-000	D6F-02L2-000
Flow rate		0 to 1 L/min (normal) (See note.)	0 to 5 L/min (normal) (See note.)	0 to 2 L/min (normal) (See note.)
Joints		Re 1/4 thread		
Case material		Aluminum alloy		
Operating conditions	Applicable fluid	City gas (13A)	LPG	
		(The fluid must be clean, dry gas, with no dust or oil mist.)		
	Max. allowable pressure	200 kPa		
	Operating temperature	-10 to 60°C (with no condensation or icing)		
	Operating humidity	85% max. (with no condensation or icing)		
	Storage temperature	-40 to 80°C (with no condensation or icing)		
	Storage humidity	85% max. (with no condensation or icing)		
Power supply voltage		10.8 to 26.4 VDC		
Output signal		Analog output, 1 to 5 VDC (non-linear output)		
Current consumption		Without load: Vcc = 12 to 24 VDC, Vss = 0 V, 25°C, 15 mA max.		
Insulation resistance		Between Sensor outer cover and lead terminals: 20 MΩ min. (at 500 VDC)		
Withstand voltage		Between Sensor outer cover and lead terminals: 500 VAC, 50/60 Hz min. for 1 min (leakage current: 1 mA max.)		

Note: "L/min (normal)" is the volume flow rate at 0°C and 101.3 kPa.

Connections

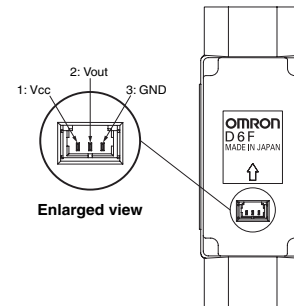
D6F-01N2-000
D6F-05N2-000
D6F-02L2-000

Pin No. 1: Vcc
2: Vout
3: GND

Connectors Molex 51021

Terminals Molex 50079

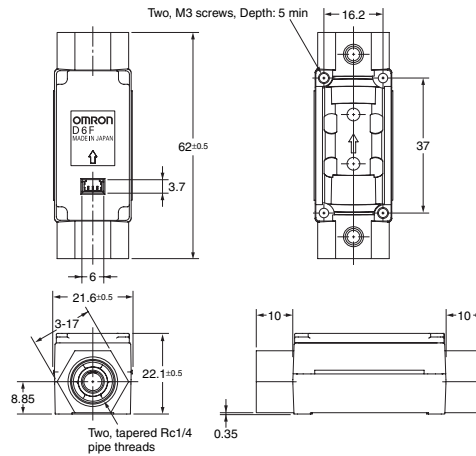
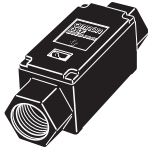
Wires AWG26 or AWG28



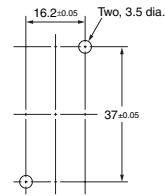
Dimensions

(Unit: mm)

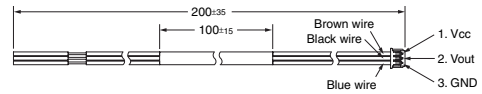
D6F-01N2-000
D6F-05N2-000
D6F-02L2-000



Mounting Hole Dimensions



Lead Wires (Included)



ALL DIMENSIONS SHOWN ARE IN MILLIMETERS.

To convert millimeters into inches, multiply by 0.03937. To convert grams into ounces, multiply by 0.03527.

Cat. No. A180-E1-01 **In the interest of product improvement, specifications are subject to change without notice.**

OMRON Corporation
Electronic Components Company

Semiconductor Division H.Q.
Micro Devices Division
686-1 Ichimiyake, Yasu,
Shiga, 520-2326 JAPAN
Tel: (81)77-587-7486/Fax: (81)77-587-7503

Printed in Japan
0109