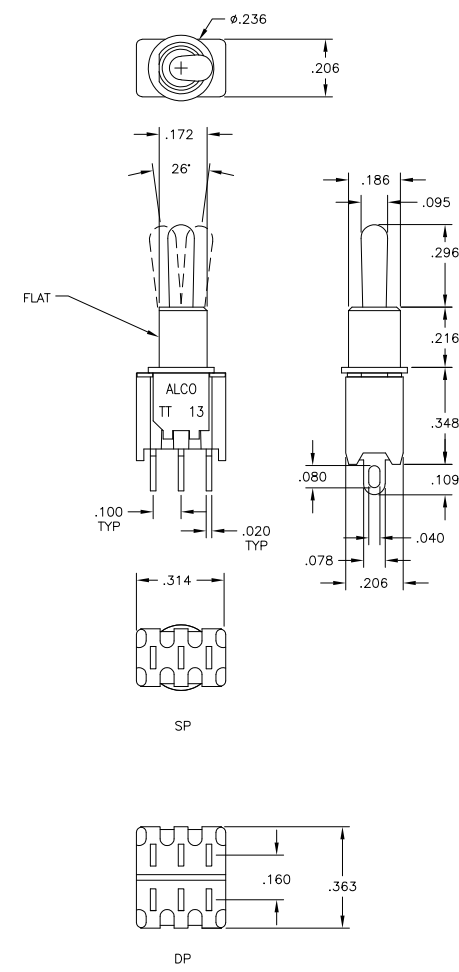


THIS DRAWING IS UNPUBLISHED. RELEASED FOR PUBLICATION
 © COPYRIGHT BY TYCO ELECTRONICS CORPORATION. ALL RIGHTS RESERVED.

LOC	DIST	REVISIONS			
P	LTR	DESCRIPTION	DATE	BY	APPD
D		OG3C-0194-05	26MAR2007	RB	MZ



NOTES:

- MATERIALS:**
 CASE AND ACTUATOR: THERMOPLASTIC, UL94-V0.
 FRAME: STEEL, TIN PLATED
 BUSHING AND ACTUATOR LEVER: BRASS, NICKEL PLATED
 ROCKER CONTACTS: SILVER/BRASS, LAMINATE
 PLUNGER: STAINLESS STEEL, PASSIVATED
 SPRING: MUSICAL WIRE
 TERMINALS: SILVER/BRASS, LAMINATE, SILVER PLATED
 TERMINAL SEAL: SP EPOXY
 DP EPOXY OPTIONAL
- ELECTRICAL:**
 CONTACT RATING: $3A @ 125VAC$ OR $28VDC$ (2 POSITION)
 $2A @ 125VAC$ (3 POSITION)
 INITIAL CONTACT RESISTANCE: 20 MILLIOHMS MAX
 INSULATION RESISTANCE: 1,000 MEGOHMS AT 500 VDC MIN.
 DIELECTRIC STRENGTH: 1,000 VOLTS RMS AT SEA LEVEL
 LIFE EXPECTANCY: 80,000 CYCLES (2 POSITION)
 60,000 CYCLES (3 POSITION).
- ENVIRONMENTAL:**
 OPERATING TEMPERATURE: $-22^\circ F$ TO $+185^\circ F$ ($-30^\circ C$ TO $+85^\circ C$)
 STORAGE TEMPERATURE: $-67^\circ F$ TO $+185^\circ F$ ($-55^\circ C$ TO $+85^\circ C$)
- TT13A2T HAS TERMINALS 1 & 3 ONLY
 TT23K2T HAS TERMINALS 1, 3, 4 & 6
 HARDWARE INCLUDED: 1 HEX NUT AND 1 LOCKWASHER

5-1437562-7	TT23P2T	2 TO 1, 5 TO 4	OFF	2 TO 3, 5 TO 6
5-1437562-1	TT23N2T	2 TO 1, 5 TO 4	NONE	2 TO 3, 5 TO 6
4-1437562-7	TT23K2T	3 TO 1, 6 TO 4	NONE	OFF
9-1437561-5	TT13E2T	2 TO 1	OFF	2 TO 3
8-1437561-5	TT13D2T	2 TO 1	NONE	2 TO 3
7-1437561-8	TT12A2T	3 TO 1	NONE	OFF

TYCO PART NUMBER	MODEL NUMBER	TERMINALS CONNECTED WHEN TOGGLE IN POSITIONS SHOWN.		

DESIGNATION NUMBERS ARE FOR REFERENCE ONLY AND DO NOT APPEAR ON THE SWITCHES.

THIS DRAWING IS A CONTROLLED DOCUMENT.		DATE: 170C2001	Tyco Electronics Corporation	
DIMENSIONS: INCHES		BY: M. BINNER	Harrisburg, Pa 17111	
OTHER DIMENSIONS: MILLIMETERS		CHK: M. ZITTO	Tyco Electronics	
MATERIAL: SEE TABLE		APPD: M. ZITTO	SWITCH, TOGGLE	
FINISH: -		PRODUCT SPEC: -	TT13*2T & TT23*2T	
		APPLICATION SPEC: -	SIZE: A2	RESTRICTED TO: -
		WEIGHT: -	QTY CODE: 00779	DRAWING NO: 7-1437561-8
			C=	SCALE: 8:1
				SHEET 1 OF 1
				REV D
				CUSTOMER DRAWING