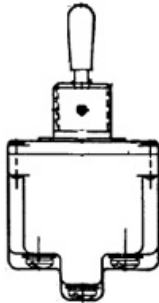




4TL1-12



TL Series Toggle Switch, 4 pole, 3 position, Screw terminal, Standard Lever

Actual product appearance may vary.

Features

- Environment-proof sealing
- 1,2, and 4 pole circuitry
- Standard and pull-to-unlock levers
- 2 and 3 position, maintained and momentary toggle action
- Temperature range: -85°F to +160°F
- Completely sealed switching chamber
- Step-design case provides added space between terminals to help prevent shorting
- UL recognized, CSA certified
- CE approved

Potential Applications

- Industrial machinery and equipment
- Military and commercial aviation
- Construction equipment
- Test instruments
- Agricultural machinery
- Process control
- Medical instrumentation

Description

MICRO SWITCH™ TL Series toggle switches have high strength, temperature resistant, non-tracking case material and silver cadmium oxide contacts. Pull-to-Unlock toggle levers prevent accidental operation; the lever must be pulled approx. 2,3 mm (0.09 inches) to change positions.

Product Specifications			
Circuitry/ Operating action	<p>Keyway Maintained Position</p> <p>3 2 1 6 5 4</p> <p>9 8 7 12 11 10</p> <p>ON</p>	<p>Center Maintained Position</p> <p>3 2 1 6 5 4</p> <p>9 8 7 12 11 10</p> <p>ON</p>	<p>Opposite Maintained Keyway Position</p> <p>3 2 1 6 5 4</p> <p>9 8 7 12 11 10</p> <p>ON</p>
Product Type	MICRO SWITCH™ Toggle Switch		
Ampere/ Voltage Range (Resistive Load)	0.5 A to 20 A at 0.5 Vdc to 28 Vdc, 0.75 A at 115 Vdc, 0.5 A to 15 A at 0.5 Vac to 277 Vac, 0.5 A at 250 Vdc		
Circuitry	4PDT		
Action	3 position		
Mounting	Bushing 15/32 in		
Termination	Screw		
Lever Type	Standard		
UL/CSA Rating Code	L191: 15 A-125, 250, 277 Vac; 1/2 Hp-125 Vac; 1 Hp-250, 277 Vac; 5 A-120 Vac "L"		
Comment	Silver cadmium oxide contacts		
Availability	Global		
UNSPSC Code	30211908		
UNSPSC Commodity	30211908 Toggle switches		
Series Name	TL		

4TL1-12 SERIES
PAGE 1 OF 1 CHART 1

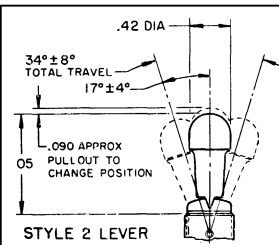
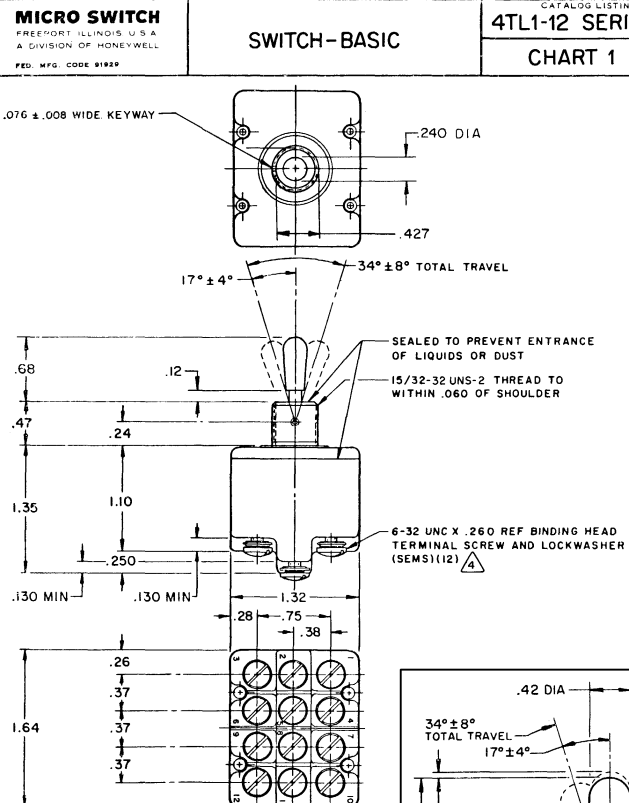
ISSUE 9

REVISIONS
A CO-8150
20 JAN 99
B 94440
6 SEP 99
23 NOV 99

FORMTEK
DRAWN
M.J.B. 16 SEPT 71
CHECKED
L.S.D. 20 SEP 71
CHECKED
E.S.B. 20 SEP 71

REPLACES
RELEASE NO. PR-2093
CHECK
CHECK

MICRO SWITCH FREEPORT ILLINOIS U.S.A. A DIVISION OF HONEYWELL FED. MFG. CODE 9192		CATALOG LISTING 4TL1-12 SERIES CHART 1		THIS DRAWING COVERS A PROPRIETARY ITEM AND IS THE PROPERTY OF MICRO SWITCH, A DIVISION OF MINNEAPOLIS-HONEYWELL REGULATOR CO. THIS DRAWING IS NOT TO BE COPIED OR USED WITHOUT THE APPROVAL OF MICRO SWITCH.										
CAT. LIST.	AVAILABLE LOCKING COMBINATIONS FOR CONFIGURATION SEE LETTERED DETAILS	STYLE NO.	MILITARY RATING (AMPS)										MS NUMBER	
			RESISTIVE LOAD		LAMP LOAD		INDUCTIVE LOAD		CONTINUOUS					
4TL1-12	NONE	1	20	75	5	15	6	5	4	12	15			27406-1
△ 4TL1-12	A,B, D,E,F,G,H,J,K,L,M,N,P	2												27409-1
"A"		"B"		"D"		"E"		"F"		"G"				
"H"		"J"		"K"		"L"		"M"		"N"				
"P"														
LEVER ON KEYWAY SIDE			LEVER IN CENTER			LEVER OPPOSITE KEYWAY								
MAINTAINED POSITION			MAINTAINED POSITION			MAINTAINED POSITION								
<p>NOTES</p> <p>1 - SWITCHES ARE CAPABLE OF WITHSTANDING A TEMPERATURE OF 160°F CONTINUOUSLY AT FULL RATED LOAD</p> <p>2 - CIRCUIT DESIGNATION AND MICRO SWITCH CATALOG LISTING MARKED ON SIDE OF SWITCH</p> <p>KEYWAY SHOWN ON LEFT SIDE</p> <p>△ FURNISHED UNASSEMBLED</p> <p>5 - FOR TERMINAL COVER SEE MICRO SWITCH CATALOG LISTING 5PA9</p> <p>△ SUFFIX LETTER MUST BE ADDED FOR DESIRED TYPE TOGGLE LOCKING. SEE CHART FOR AVAILABLE LOCKING COMBINATIONS</p>														



STYLE 2 LEVER

L191 15A 125, 250, 277 VAC
1/2HP 125 VAC
1HP 250, 277 VAC
5A 125 VAC "L"

CE
RU

SCALE FULL
DO NOT SCALE PRINT
UNLESS OTHERWISE NOTED
DIMENSIONS ARE IN INCHES
TOLERANCES ARE:
ONE PLACE .01 .010
TWO PLACE .001 .001
THREE PLACE .000 .001
ANGLES .005 .005
WEIGHT