

110/216-Series



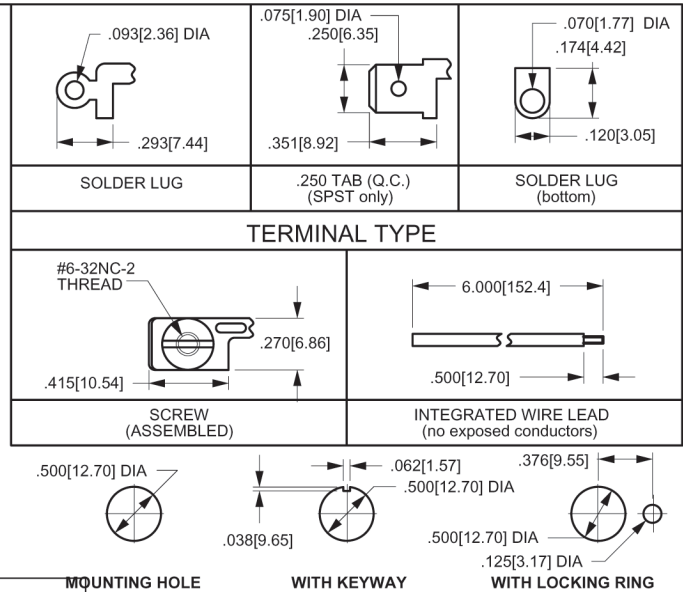
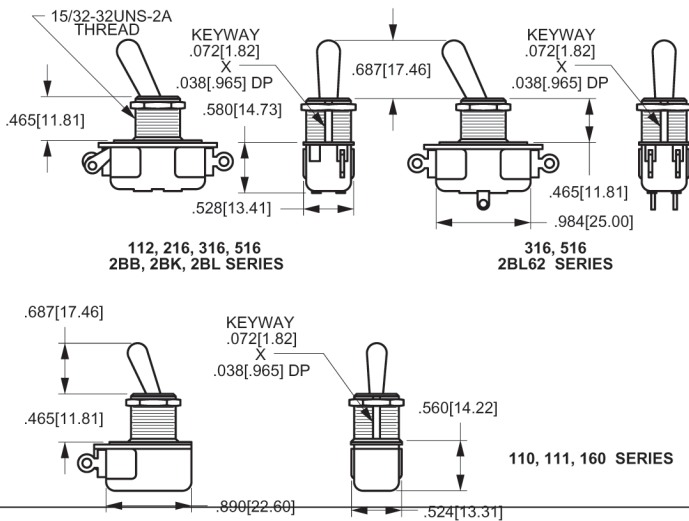
The 110/216-Series toggle switches utilize a quick-make, quick-break contact mechanism and are available in both single and double pole. These switches are 125-250 volts AC/DC rated and suitable for shallow back panel applications. They are available in a range of circuits, terminations and bushing/toggle configurations.

Specifications

- Certifications*: UL, CSA
- Dielectric Strength: 1,000V (minimum)
- Insulation Resistance: 100 Megohms (minimum)
- Base Material: Phenolic
- Actuator Material: Brass/Nickel Plate
- Bushing Material: Brass/Nickel Plate

* Due to ongoing technological advances, consult factory for certification specifics.

Dimensional Specifications: in. [mm]



| 110 SERIES | | 110 | | - | |
|------------------------------------|--|--|--|-----------------|-----------------------------------|
| MAINTAINED | (ON) MOMENTARY NORMALLY OPEN | (OFF) MOMENTARY NORMALLY CLOSED | TERMINAL | CIRCUIT & POLES | RATING ¹ |
| 110 110-B 110-S 111-16 | 110-M-NO 110-BM-NO 110-SM-NO 111-16M-NO | 110-M-NC 110-BM-NC 110-SM-NC 111-16M-NC | SOLDER LUG-END SOLDER LUG-BTM SCREW TERM. WIRE LEAD | SP-ST | 3A 250V 6A 125V |
| 112 112-A | 112-M 112-M-A | NONE | SOLDER LUG-END WIRE LEAD | SP-DT | 1A 250V 3A 125V |
| 216 216-A | 216-M-NO 216-M-ANO | 216-M-NC 216-M-ANC | SOLDER LUG-END WIRE LEAD | DP-ST | |
| 316 316-B | NONE | 316-M 316-BM | SOLDER LUG SOLDER LUG-BTM | DP-DT | |
| 516 516-A 516-B | NONE | 516-M 516-AM 516-BM | SOLDER LUG-END WIRE LEAD SOLDER LUG-BTM | 2 CIRCUIT | |
| 2BB65 2BB62 | NONE | NONE | WIRE LEAD SOLDER LUG-END | SP-DT | 6A 125VAC |
| 2BK65 2BK62 | NONE | NONE | WIRE LEAD SOLDER LUG-END | DP-ST | 3A 250V 6A 125V |
| 2BL62 2BL63 | NONE | NONE | SOLDER LUG-END SOLDER LUG-BTM | DP-DT | |
| 160H 160H-A 160H-B 160H-S | NONE | NONE | SOLDER LUG-END WIRE LEAD SOLDER LUG-BTM SCREW TERM. | SP-ST | 5A 250V 10A 125V 1/4HP 125V |

| 73 TOGGLE STYLE ² | | | | | |
|------------------------------|---------------|----------------|------------|---------------|--|
| BAT | TOGGLE LENGTH | BUSHING LENGTH | SUFFIX NO. | NEOPRENE SEAL | |
| | .375 | .343 | 52 | 57 | |
| | .500 | .465 | 63 | 68 | |
| | .687 | .465 | 73 | 78 | |
| | .375 | .250 | 21 | --- | |
| | .375 | .343 | 22 | --- | |

NOTES:
Shading indicates standard configurations.
Tab terminals available on all above SP-ST switches. Add suffix /TABS. (ex.) 110-73/TABS
1 Additional ratings available. Consult factory.
2 Momentary functions are available only with 73 toggles.