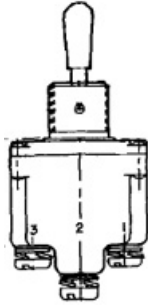




### 1TL1-7



*Actual product appearance may vary.*

**TL Series Toggle Switch, 1 pole, 3 position, Screw terminal, Standard Lever, Military Part Number MS24523-27**

#### Features

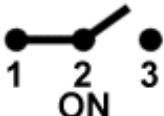

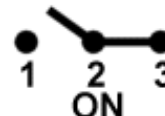
- Qualified to MIL-S-3950
- Environment-proof sealing
- 1,2, and 4 pole circuitry
- Standard and pull-to-unlock levers
- 2 and 3 position, maintained and momentary toggle action
- Temperature range: -85°F to +160°F
- Completely sealed switching chamber
- Step-design case provides added space between terminals to help prevent shorting
- UL recognized, CSA certified
- CE approved

#### Potential Applications

- Industrial machinery and equipment
- Military and commercial aviation
- Construction equipment
- Test instruments
- Agricultural machinery
- Process control
- Medical instrumentation

#### Description

MICRO SWITCH™ TL Series toggle switches have high strength, temperature resistant, non-tracking case material and silver cadmium oxide contacts. Pull-to-Unlock toggle levers prevent accidental operation; the lever must be pulled approx. 2,3 mm (0.09 inches) to change positions.

Product Specifications	
Circuitry/ Operating action	<div style="display: flex; justify-content: space-around; align-items: center;"> <div style="text-align: center;"> <p><b>Keyway Position</b></p>  </div> <div style="text-align: center;"> <p><b>Center Position</b></p>  </div> <div style="text-align: center;"> <p><b>Opposite Keyway Position</b></p>  </div> </div>
Product Type	MICRO SWITCH™ Toggle Switch
Ampere/ Voltage Range (Resistive Load)	0.5 A to 15 A at 0.5 Vdc to 28 Vdc, 0.5 A to 10 A at 0.5 Vac to 277 Vac, 0.5 A at 250 Vdc, 0.75 A at 115 Vdc
Circuitry	SPDT
Action	3 position
Mounting	Bushing 15/32 in
Termination	Screw
Military Part Number	MS24523-27
Lever Type	Standard
UL/CSA Rating Code	L192: 10 A-125, 250, 277 Vac; 1/4 Hp-125 Vac; 1/2 Hp-250, 277 Vac; 3 A-120 Vac "L"
Comment	Silver cadmium oxide contacts
Availability	Global
UNSPSC Code	30211908
UNSPSC Commodity	30211908 Toggle switches
Series Name	TL

**MICRO SWITCH**  
a Honeywell Division  
FED. MFG. CODE 91929

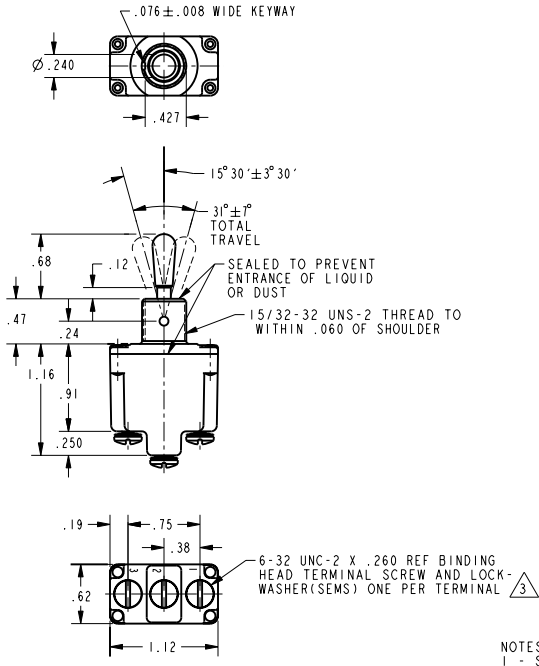
**SWITCH - TOGGLE**

**ITL1 SERIES CHART 1**

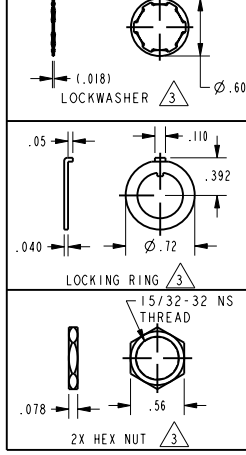
CATALOG LISTING

THIS DRAWING COVERS A PROPRIETARY ITEM AND IS THE PROPERTY OF MICRO SWITCH, A DIVISION OF HONEYWELL. THIS DRAWING IS NOT TO BE COPIED OR USED WITHOUT THE APPROVAL OF MICRO SWITCH

CATALOG LISTING  
**ITL1 SERIES CHART 1**  
 ISSUE 23  
 REVISIONS  
 A CO-94429  
 3 A  
 24 NOV 99  
 PTC/CAD 20  
 DRAWN  
 S A V 24 NOV 99  
 CHECK JAF 24 NOV 99  
 CHECK  
 RELEASE NO.  
 REPLACES



CATALOG LISTING	CIRCUIT MADE WITH TOGGLE LEVER IN			MILITARY STANDARD NUMBER	MILITARY RATING (AMPS)								
	KEYWAY SIDE (1-2)	CENTER (1-2)	OPPOSITE KEYWAY (2-3)		RESISTIVE LOAD DC VOLTS	RESISTIVE LOAD LAC VOLTS	LAMP LOAD VDC	INDUCTIVE LOAD VAC	INDUCTIVE LOAD VDC	INDUCTIVE LOAD VAC			
ITL1-1	ON	OFF	ON	MS24523-21	20	125	250	125	250	28	125	28	125
ITL1-2	OFF	NONE	ON	MS24523-22									
ITL1-3	ON	NONE	ON	MS24523-23									
ITL1-21	NONE	OFF	ON	MS24523-24									
ITL1-31	NONE	ON	ON	MS24523-33									
ITL1-4	MOM OFF	NONE	ON	MS24523-29									
ITL1-5	MOM ON	OFF	ON	MS24523-31									
ITL1-6	MOM ON	NONE	OFF	MS24523-30	15	75	150	75	150	6	4	2	10
ITL1-7	MOM ON	OFF	MOM ON	MS24523-27									
ITL1-8	MOM ON	NONE	ON	MS24523-26									
ITL1-51	NONE	ON	MOM ON	MS24523-32									
ITL1-61	MOM ON	OFF	NONE	MS24523-28									



- NOTES
- SWITCHES ARE CAPABLE OF WITHSTANDING A TEMPERATURE OF 160° F CONTINUOUSLY AT FULL RATED LOAD
  - CIRCUIT DESIGNATION, MICRO SWITCH CATALOG LISTING AND "MS" NUMBER MARKED ON SIDE OF SWITCH
  - FURNISHED UNASSEMBLED
  - FOR TERMINAL COVER, SEE MICRO SWITCH CATALOG LISTING 5PA7
  - APPLIES ONLY TO "ON" AND "MOMENTARY ON" POSITIONS
  - THESE SWITCHES ARE QUALIFIED UNDER MIL-S-3950

THIRD ANGLE PROJECTION
SCALE FULL
DO NOT SCALE PRINT
UNLESS OTHERWISE SPECIFIED TOLERANCES ARE
ONE PLACE (.01) ±.030
TWO PLACE (.00) ±.015
THREE PLACE (.000) ±.005
ANGLES ±
WEIGHT .07 LBS APPROX

15A-125, <u>250</u> OR 277 VAC	CE	10A-125, <u>250</u> , 277 VAC	CE
1/2 HP-125VAC: 1 HP- <u>250</u> , 277 VAC		1/4 HP-125VAC: 1/2 HP- <u>250</u> , 277 VAC	
5A-125VAC "L" CODE L191	RU	3A-125VAC "L" CODE L192	RU

ANSI Y14.5M-1982 APPLIES