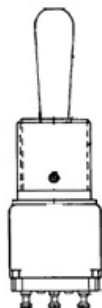




12TW1-1



Actual product appearance may vary.

TW Series Toggle Switch, 2 pole, 3 position, Solder terminal, Standard Lever, Military Part Number MS27719-21-1

Features

- Qualified to MIL-S-83731
- Save space and weight
- SPDT and DPDT circuitry
- Temperature range: -85°F to +160°F (-65°C to +71°C)
- Sealed bushing versions
- Choice of 1/8 in. or 15/32 in. bushing
- Color tab available on 15/32 in. bushing
- UL recognized

Potential Applications

- Industrial machinery and equipment
- Military and commercial aviation
- Construction equipment
- Test instruments
- Agricultural machinery
- Process control
- Medical instrumentation

Description

MICRO SWITCH™ miniature toggle switches in two bushing sizes. Molded-in terminals are plated for soldering. Momentary and maintained circuitry closures available. Special on-on-on circuitries are also available. Pull-to-unlock levers prevent accidental operation.

Product Specifications			
Circuitry/ Operating action	Keyway Position	Center Position	Opposite Keyway Position
	<p>1 2 3</p>	<p>1 2 3</p>	<p>1 2 3</p>
	<p>6 5 4</p> <p>ON</p>	<p>6 5 4</p> <p>OFF</p>	<p>6 5 4</p> <p>ON</p>
Product Type	MICRO SWITCH™ Toggle Switch		

Ampere/ Voltage Range (Resistive Load)	0.1 A to 5.0 A at 0.5 Vac to 115 Vac,0.1 A to 5.0 A at 0.5 Vdc to 28 Vdc
Circuitry	DPDT
Action	3 position
Mounting	Bushing 15/32 in
Termination	Solder
Military Part Number	MS27719-21-1
Lever Type	Standard
UL/CSA Rating Code	L117: 5 A at 125 Vac
Comment	Fine silver contacts
Availability	Global
UNSPSC Code	30211908
UNSPSC Commodity	30211908 Toggle switches
Series Name	TW

CATALOG LISTING
12TWI SERIES CHART 1

ISSUE
20

REVISIONS

A	CO	61258	WAM	MAR 87
B	CO	62194	JAF	AUG 87
C	CO	62935	JAF	FEB 88
D	CO	63388	JAF	FEB 88
E	CO	63388	JAF	NOV 88

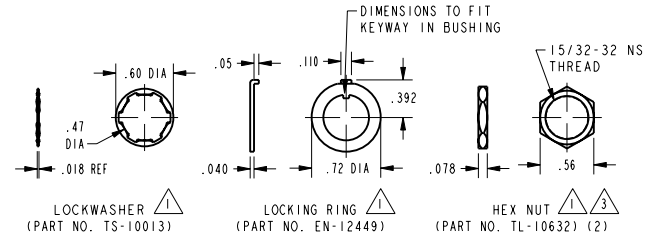
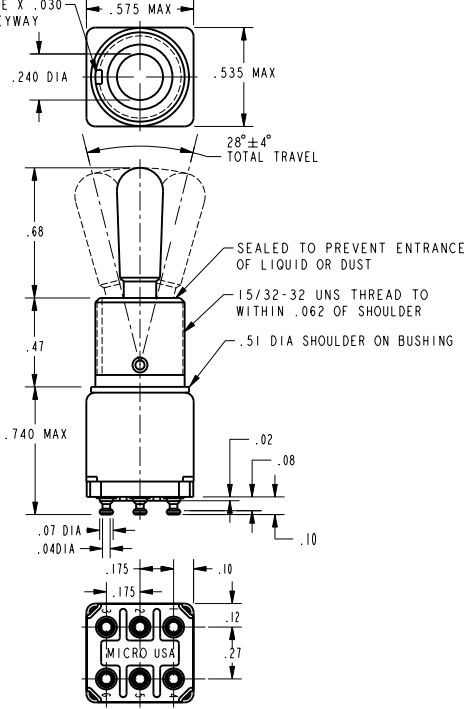
PTC/CAD
20

DRAWN
LJK

MICRO SWITCH
a Honeywell Division
FED. MFG. CODE 91929

SWITCH - TOGGLE

CATALOG LISTING
**12TWI SERIES
CHART 1**



CATALOG LISTING	ONE EXTREME POSITION (KEYWAY)	CENTER POSITION	OTHER EXTREME POSITION (OPPOSITE KEYWAY)	MS NUMBER
12TWI-1	ON 2-1 5-4	OFF 1-2 4-5	ON 2-3 5-6	MS27719-21-1
12TWI-2	OFF	NONE	ON	MS27719-22-1
12TWI-3	ON	NONE	ON	MS27719-23-1
12TWI-5	MOM ON	OFF	ON	MS27719-31-1
12TWI-7	MOM ON	OFF	MOM ON	MS27719-27-1
12TWI-8	MOM ON	NONE	ON	MS27719-26-1
①	NONE	ON	ON	

NOTES
 △ FURNISHED UNASSEMBLED
 2 - TERMINALS ARE PLATED FOR SOLDERING

THIS DRAWING COVERS A PROPRIETARY ITEM AND IS THE PROPERTY OF MICRO SWITCH, A DIVISION OF HONEYWELL. THIS DRAWING IS NOT TO BE COPIED OR USED WITHOUT THE APPROVAL OF MICRO SWITCH.		THIRD ANGLE PROJECTION
CHARACTERISTICS	ELECTRICAL DATA	SCALE 2 : 1
	CONTACT ARRANGEMENT	DO NOT SCALE PRINT
	5A-125 VAC	UNLESS OTHERWISE SPECIFIED TOLERANCES ARE
	-L117-	ONE PLACE (.01) ±.030
		TWO PLACE (.00) ±.015
		THREE PLACE (.000) ±.005
		ANGLES ±
		WEIGHT .025 LB MAX

ANSI Y14.5M-1982 APPLIES