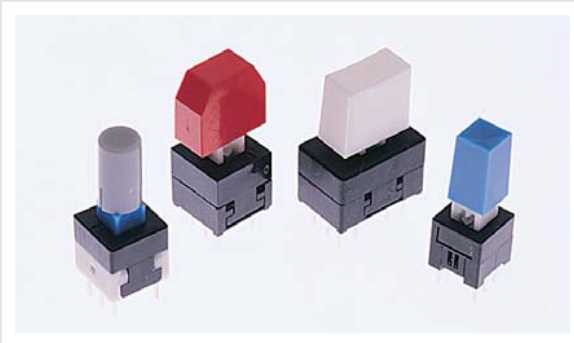




SERIES TL 2201 SWITCHES

PUSHBUTTON SWITCHES - SUB MINIATURE



SPECIFICATIONS

| | |
|------------------------|----------------------|
| Contact Rating: | 100mA@30 VDC |
| Life Expectancy: | 10,000 cycles |
| Contact Resistance: | 100mΩ max. |
| Insulation Resistance: | 100MΩ min. |
| Dielectric Strength: | 500 VAC |
| Actuation Force: | See individual model |
| Travel: | See individual model |

MATERIALS

| | |
|---------------|-------------------------------|
| Housing: | PBT |
| Actuator: | Acetal |
| Cover: | Acetal |
| Contacts: | Silver plated phosphor bronze |
| Terminals: | Silver plated copper alloy |
| Spring: | Stainless steel |
| Latching Pin: | Stainless steel |

FEATURES & BENEFITS

- ▶ Momentary & latching designs
- ▶ Long travel

APPLICATIONS/MARKETS

- ▶ Telecommunications
- ▶ Networking
- ▶ Computers/servers
- ▶ Performance audio
- ▶ Instrumentation
- ▶ Low power on/off designs
- ▶ External hard drives and modems



HOW TO ORDER

| SERIES | MODEL NO. | MECHANICAL CONFIGURATION | ACTUATOR ("L" Dimension) | TERMINATION | CAP (Where Avail.) | CAP COLOR |
|--------|----------------------------|---------------------------------|--------------------------|---------------|--------------------|-----------|
| TL | 2230 2285 | EE = Latching OA = Momentary | (None) = Std. | (None) = Std. | See Cap Section | |
| TL | 2201 = DPDT 4201 = 4PDT | EE = Latching OA = Momentary | X Y Z | A B | See Cap Section | |
| | 2202* 2203 | EE = Latching OA = Momentary | | | | |



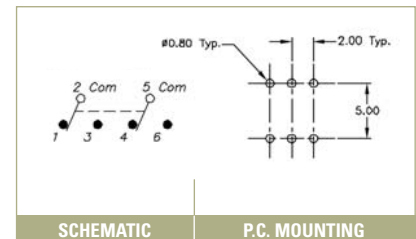
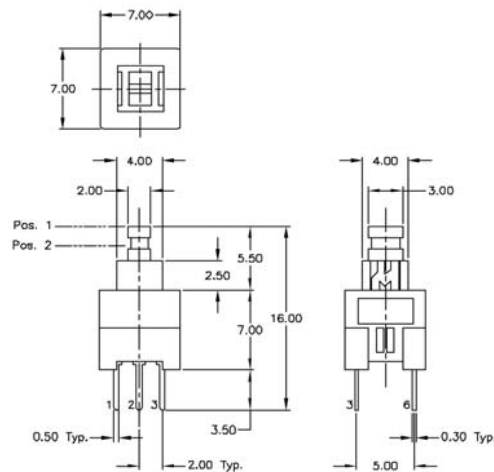
Example Ordering Number

TL-2201-EE-Y-B-.09-BLK

*Note: TL 2202 is an MBB (shorting) version.

Specifications subject to change without notice.

TL 2230



SERIES TL 2201 SWITCHES

PUSHBUTTON SWITCHES - SUB MINIATURE

TACT SWITCHES

NAVIGATION SWITCHES

PUSHBUTTON SWITCHES

TOGGLE SWITCHES

ROCKER SWITCHES

SLIDE SWITCHES

SNAP-ACTION SWITCHES

DIP SWITCHES

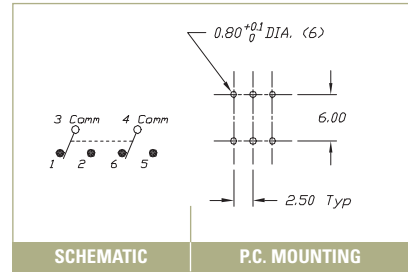
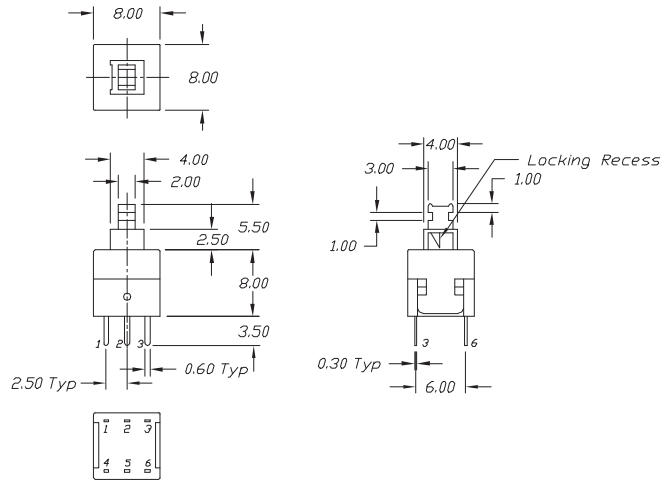
KEYLOCK SWITCHES

ROTARY SWITCHES

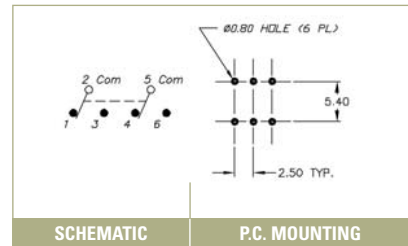
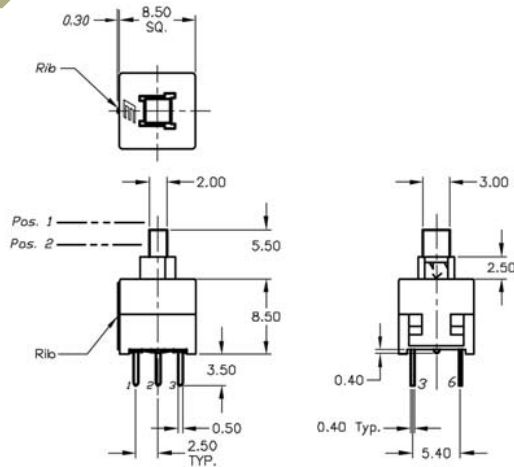
DETECTOR SWITCHES

CAP OPTIONS

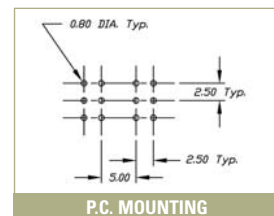
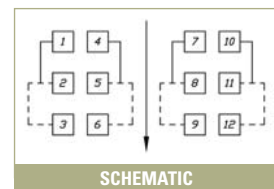
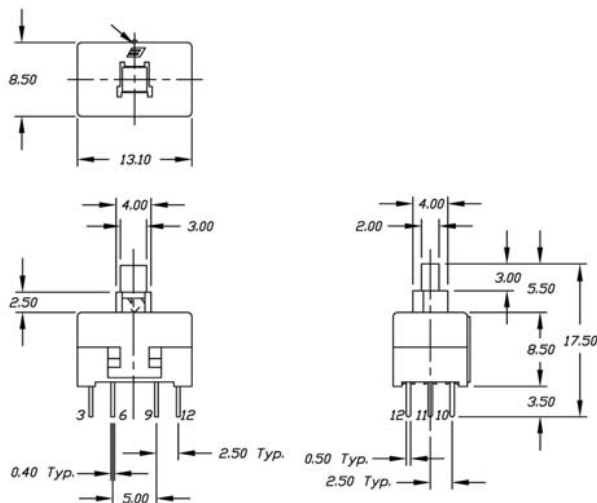
TL 2285



TL 2201

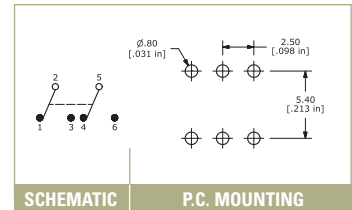
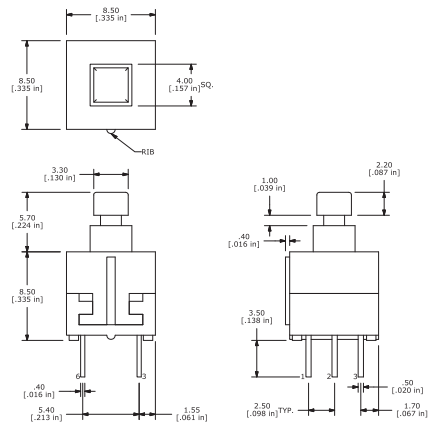


TL 4201

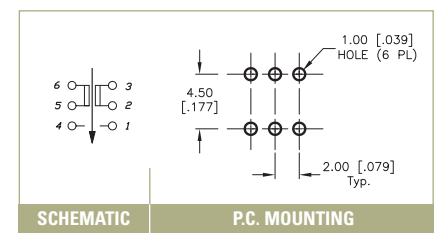
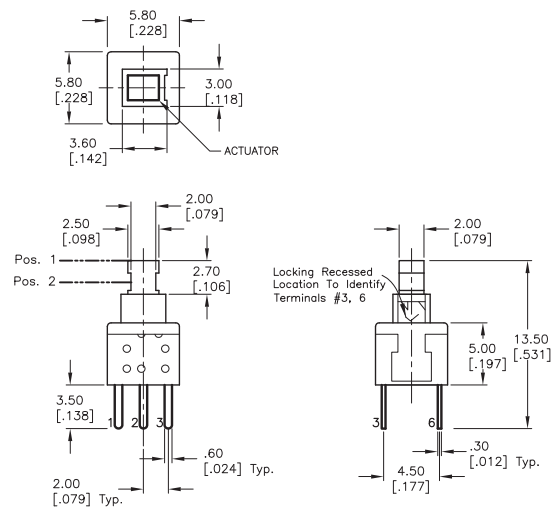




TL 2202

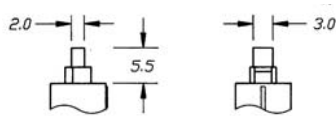


TL 2203



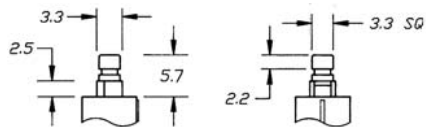
ACTUATOR OPTIONS – TL 2201 & TL 4201

X



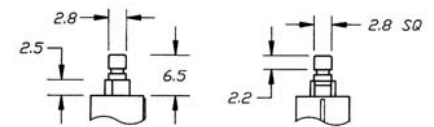
See Cap Section

Y



See Cap Section

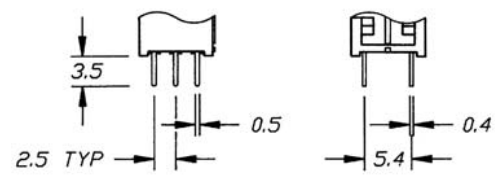
Z



See Cap Section

TERMINATION OPTIONS – TL 2201 & TL 4201

A



B

