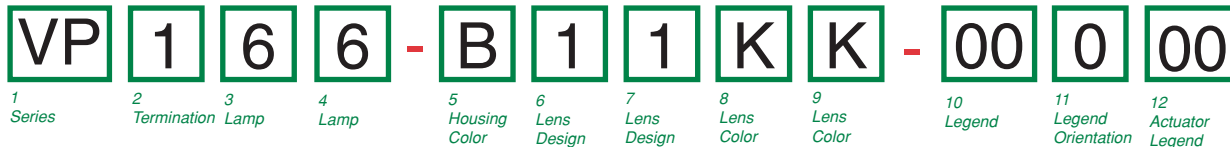


VP-Series Contura Illuminated Indicator



The Illuminated Indicator is offered with removable/replaceable lamps, Contura styling, and LED illumination. As a critical safety feature, it's illumination alerts the operator of essential system functions or malfunctions like: oil pressure, high temperature, transmission or other fluid levels, parking brake, or general system malfunction. Three different style housings (flush, raised panel, oval) assure seamless integration into most any dashboard panel.



1 SERIES
VP Illuminated plug
H2¹ housing only
H3² lamp module only
HP1-01 VP connector for oval and flush bezel only
VC1-01 VP connector for raised bezel only

2 TERMINATION
1 .250 TAB

3,4 LAMP (same coding for both selections)^{4,5,6,8,9,12}
 Selection 6: above terminals 1 & 4; Selection 7: above terminals 3 & 6
 No lamp **0**
 Neon **1** 125VAC **2** 250VAC
 Incandescent **4** 3V **5** 6V **6** 12V **7** 18V **8** 24V
 LED **A** Amber **F** Green **L** Red
 2VDC **L**
 6VDC **M** **G** **R**
 12VDC **N** **H** **S**
 24VDC **P** **J** **T** **V**
 *Typical current draw for LED is 20ma.

5 HOUSING COLOR

	flush bracket	raised bracket ¹³	oval bezel (Contura V)
Black	B	6	1
Gray	W	-	2
White	R	5	3
Red	G	-	4

6,7 SQUARE LENS DESIGN (same coding for both selections)^{4,5,6,11,12}

Z no lens	3 laser etched ¹⁰
1 transparent diamond square ¹⁰	4 transparent oval
2 translucent square ⁷	5 translucent oval

8, 9 LENS (same coding for both selections)^{3,4,5,6,9}
 Lens color for LEDs must be clear, white, or match color of LED.
Z No Lens

Clear	White	Amber	Green	Red	Blue	Lens Style
4	9	E	K	R	W	One piece Square/Oval¹¹
5	A	F	L	S	Y	Two piece Square* (w/ clear top protective lens)
2	7	C	H	N	U	Two piece Square* (w/ smoke top protective lens)
1	6	B	G	M	T	Two piece Square* (w/ white top protective lens)

* All bottom lenses are molded of opaque material. Consult factory for other lens colors.

10 LAMP #1 LENS OR BODY LEGEND⁵
00 No legend
 For legend options & codes, see page 69 of this catalog

11 LEGEND ORIENTATION

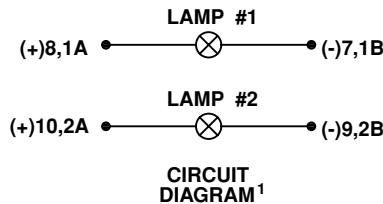
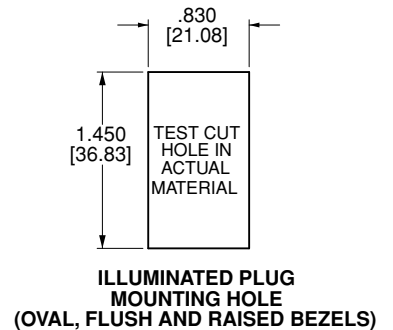
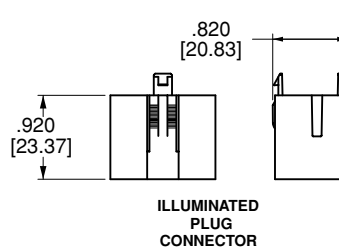
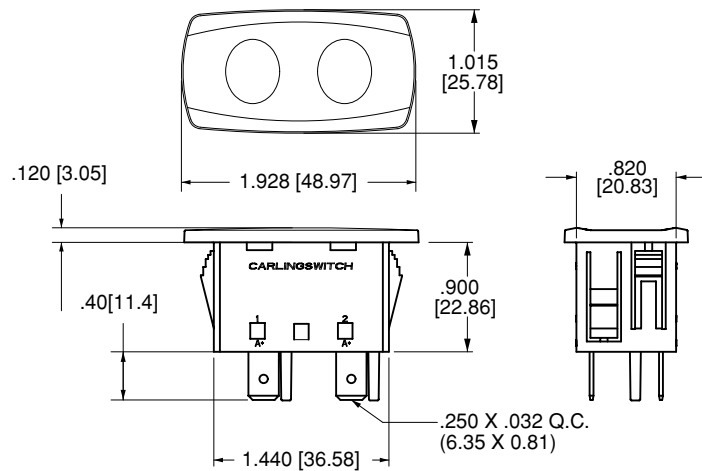
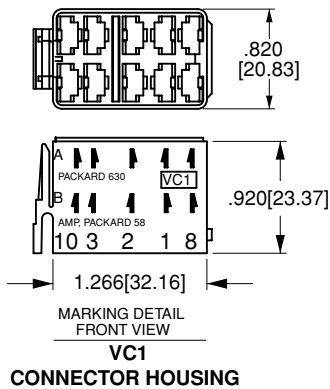
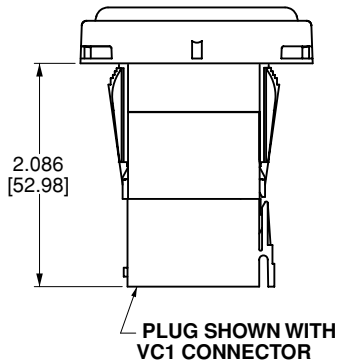
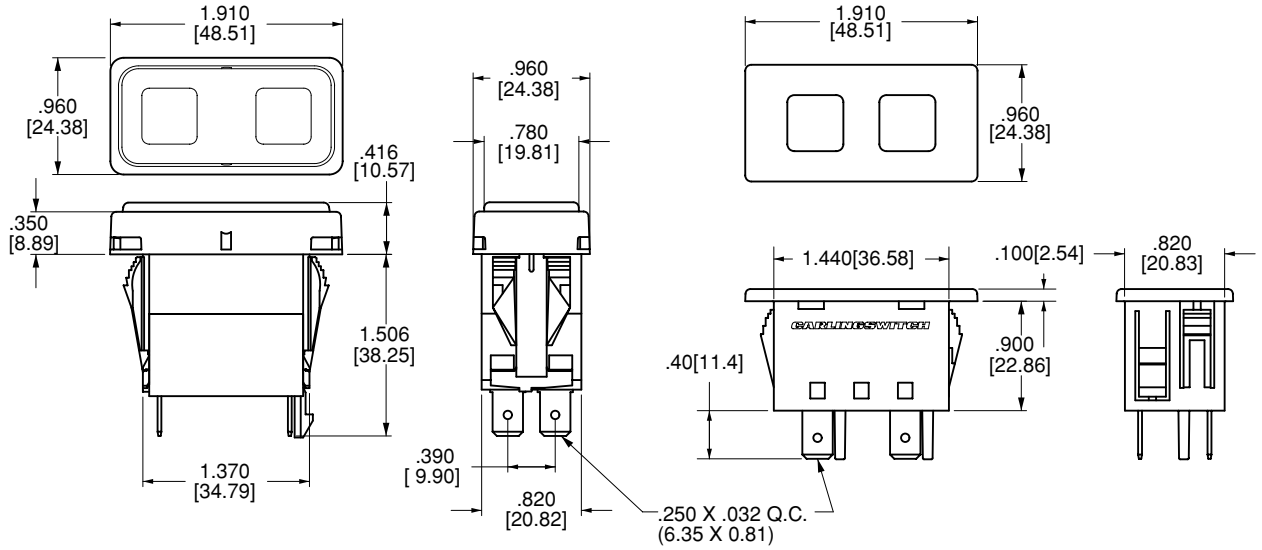
0	No legend
1	Orientation 1
2	Orientation 2
3	Orientation 3
4	Orientation 4

12 LAMP #2 LENS OR BODY LEGEND⁵
00 No legend
 For legend options & codes, see page 69 of this catalog

NOTES

- To order housing with lenses only, specify H2 followed by fields 5-12. (flush bezel only)
- To order lamp module only, specify H3 followed by fields 2-3. (flush bezel only)
- Two piece lens not available with oval bezel.
- If only 1 lamp, specify 0 in selection 4 and Z in selections 7 & 9.
- Lamp and lens #1 located over terminals 1A and 1B for flush & oval bezel.
- Lamp and lens #2 located over terminals 2A and 2B for flush & oval bezel.
- Available with 2 piece lens option only.
- Neon lamps not recommended with blue or green lenses.
- Green or blue lenses not recommended with neon lamps.
- Available with one piece lens option only.
- Oval bezel available with oval lens only. Oval lens available with oval bezel only.
- Lamp & lens #1 located over terminals 7 & 8, & #2 located over 9 & 10 for raised bezel option.
- Both bracket and insert will be same color. For white bracket with black insert, specify 7. For black bracket with white insert, specify 8.

Dimensional Specifications: in. [mm]



(OVAL, FLUSH AND RAISED BEZELS) MOUNTING PANEL THICKNESSES:

.062 [1.57]	.250 [6.35]
.093 [2.36]	.375 [9.52]
.125 [3.17]	.500 [12.70]
.187 [4.75]	

NOTES

1 Oval and flush bezel styles use terminals 1A, 1B, 2A, 2B. Raised bezel style uses terminals 7,8,9,10.