



### LSA1A



Series HDLS Plug-in: Side Rotary; 1NC  
1NO SPDT Snap Action; 0.5 in - 14NPT  
conduit

**Order Lever Separately**

*Actual product appearance may vary.*

#### Features

- Wide variety of operating heads
- Field adjustable operating modes, for reduced inventory
- Convenience of on-the-spot adjustment instructions
- Complete choice of circuitry and electrical rating options
- Plug-in and non plug-in versions have identical operating characteristics and are dimensionally interchangeable
- Manifold (rear-wire) version
- Explosion-proof versions
- Low temperature versions to -40°C (-40°F)
- Captive head and body screws
- Designed to withstand seismic shock
- Stainless steel (NEMA 4X) versions
- Pre-leaded cable or pre-wired connector types
- Epoxy filled wash down (NEMA 6P) types
- Completely fluorocarbon (FC) sealed versions

#### Description

#### Potential Applications

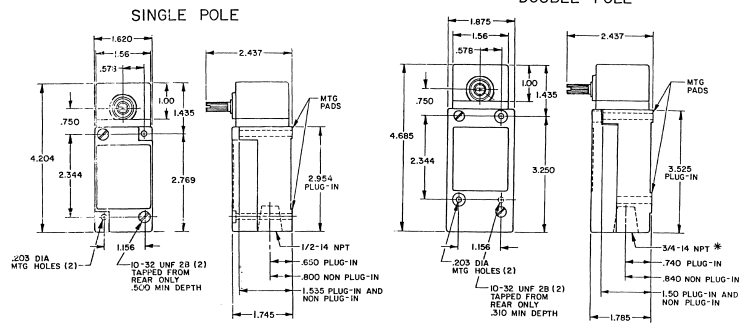
- Machine Tools
- Material Handling
- Packaging
- Presses
- Pulp and Paper
- Welding
- PLC Interface

Sensing and Control offers the world's most advanced line of MICRO SWITCH™ heavy-duty limit switches. These switches include boss-and-socket head design for secure head-to-body retention, unique all-metal drive train for consistent operating characteristics even at high temperature (lasts longer without the need for frequent adjustment than drive trains with plastic parts,) self-lifting pressure plate terminals save wiring time, easily identified grounding terminal (inside) for compliance with OSHA and other regulatory agency standards, one piece flat gasket (seals better than gaskets that go around curves and corners, does not contact terminal pins to reduce chances of fluid migration,) front mounting and interchangeability of single- and double-pole switches, plug-in and non plug-in with one another and with other switch brands, tracking interchangeability of actuator levers for single- and double-pole switches, plug-in and non plug-in, twin shaft seals for an extra measure of protection, inner FC O-ring seal, outer Buna-N seal (all FC available,) FC shaft and diaphragm seals on side rotary switches, rugged corrosion-resistant zinc head and body are phosphate treated and epoxy finished, exclusive teller tab assures proper torque (when it cannot be moved the lever is tight enough to prevent slippage) and domestic and international conduit taps.

Product Specifications	
Availability	Global
Operating Force (O.F.)	0,45 N m max. [4 in lb max.]
Pretravel (P.T.)	15° max.
Overtravel (O.T.)	60° min.
Differential Travel (D.T.)	5° max.
Product Type	MICRO SWITCH™ Heavy-Duty Limit Switches
Actuator	Side Rotary
Lever Style	Lever Not Included - Reference Lever Required Accessory
Circuitry	1NC 1NO Single-Pole Double-Throw, Snap-Action, Double-Break
Ampere Rating	10 A (Thermal)
Supply Voltage	600 Vac and 250 Vdc max.
Housing Material	Zinc Die-Cast
Termination Type	0.5 in - 14NPT conduit
Housing Type	HDLS Plug-in
Series Name	HDLS
Sealing	NEMA 1, 3, 4, 4X, 6, 6P, 12, 13
Approvals	UL listed, CSA Certified, CE Certified, CCC Certified
CSA File #	LR57326/Master Contract 152457
UL File #	E37138
Operating Temperature Range	-12 °C to 121 °C [10 °F to 250 °F]
Agency Approvals and Standards	EN60947-1, EN60947-5-1
UNSPSC Code	302119
UNSPSC Commodity	302119 Switches and controls and relays
Sealed	Industrial

OPERATING CHARACTERISTICS	LSA		LSR		LSN		LSP		LSH	
	MOMENTARY		MOMENTARY LOW TORQUE		MAINTAINED		MOMENTARY LOW PRETRAVEL AND DIFF. TRAVEL		MOMENTARY LOW PRETRAVEL AND LOW TORQUE	
PRETRAVEL(MAX)	1°		1°		15°		60°		140°	
DIFFERENTIAL TRAVEL(MAX)	SINGLE POLE 50°		SINGLE POLE 50°		DOUBLE POLE 40°		SINGLE POLE 30°		DOUBLE POLE 30°	
TOTAL TRAVEL (EEP)	75°		75°		90°		75°		15°	
OPERATING TORQUE(MAX)	4 IN. LBS		1.7 IN. LBS		4 IN. LBS		4 IN. LBS		1.7 IN. LBS	
FULL TRAVEL TORQUE(MAX)	4 IN. LBS		1.7 IN. LBS		4 IN. LBS		4 IN. LBS		1.7 IN. LBS	
OPERATING CHARACTERISTICS	LSU		LSL		LSM		LST		LSS	
	LOW PRETRAVEL		SEQUENCE DOUBLE POLE ONLY		CENTER NEUTRAL DOUBLE POLE ONLY		MOMENTARY		GRAVITY RETURN	
PRETRAVEL(MAX)	5°		18° STEP 1°		18°		18°		NOT APPLICABLE	
OVERTRAVEL(MIN)	75°		2ND STEP 18° ADD'L		50°		50°		NOT APPLICABLE	
DIFFERENTIAL TRAVEL(MAX)	SINGLE POLE 50°		DOUBLE POLE 50°		50°		50°		12°	
TOTAL TRAVEL (EEP)	75°		75°		75°		75°		160°	
OPERATING TORQUE(MAX)	4 IN. LBS		4 IN. LBS		4 IN. LBS		12 IN-OZ		5 IN-OZ	
FULL TRAVEL TORQUE(MAX)	4 IN. LBS		4 IN. LBS		4 IN. LBS		12 IN-OZ		5 IN-OZ	

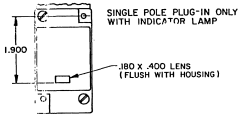
SIDE ROTARY



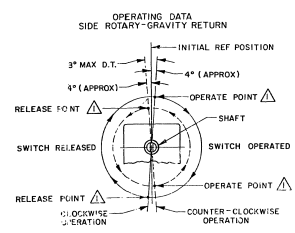
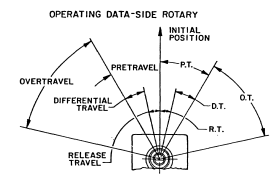
TYPE: LSA1, LSH1, LSN1, LSP1, LSR1  
LSA3, LSH3, LSN3, LSP3, LSR3  
LSS1, LST1

TYPE: LSA2, LSH2, LSM2, LSN2, LSP2, LSR2  
LSA4, LSH4, LSM4, LSN4, LSP4, LSR4

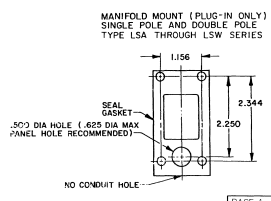
\*LSA6, LSH6, LSM6, LSN6, LSP6, LSR6  
LSA7, LSH7, LSM7, LSN7, LSP7, LSR7 HAVE  
1/2-14 NPT CONDUIT HOLES



120 LAMP VOLTAGE - TYPE LSA5, LSH5, LSN5, LSP5, LSR5  
240 LAMP VOLTAGE - TYPE LSA8, LSH8, LSN8, LSP8, LSR8



NOTE: OPERATE AND RELEASE POINTS WILL EXCHANGE LOCATIONS IF SHAFT IS ROTATED 180°



THIS DRAWING COVERS A PRODUCT LINE AND IS THE PROPERTY OF MICRO SWITCH. IT IS TO BE KEPT ON FILE BY THE BUYER. THIS DRAWING IS NOT TO BE COPIED OR USED WITHOUT THE APPROVAL OF MICRO SWITCH.	<p>PAGE 1 OF 10</p> <p>UNLESS OTHERWISE SPECIFIED TOLERANCES ARE:</p> <p>ONE PLACE .003 ±.003</p> <p>TWO PLACES .0008 ±.001</p> <p>THREE PLACES .0001 ±.0005</p> <p>ANGLES .5°</p> <p>WEIGHT .</p>
---	--

MICRO SWITCH a Honeywell Division SWITCH - ENCLOSED LSA-LSW SERIES CHART 1

LSA-LSW SERIES CHART 1  
 MICRO SWITCH  
 HONEYWELL DIVISION  
 1400 W. 100th Street  
 Lincoln, NE 68504  
 (402) 486-2000