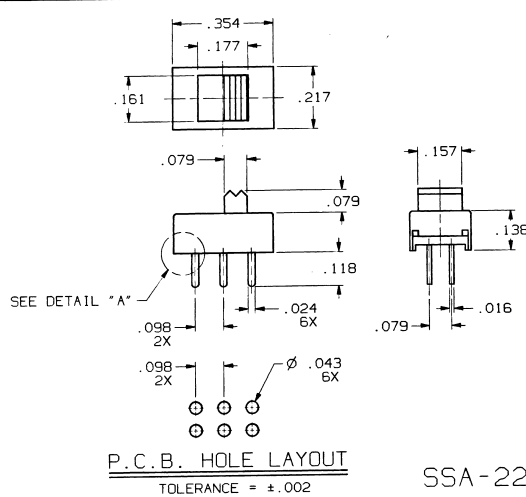
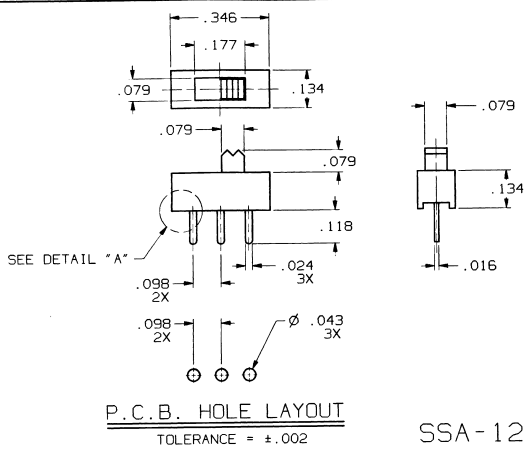
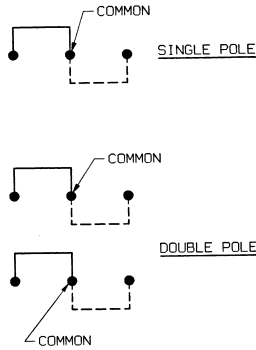


CONVERSION CHART	
INCH	MM
.002	0.05
.005	0.13
.010	0.25
.016	0.40
.024	0.69
.043	1.1
.079	2.00
.098	2.5
.118	3.0
.134	3.4
.138	3.5
.157	4.0
.161	4.1
.177	4.5
.217	5.5
.346	8.8
.354	9.0



CONTACT DIAGRAM



SPECIFICATIONS:

MATERIALS:
CASE: POLYESTER.
ACTUATOR: POLYAMIDE.
MOVABLE CONTACT: SEE BELOW.
STATIONARY CONTACT: SEE BELOW.
TERMINALS: SEE BELOW.
TERMINAL SEAL: EPOXY.

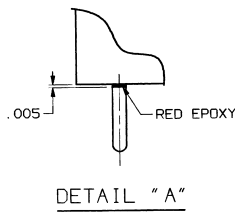
ELECTRICAL:
CONTACT RATING: SILVER = 100mA @ 30 VDC.
GOLD: = 0.4 VA MAX. @ 20 VDC OR PEAK AC.
INITIAL CONTACT RESISTANCE: 30 MEGOHMS MAX..
INSULATION RESISTANCE: 100 MEGOHMS MIN.
DIELECTRIC STRENGTH: 500 VOLTS RMS @ SEA LEVEL.
LIFE EXPECTANCY: 10,000 CYCLES.

MECHANICAL:
ACTUATION FORCE: 250g, ±100g.

ENVIRONMENTAL:
OPERATING TEMPERATURE: -4°F TO +158°F (-20°C TO +70°C).
STORAGE TEMPERATURE: -40°F TO +194°F (-40°C TO +90°C).

NOTES:

1. INTERPRET DRAWING PER ASME Y14.5M-1994.



SSA - XX X MATERIAL OPTION FOR MOVABLE CONTACT, STATIONARY CONTACT AND TERMINALS.

MODEL

BLANK = SILVER OVER NICKEL OVER COPPER ALLOY.
G = GOLD OVER NICKEL OVER COPPER ALLOY

12 = SPDT
22 = DPDT

OUTLINE DRAWING

SPECIFICATIONS ARE SUBJECT TO CHANGES WITHOUT NOTICE

A	REVISED PER ECO-11-005294	RK	HMR	13APR11
LTR	REVISION RECORD	DR	CHK	DATE

THIRD ANGLE PROJECTION

TOLERANCES (EXCEPT AS NOTED)
ANGULAR = ±1°
DECIMAL .XX = ±
DECIMAL .XXX = ±.010
DECIMAL .XXXX = ±

AUGAT CONFIDENTIAL
This document contains information which is the exclusive property of Augat Inc.
Distribution, reproduction or use by others is not permitted without the expressed written consent of Augat Inc.

UNLESS OTHERWISE SPECIFIED DIMENSIONS ARE IN INCHES DO NOT SCALE PRINT

FILE NAME: 804330UT
DIRECTORY: SLOSWTCH

MATERIAL:
SEE SPECIFICATIONS

FINISH:
SEE SPECIFICATIONS

ORIGINAL DATE OF DRAWING: 11-24-82

DRAWN: BEV EICHKORN
DATE: 11-24-82

CHECKED: B. BUCKHEIT
DATE: 12-7-82

APPROVED: A. S. GREEN
DATE: 12-10-82

CODE IDENT. NO. 91506
DWG. SIZE C

NEXT ASSY:

TE Connectivity

TITLE: **OUTLINE DRAWING**
SLIDE - LOW PROFILE
(SSA-12, SSA-22 SERIES)

DWG. NO. 1-1437575-4

REV. A

PRODUCT CODE: 1-1437575-4

SCALE: SHEET 1 OF 1