



### Feature -

1 pole 10 positions  
Small size

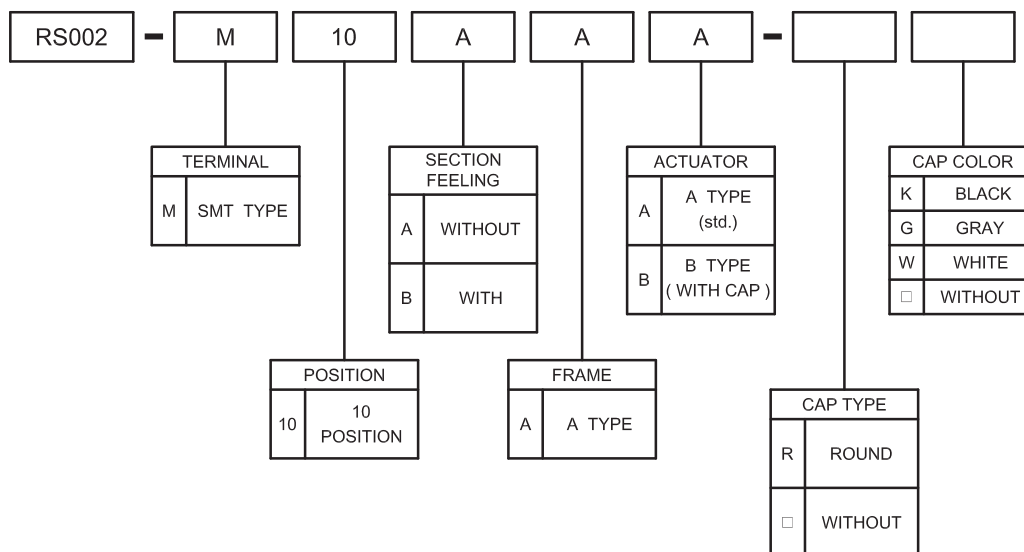
### Applications -

Digital camera

## ► SPECIFICATIONS

SWITCH SPECIFICATIONS	
POLE - POSITION	SMT TYPE , 1P10T
CONTACT RATING	5 V DC , 10 mA
CONTACT RESISTANCE	1 Ω max. 1.5 V DC ; 100 mA , by Method of Voltage DROP
INSULATION RESISTANCE	100 MΩ min . 100 V DC for 1 minute
DIELECTRIC STRENGTH	Breakdown is not Allowable ; 100 V AC for 1 Minute
OPERATING FORCE	150 gf.cm max.
OPERATING LIFE	With movement click feeling : 5,000 cycles
	Without movement click feeling : 10,000 cycles
OPERATING TEMPERATURE RANGE	-20°C ~ 70°C

## ► HOW TO ORDER

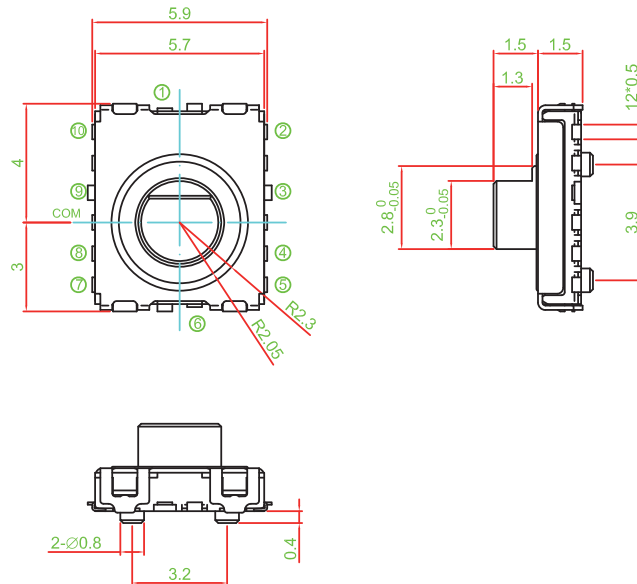


# RS002 SERIES

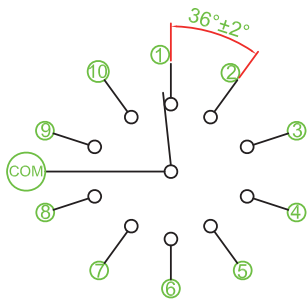
## ROTARY SWITCH

### ► DIMENSION

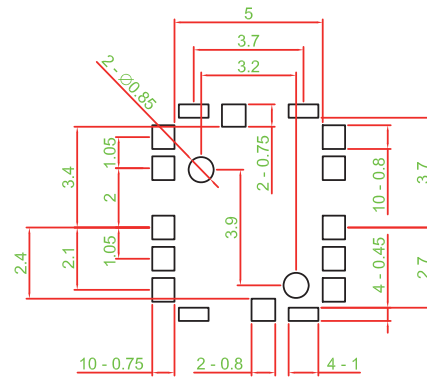
#### ► RS002-M10AAA



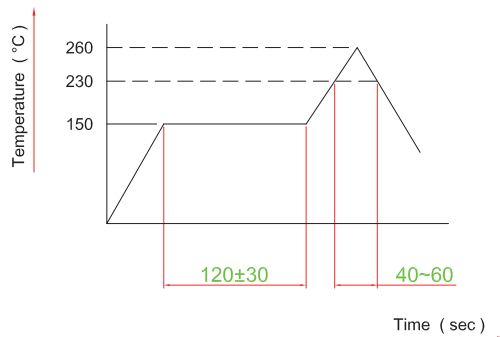
### ► CIRCUIT DIAGRAM



### ► P.C.B. LAYOUT



### ► REFLOW SOLDERING



### ► MATERIAL

- COVER - SUS
- ACTUATOR - LCP + GF
- FRAME - LCP + GF
- TERMINAL -  
PHOSPHOR BRONZE SILVER PLATING
- MOVING CONTACT -  
PHOSPHOR BRONZE GOLD FLASH

### ► UNIT WEIGHT

- RS002 - 0.13 ± 0.05 g / pcs