

Distinctive Characteristics

Positive detent mechanism for distinct feel and audible feedback.

Metal bushing and housing construction increases durability.

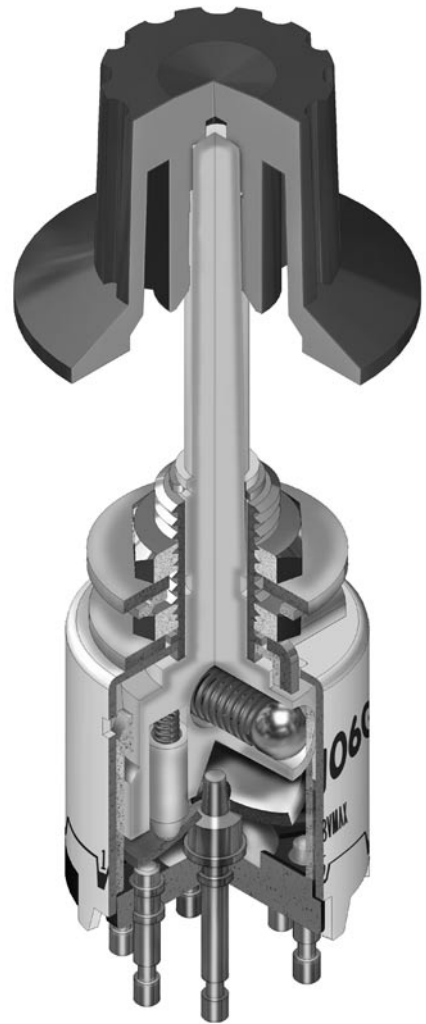
Adjustable stopper plate allows 2-8 position settings.

High contact reliability achieved by the self-cleaning contact mechanism.

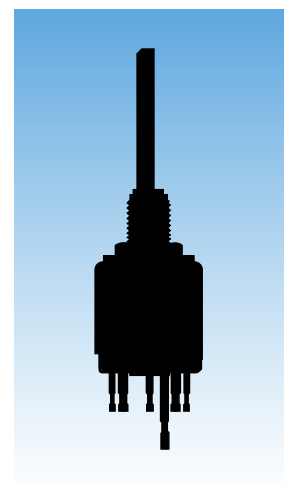
Break-before-make contact timing with various mechanism types: sliding contacts in MRX, contactor dish in MRY, and butt contacts in MRT models.

Terminal types include PC-turret for MRX, turret for MRY, and solder lug for MRT models.

Molded-in PC-turret and turret terminals prevent entry of flux and other contaminants.



Actual Size



General Specifications

Electrical Capacity (Resistive Load)

- For MRX:** 2A @ 125V AC or 1A @ 30V DC
- For MRY:** For MRY106G: 0.4VA maximum @ 28V AC/DC maximum
(Applicable Range 0.1mA ~ 0.1A @ 20mV ~ 28V)
Note: See Supplement Index to find explanation of operating range.
For all other MRY models: 3A @ 125V AC or 2A @ 30V DC
- For MRT:** For MRT22: 10A @ 125V AC or 4A @ 30V DC
For MRT23: 5A @ 125V AC or 3A @ 30V DC

Other Ratings

- Contact Resistance:** 10 milliohms maximum for MRX, MRY, & MRT; 20 milliohms maximum for MRY106G
- Insulation Resistance:** 100 megohms minimum @ 500V DC for MRX & MRY
200 megohms minimum @ 500V DC for MRT
- Dielectric Strength:** 1,000V AC minimum for 1 minute minimum
- Mechanical Life:** 15,000 operations minimum
- Electrical Life:** 7,500 operations minimum
- Range of Operating Torque:** 0.03 ~ 0.15Nm for MRX; 0.02 ~ 0.10Nm for MRY; 0.02 ~ 0.05Nm for MRT
- Contact Timing:** Nonshorting (break-before-make)
MRX: Self-cleaning, sliding contact; MRY: Rotary contactor dish; MRT: Butt contacts
- Indexing:** 45° for MRX; 60° for MRY; 120° for MRT22; 60° for MRT23

Materials & Finishes

- Shaft:** Brass with nickel plating
- Stopper Plate:** Steel with zinc plating for MRX & MRY
- Bushing/Housing:** Brass with nickel plating
- Movable Contacts:** Silver alloy for MRX & MRT; copper with silver plating for MRY106;
copper with gold plating for MRY106G
- End Contacts & Terminals:** Silver alloy & copper with silver plating for MRX & MRT; silver alloy plus brass with silver plating
for MRY106; silver alloy with gold plating for MRY106G
- Common Contacts & Terminals:** Copper with silver plating for MRX, MRY106 & MRT22; brass with gold plating for MRY106G;
brass with silver plating for MRT23
- Base:** Phenolic resin

Environmental Data

- Operating Temperature Range:** -10°C through +70°C (+14°F through +158°F)
- Humidity:** 90 ~ 95% humidity for 96 hours @ 40°C (104°F)
- Vibration:** 10 ~ 55Hz with peak-to-peak amplitude of 1.5mm traversing the frequency range & returning in
1 minute; 3 right angled directions for 2 hours
- Shock:** 50G (490m/s²) acceleration (tested in 3 right angled directions, with 3 shocks in each direction)

Installation

- Mounting Torque:** .686Nm (6.08 lb•in)
- Cap Installation Force:** 19.6 ~ 29.4N (4.41 ~ 6.61 lbf)
- Soldering Time & Temperature:** Manual Soldering: See Profile A in Supplement section.

Standards & Certifications



- UL & C-UL Recognized:** MRT22 models recognized at 10A @ 125V AC; MRT23 models recognized at 5A @ 125V AC
UL File No. WOYR2.E44145
Add "/U" to end of part number to order UL mark on switch
C-UL File No. WOYR8.E44145
Add "/C-UL" to end of part number to order C-UL mark on switch

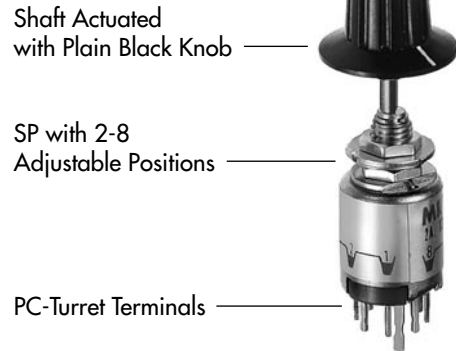
TYPICAL SWITCH ORDERING EXAMPLE

MR	X	108	A	
ACTUATORS & TERMINALS	POLES & CIRCUITS	KNOBS	COLORS	
X Shaft Actuated with PC-Turret Terminals	108 SP with 2-8 Positions 204 DP with 2-4 Positions 402 4P with 2 Positions	A Plain Black B Small Color Tipped C Large Color Tipped	For Plain Knob	
Y Shaft Actuated with Turret Terminals	106 SP with 2-6 Positions 106G SP with 2-6 Positions Gold Contacts 0.4VA		No Code Black	
T Shaft Actuated with Solder Lug Terminals	22 DPDT ON-NONE-ON 23 DPDT ON-OFF-ON		For Color Tipped	
			A Black	
			B White	
			C Red	
			E Yellow	
			F Green	
			G Blue	
			H Gray	

DESCRIPTION FOR TYPICAL ORDERING EXAMPLE MRX108-A

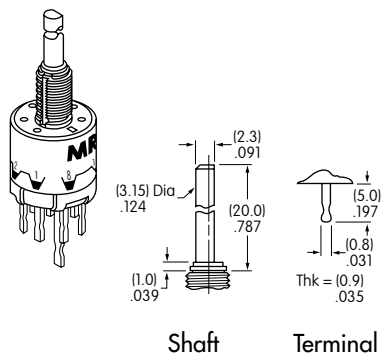
IMPORTANT:

MRT switches are supplied without UL marking unless specified. Specific models & ratings are noted on the General Specifications page.

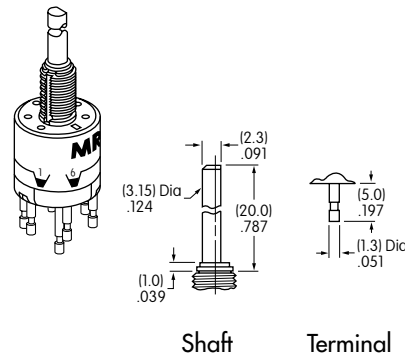


ACTUATORS & TERMINALS

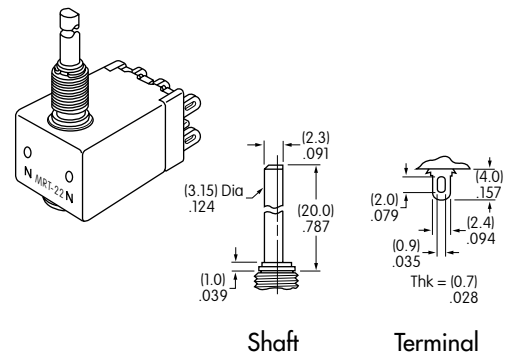
X Shaft Actuated with PC-Turret Terminals



Y Shaft Actuated with Turret Terminals



T Shaft Actuated with Solder Lug Terminals



POLES & CIRCUITS

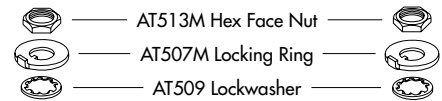
Pole	Model	Number of Positions	Stopper Settings	Number of Terminals	Schematics
SP	MRX108	2-8	2, 3, 4, 5, 6, 7, 8	1 COM, 8 LOAD	
	MRY106 MRY106G	2-6	2, 3, 4, 5, 6	1 COM, 6 LOAD	
DP	MRX204	2-4	2, 3, 4	2 COM, 8 LOAD	
DPDT	MRT22	2	ON-NONE-ON	2-3 2-1 5-6 5-4	
	MRT23	3	ON-OFF-ON	2-3 OPEN 2-1 5-6 OPEN 5-4	
4P	MRX402	2	1 & 2	4 COM, 8 LOAD	

POSITION SETTING FOR MRX & MRY MODELS

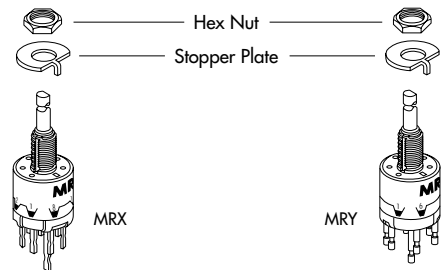
Each switch is supplied with the stopper set for the maximum number of positions allowed for that model. Prior to installation, the desired position setting should be made. Contact factory for continuous rotation.

- Using the actuator knob, turn the shaft counterclockwise to the extreme left. If the shaft is not turned to this extreme position where the white line on the knob points to the number 1 position shown on the side of the switch, proper setting cannot be achieved.
- Remove the knob from the shaft and loosen the nut far enough to allow raising the stopper plate for resetting to the desired position.
- Note the position numbers on the side of the switch; these correspond to the terminal numbers and stopper holes. Insert the stopper in the hole numbered for the maximum desired number of stop settings. Satisfactory switch functioning cannot be assured if the stopper plate is not properly positioned.
- Tighten the nub (beveled side up) firmly against the stopper plate.

Mounting Hardware Packaged Loose with Each Switch



Factory Assembled:



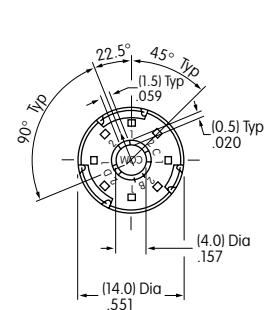
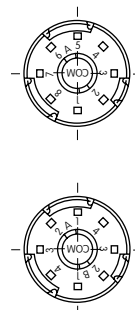
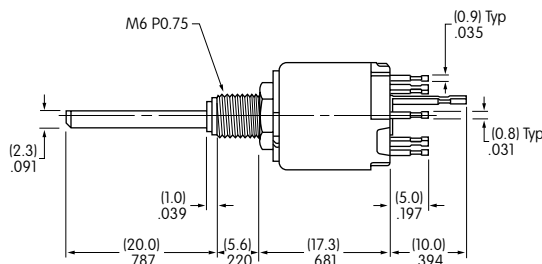
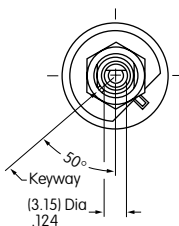
TYPICAL SWITCH DIMENSIONS

MRX • PC-Turret Terminals

Single, Double & Four Pole



MRX108



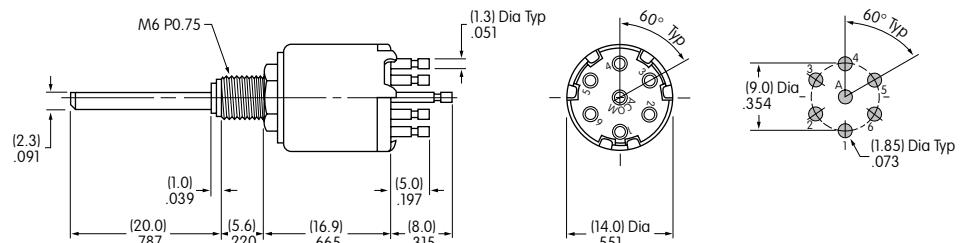
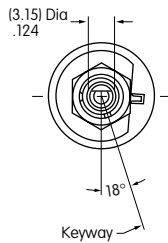
TYPICAL SWITCH DIMENSIONS

MRY • Turret Terminals

Single Pole

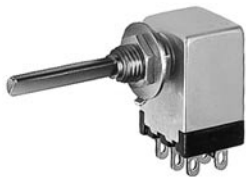


MRY106

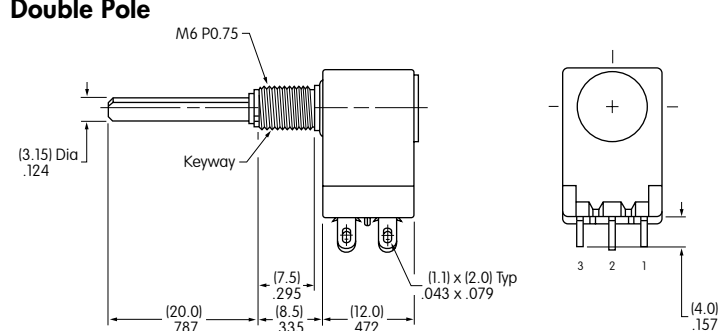
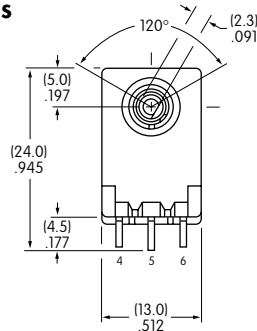


MRT • Solder Lug Terminals

Double Pole

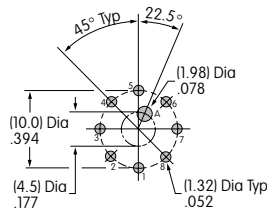


MRT22

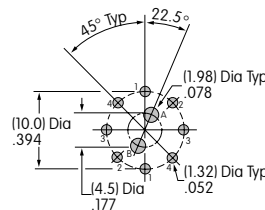


PC FOOTPRINTS FOR MRX SINGLE, DOUBLE, & FOUR POLE

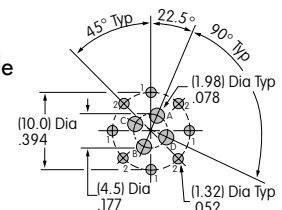
Single Pole



Double Pole



Four Pole

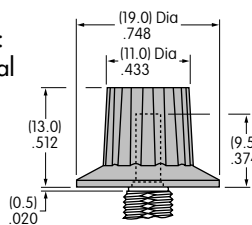


KNOBS

A AT433 Plain Black

Material: Polyacetal

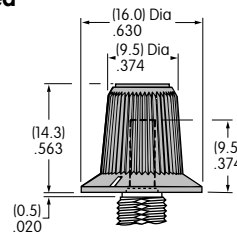
Color: Black only



B AT4103 Small Color Tipped

Base Material: Polyester
Base Color: Black
Polyamide Tip

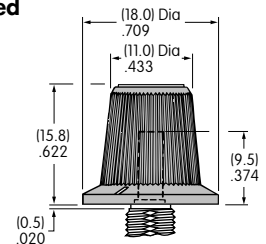
Colors: A, B, C, E, F, G, H



C AT4104 Large Color Tipped

Base Material: Polyester
Base Color: Black
Polyamide Tip

Colors: A, B, C, E, F, G, H



Color Codes:



Black



White



Red



Yellow



Green



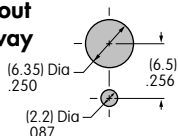
Blue



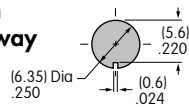
Gray

PANEL CUTOUTS & MAXIMUM EFFECTIVE PANEL THICKNESS

Without Keyway



With Keyway



Maximum Effective Panel Thickness

With Standard Hardware: MRX & MRY .095" (2.4mm); MRT .106" (2.7mm)

Without Locking Ring: MRX & MRY .126" (3.2mm); MRT .138" (3.5mm)