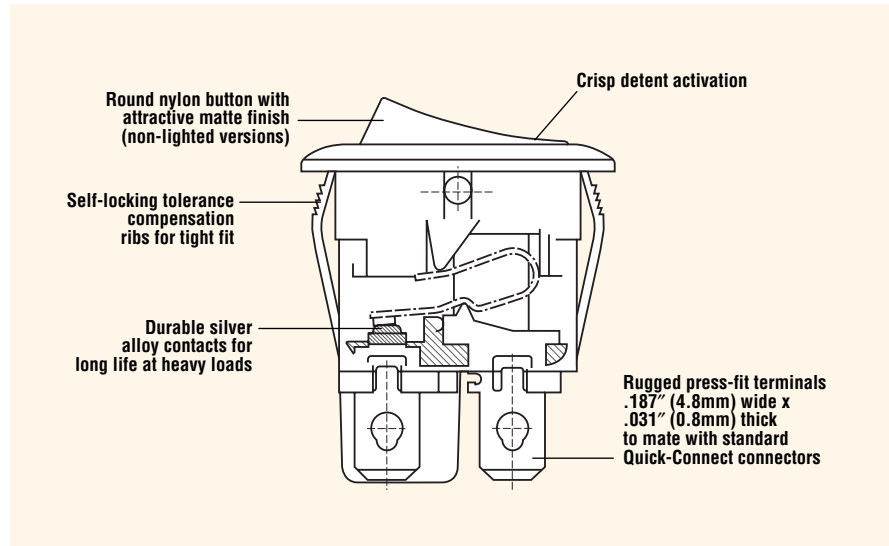


ROUND ROCKER SWITCH

RR Series

Features

- Single-pole and double-pole configurations
- Lighted and non-lighted options
- Available in a wide variety of colors
- High current switching in a compact round package
- Self-locking tabs to fit industry-standard panel cut-outs
- Mechanical life: min. 100,000 operations



Electrical Ratings

| Switch Series | EN61058 Rating | UL1054 Rating | Electrical Life at Rated Load | |
|---------------|------------------------------|---|------------------------------------|-----------------------------------|
| | | | According to VDE (Min. Operations) | According to UL (Min. Operations) |
| RR | 10(4)A, 250V~, μ T125/55 | 10A, 125VAC; 8A, 250VAC, 1/4 HP; 125/250VAC | 10,000 | 6,000 |

Specifications

Electrical

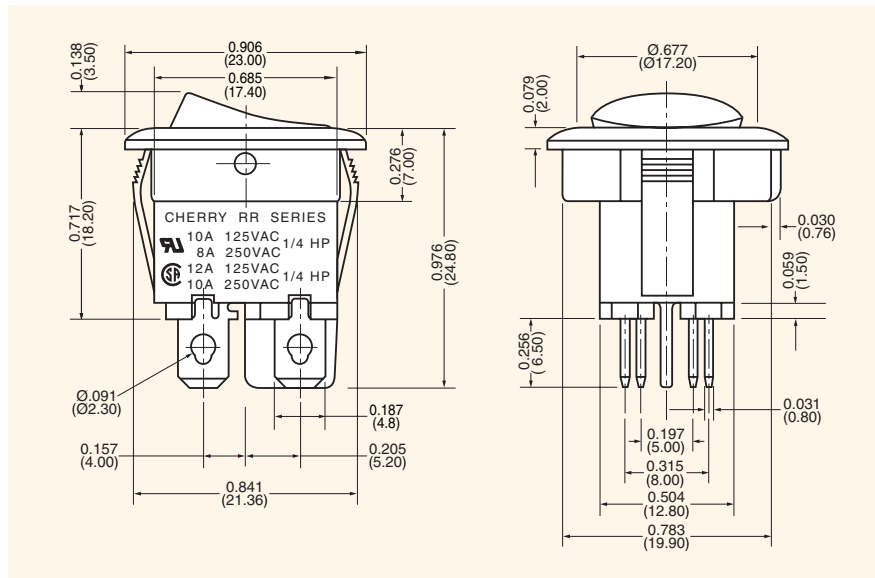
| | |
|-----------------------------|------------------------------------|
| Dielectric Strength: | 1000VAC for 1 minute |
| Insulation Resistance: | 10 ⁹ ohms min at 500VDC |
| Initial Contact Resistance: | .020 ohms max |
| Temperature Range: | -20°C to +85°C |

Materials

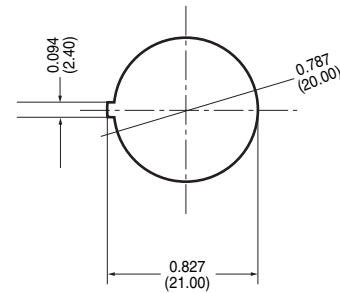
| | |
|-------------------------|-------------------------|
| Actuator (non-lighted): | Nylon 66 94V-2 |
| Actuator (lighted): | Polycarbonate |
| Base: | Nylon 66 94V-2 |
| Contacts: | Silver Alloy |
| Movable Arm: | Copper Alloy |
| Terminals: | Tin-Plated Copper Alloy |



Dimensions inches (mm)



Panel Cut-Out Dimensions for Panel Thickness inches (mm) 0.039 to 0.078 (1.0 to 2.0)



Examples of Common Part Numbers and Descriptions inches (mm)

| Part Number | Circuitry | Switch Function | Terminal Type | Actuator/Housing Color | Legend Marking |
|--------------|-----------|------------------|------------------------------|------------------------|----------------|
| RRA22H3BBBNN | | On - Off | 0.187 (4.8) Quick-Connect | Black/ Black | |
| RRA32H3FBBNN | | On - Off | 0.187 (4.8) Quick-Connect | Black/ Black | |
| RRA22H3BWWNN | | On - Off | 0.187 (4.8) Quick-Connect | White/ White | |
| RRA22H3FBRNN | | On - Off | 0.187 (4.8) Quick-Connect | Red/ Black | |
| RRA22H3BBRLN | | On - Off/Lighted | 0.187 (4.8) Quick-Connect | Red/ Black | |
| RRA32H3BBRLN | | On - Off/Lighted | 0.187 (4.8) Quick-Connect | Red/ Black | |

Ordering Information

| Code | Contact Rating |
|------|---|
| A | 10A, 125VAC; 8A, 250VAC; 1/4HP, 125/250VAC (UL) 12A, 125VAC; 10A, 250VAC; 1/4HP, 125/250VAC (CSA) 10(4)A, 250V~, μT125/55 (VDE) |

| Code | Terminal Type inches (mm) |
|------|---------------------------|
| H | 0.187 (4.8) QC |
| L | PC Thru-Hole Right Angle |
| M | PC Thru-Hole Straight |

| Code | Actuator Type |
|------|---------------|
| 3 | Round |

| Code | Actuator Marking |
|------|------------------|
| B | Blank |
| D | O I |
| E | O I |
| F | O - |
| G | . |

| Code | Housing Color |
|------|---------------|
| B | Black |
| W | White |
| Y | Grey |
| C | Brown |
| E | Charcoal Grey |

| Code | Actuator Color |
|------|----------------|
| B | Black |
| G | Green |
| A | Amber |
| R | Red |
| W | White |
| Y | Grey |
| C | Brown |
| E | Charcoal Grey |

| Code | Lighted |
|------|----------------------------|
| N | Non-Lighted |
| L | Lighted (Bulb 125VAC) |
| E | Lighted (Bulb 250VAC) |
| G | Lighted 6VDC Incandescent |
| H | Lighted 12VDC Incandescent |

| Code | Body Type |
|------|----------------------------|
| N | No Splashproof Rocker Boot |