



Feature -

- LED illumination , Two color available
- Snap in Panel Mount installation
- Single pole / Single throw , Momentary

Applications -

- Automotive Industry
- Office appliance
- Computer Products
- Communication Equipments

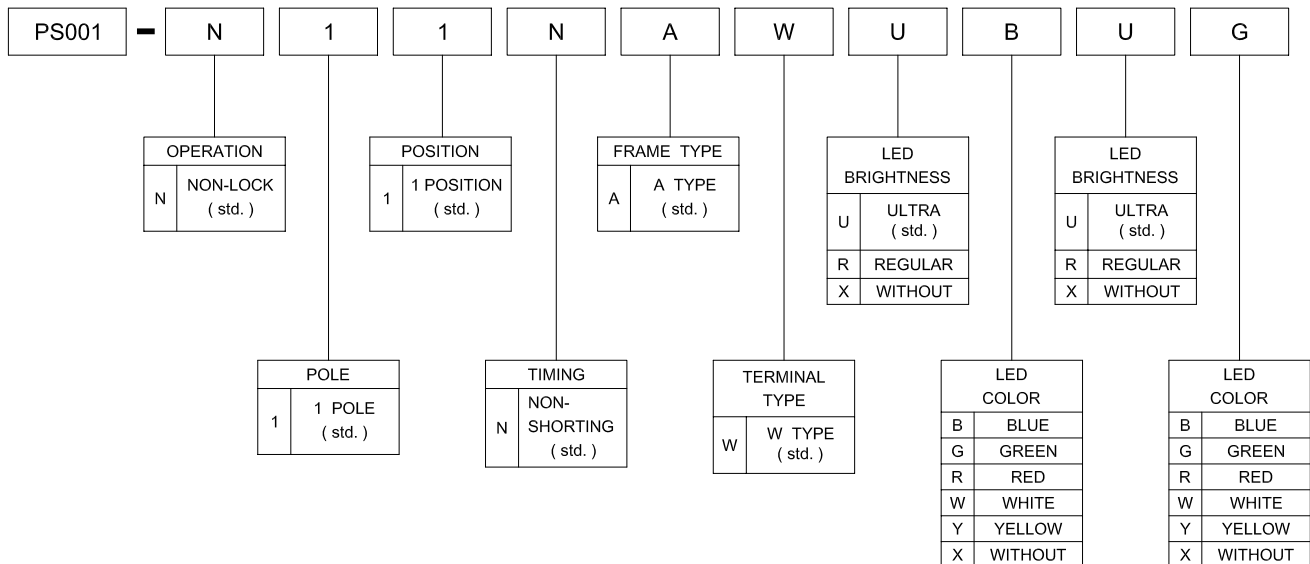
► SPECIFICATIONS

SWITCH SPECIFICATIONS	
POLE - POSITION	Momentary Type , SPST with LED
CONTACT RATING	30 V DC , 0.1 A
CONTACT RESISTANCE	50 mΩ max. 1.5 V DC ; 100 mA , by Method of Voltage DROP
INSULATION RESISTANCE	100 MΩ min. 500 V DC
DIELECTRIC STRENGTH	Breakdown is not Allowable ; 500 V AC for 1 Minute
OPERATING FORCE	250 ± 100 gf
OPERATING LIFE	50,000 cycles
OPERATING TEMPERATURE RANGE	-40°C ~ 85°C
TOTAL TRAVEL	1.8 ± 0.3 mm

LED SPECIFICATIONS							
ATTENTION LEDs are Electrostatic Sensitive devices	Unit	Value / LED Color					
		Blue	Green	Red	White	Yellow	
FORWARD CURRENT	If	mA	30	30	30	30	
REVERSE VOLTAGE	Vr	V	5.0	5.0	5.0	5.0	
REVERSE CURRENT	Ir	μA	50	10	10	10	
FORWARD VOLTAGE@20mA	Vf	V	@4mA 2.5-3.5	1.7-2.6	2.0-2.5	3.3-3.8	2.2-2.7
LUMINOUS INTENSITY@20mA	Iv	mcd	@4mA 160	65-120	100	145	200

■ Physical and electrical information of LED will be provided upon customer's request on switches .

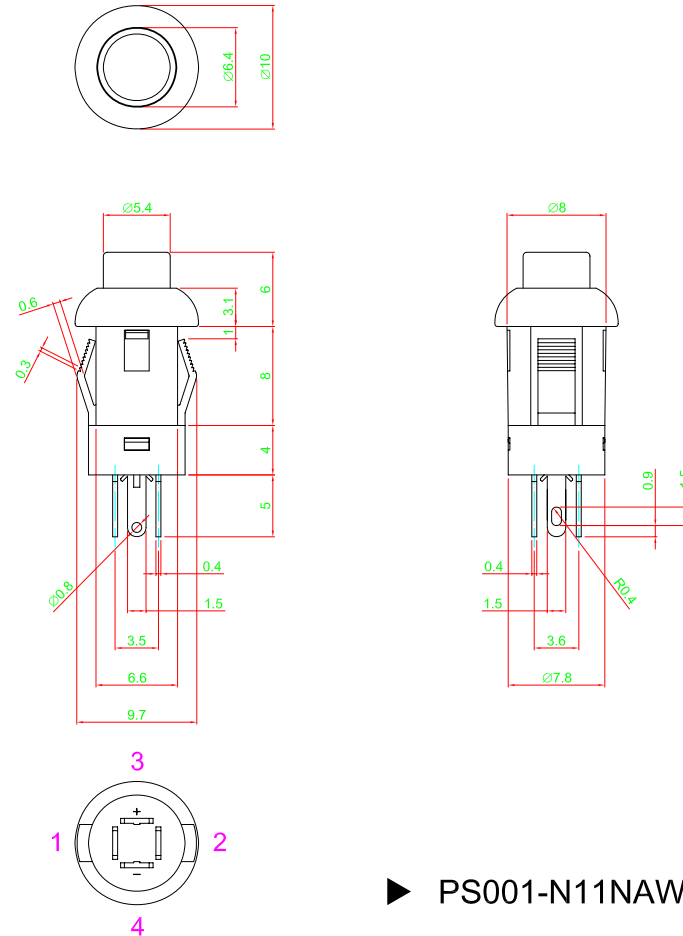
► HOW TO ORDER



# PS001 SERIES

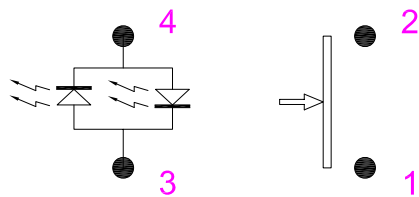
## LED PUSH BUTTON SWITCH

### ► DIMENSION



► PS001-N11NAW

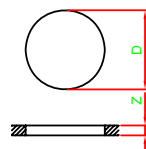
### ► LED CIRCUIT DIAGRAM



### ► MATERIAL

- COVER - PA + GF
- ACTUATOR - PC
- BASE FRAME - PA + GF
- TERMINAL - BRASS GOLD FLASH

### ► PANEL CUT OUT



Z	D
1.0 ~ 2.0	8.0 ~ 8.2
2.0 ~ 2.5	8.2 ~ 8.4
2.5 ~ 3.0	8.4 ~ 8.6

### ► UNIT WEIGHT

- PS001 - 1.2 ± 0.05 g / pcs

	0	1	2	3	4	5	6	7	8	9
A	0	1	2	3	4	5	6	7	8	9
B	A	B	C	D	E	F	G	H	I	J
C	K	L	M	N	O	P	Q	R	S	T
D	U	V	W	X	Y	Z	POWER	$\frac{ON}{OFF}$	ON	OFF
E	OK		Auto	Enter	Start	STOP	OPEN	CLOSE	Exit	Move
F	SET	Reset	Light	Alarm	Menu	Next	Back	Delete	Motor	Save
G	Up	Down	Right	Left	Test	End	Insert	Lock	Print	+/-
H	ESC	BC.	HOME	Health	D-LED 2	OC GENE	VIDEO INPUT	clr CMOS	Green Power	$\frac{Save}{OK}$
I	$\frac{B/R}{+}$	$\frac{Undo}{Cancel}$	$\frac{T/L}{-}$	F1	F2	F3	F4	F5	F6	F7
J	F8	F9	F10	F11	F12	F13	F14	IN 1	IN 2	IN 3
K	IN 4	IN 5	IN 6							
L										
M										
N										
O										
P							Config.	TIME LINE	ME1	ME2
Q	ME3	ME4	BGND 3D DVE1	BGND 3D DVE2	BUS COLOR	ME BUTTON LINK	*	INSERT	WIPE	
R		ALL		VP		COPY				
S										
T										
U										