

# PS011A SERIES

## LED PUSH BUTTON SWITCH



### Feature -

- Noiseless
- High bright LED illumination
- Long life
- Single pole and double pole

### Applications -

- Communication equipments
- Instrumentation
- Audio/Video products

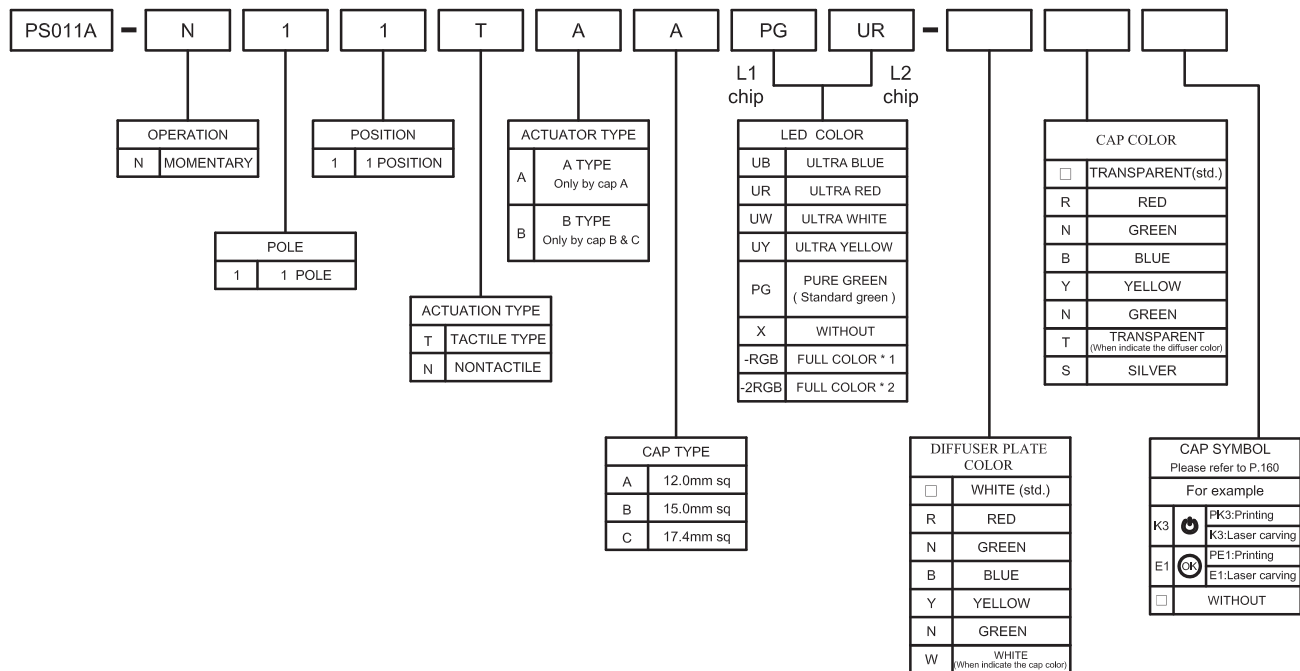
## SPECIFICATIONS

SWITCH SPECIFICATIONS	
POLE - POSITION	OFF - <ON> for Momentary Type , SPST
CONTACT RATING	100 mA 12V DC
CONTACT RESISTANCE	200 mΩ MAX.
INSULATION RESISTANCE	100 MΩ MIN. 500 V DC
DIELECTRIC STRENGTH	Breakdown is not Allowable ; 500 V AC for 1 Minute
OPERATING FORCE	250 ± 100 gf
OPERATING LIFE	1,000,000 cycles
OPERATING TEMPERATURE RANGE	-20°C ~ 70°C
TOTAL TRAVEL	4.5 ± 0.2 mm

LED SPECIFICATIONS						
ATTENTION	LEDs are Electrostatic Sensitive devices	Unit	Value / LED Color			
			Ultra Blue	Pure Green	Ultra Red	
FORWARD CURRENT	If	mA	20	20	20	
REVERSE VOLTAGE	Vr	V	5.0	5.0	5.0	
REVERSE CURRENT	Ir	μA	10	10	10	
FORWARD VOLTAGE@20mA	Vf	V	2.7-3.7	2.7-3.2	1.7-2.2	
LUMINOUS INTENSITY@20mA	Iv	mcd	25-80	90-225	57-140	

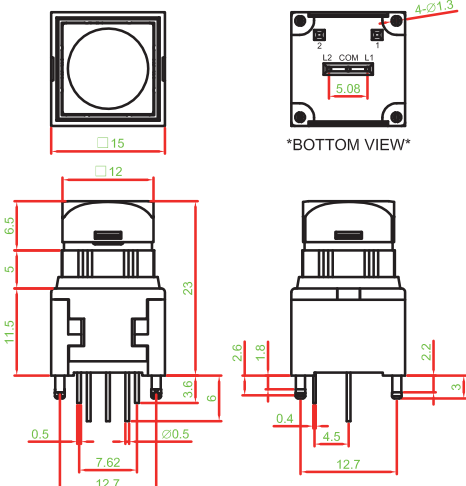
Physical and electrical information of LED will be provided upon customer's request on switches .

## HOW TO ORDER

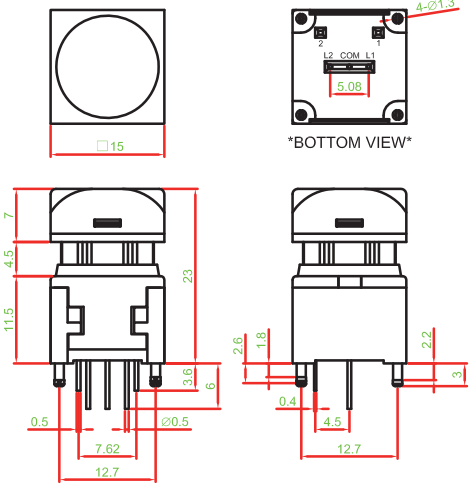


► DIMENSION & FRAME TYPE

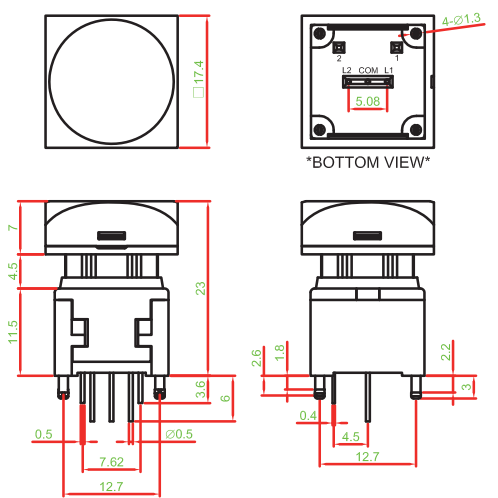
PS011A-N11TAA □ □


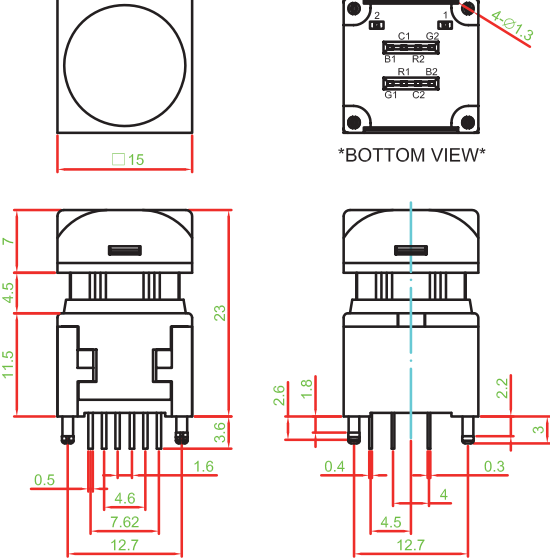
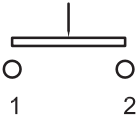
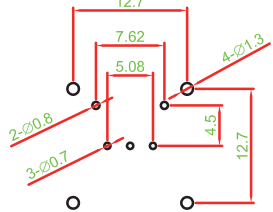
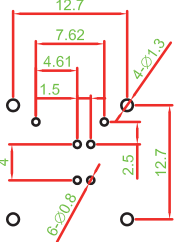
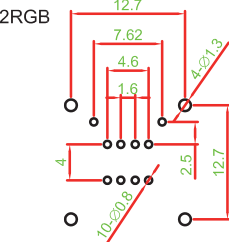
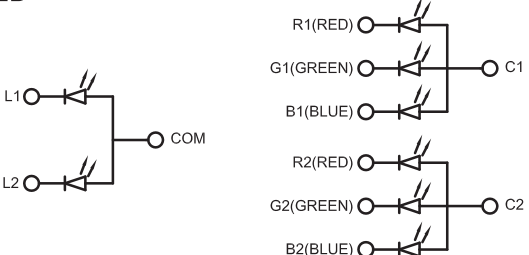


PS011A-N11TBB □ □



PS011A-N11TBC □ □



<p>► DIMENSION &amp; FRAME TYPE</p>		
<p>PS011A-N11TBB-2RGB</p> 	 <p>*BOTTOM VIEW*</p>	
<p>► SCHEMATIC</p>	<p>► P.C.B LAYOUT</p>	
<p>SWITCH</p> 	<p>Single color or two color</p>  <p>RGB</p>  <p>2RGB</p> 	
<p>LED</p> 	<th data-bbox="808 1585 1412 1675"> <p>► UNIT WEIGHT</p> </th>	<p>► UNIT WEIGHT</p>
<th data-bbox="203 1585 808 1675"> <p>► MATERIAL</p> </th> <td data-bbox="808 1675 1412 1911"> <ul style="list-style-type: none"> <li>■ COVER : PC</li> <li>■ ACTUATOR : POM</li> <li>■ BASE FRAME : PA + GF</li> <li>■ TERMINAL : BRASS SILVER PLATING</li> <li>■ MOVING CONTACT : PHOSPHOR BRONZE GOLD PLATING</li> </ul> <ul style="list-style-type: none"> <li>■ PS011A-N11TAA□□ : 3.3 ± 0.05 g / pc</li> <li>■ PS011A-N11TBB□□ : 3.6 ± 0.05 g / pc</li> <li>■ PS011A-N11TBC□□ : 4.5 ± 0.05 g / pc</li> </ul> </td>	<p>► MATERIAL</p>	<ul style="list-style-type: none"> <li>■ COVER : PC</li> <li>■ ACTUATOR : POM</li> <li>■ BASE FRAME : PA + GF</li> <li>■ TERMINAL : BRASS SILVER PLATING</li> <li>■ MOVING CONTACT : PHOSPHOR BRONZE GOLD PLATING</li> </ul> <ul style="list-style-type: none"> <li>■ PS011A-N11TAA□□ : 3.3 ± 0.05 g / pc</li> <li>■ PS011A-N11TBB□□ : 3.6 ± 0.05 g / pc</li> <li>■ PS011A-N11TBC□□ : 4.5 ± 0.05 g / pc</li> </ul>

	0	1	2	3	4	5	6	7	8	9
A	0	1	2	3	4	5	6	7	8	9
B	A	B	C	D	E	F	G	H	I	J
C	K	L	M	N	O	P	Q	R	S	T
D	U	V	W	X	Y	Z	POWER	<b>ON</b> <b>OFF</b>	ON	OFF
E	OK		Auto	Enter	Start	STOP	OPEN	CLOSE	Exit	Move
F	SET	Reset	Light	Alarm	Menu	Next	Back	Delete	Motor	Save
G	Up	Down	Right	Left	Test	End	Insert	Lock	Print	+/-
H	ESC	BC.	HOME	Health	D-LED 2	OC GENE	VIDEO INPUT	clr CMOS	Green Power	<b>Save</b> <b>OK</b>
I	<b>B/R</b> +	<b>Undo</b> Cancel	<b>T/L</b> -	F1	F2	F3	F4	F5	F6	F7
J	F8	F9	F10	F11	F12	F13	F14	IN 1	IN 2	IN 3
K	IN 4	IN 5	IN 6							
L										
M										
N										
O										
P							Config.	TIME LINE	ME1	ME2
Q	ME3	ME4	BGND 3D DVE1	BGND 3D DVE2	BUS COLOR	ME BUTTON LINK	*	INSERT 	WIPE	
R		ALL		VP		COPY		RECORD MODE		
S			MUTE		<b>Multi</b> <b>BIOS</b>					
T		hold	group	m1	m2	m3	m4	m5	t1	t2
U	s1	s2	chair	undo	redo	touch	store	recall	e1	e2
V	e3	e4	OC							
W										