

PS004 SERIES

LED PUSH BUTTON SWITCH



Feature -


- Small size
- Led illuminated
- Two color available
- Lock/none lock type
- Various cap options

Applications -

- Consumer products
- Instrumentation
- Communication products
- Computer products

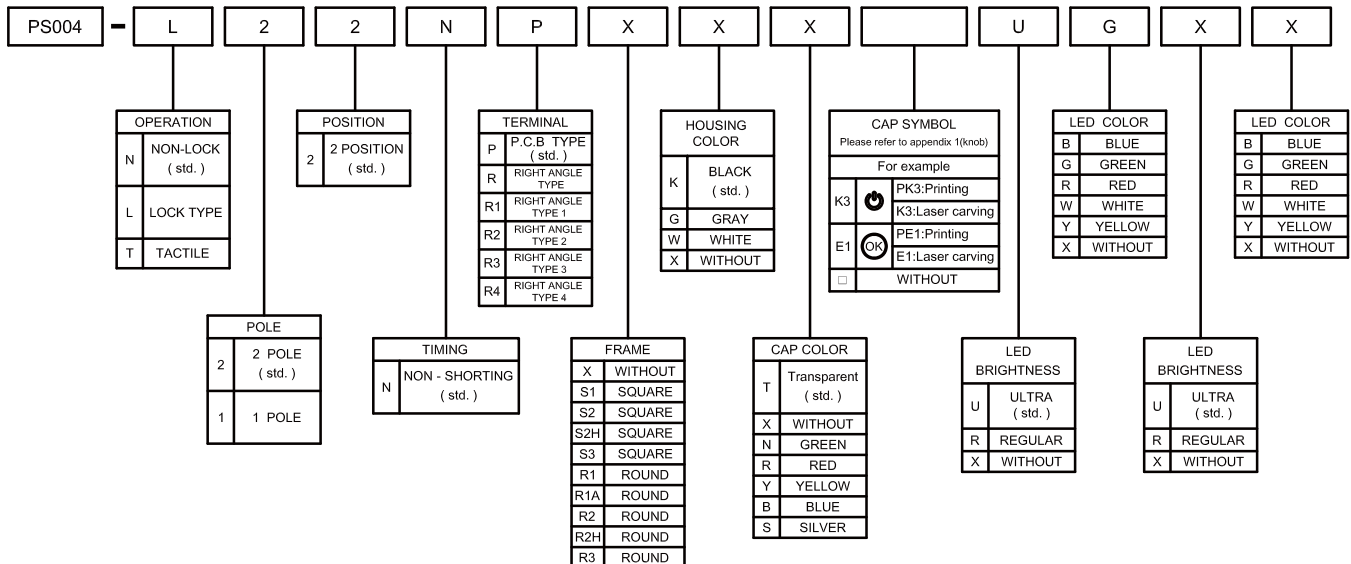
► SPECIFICATIONS

SWITCH SPECIFICATIONS	
POLE - POSITION	1P2T , 2P2T LOCK / NON-LOCK Action with LED
CONTACT RATING	30 VDC , 0.1A / 5 VDC , 0.1mA
CONTACT RESISTANCE	50 mΩ MAX. 1.5 V DC ; 100 mA , by Method of Voltage DROP
INSULATION RESISTANCE	100 MΩ MIN. 500 V DC
DIELECTRIC STRENGTH	Breakdown is not Allowable ; 500 V AC for 1 Minute
OPERATING FORCE	250 ± 100 gf
OPERATING LIFE	50,000 cycles
OPERATING TEMPERATURE RANGE	-20°C ~ 70°C
TOTAL TRAVEL	TRAVEL - 1.0 ± 0.3 mm FULL TRAVEL - 1.5 ± 0.3 mm

LED SPECIFICATIONS							
ATTENTION  LEDs are Electrostatic Sensitive devices	Unit	Value / LED Color					
		Blue	Green	Red	White	Yellow	
FORWARD CURRENT	If	mA	10	20	20	2	20
REVERSE VOLTAGE	Vr	V	5.0	5.0	5.0	5.0	5.0
REVERSE CURRENT	Ir	μA	10	10	10	10	10
FORWARD VOLTAGE	Vf	V	@ 10mA 3.0-4.0	2.1-2.5	2.0-2.5	@ 2mA 2.8-4.0	2.0-2.5
LUMINOUS INTENSITY	Iv	mcd	@ 10mA 200	800	1800	@ 2mA 12	1800

■ Physical and electrical information of LED will be provided upon customer's request on switches .

► HOW TO ORDER

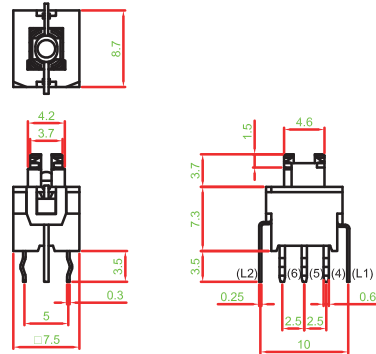


PS004 SERIES

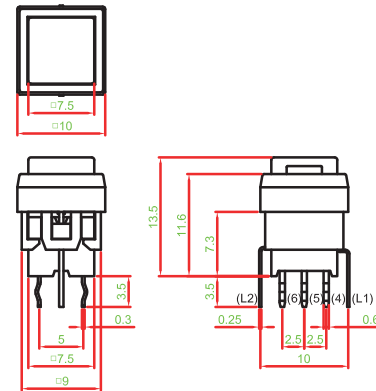
LED PUSH BUTTON SWITCH

► DIMENSION

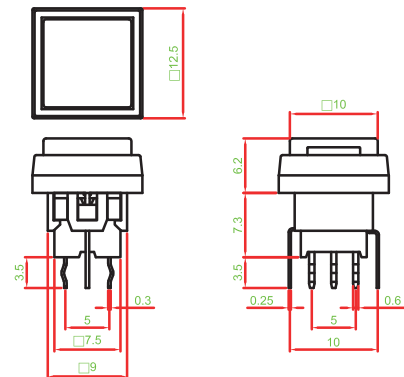
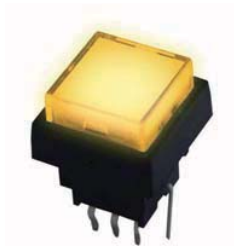
PS004-L22NPXXX□□□□



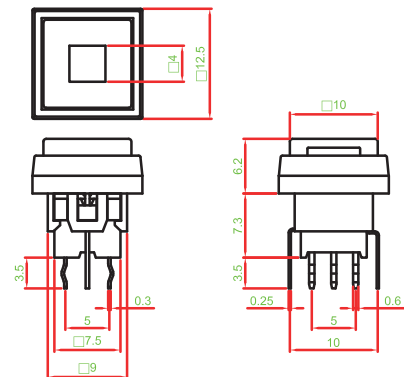
PS004-L22NPS1KT□□□□



PS004-N22NPS2KT□□□□



PS004-N22NPS2HKK□□□□

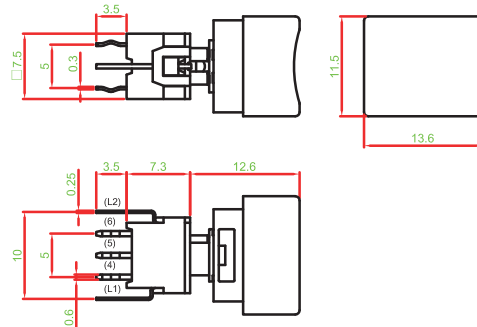


PS004 SERIES

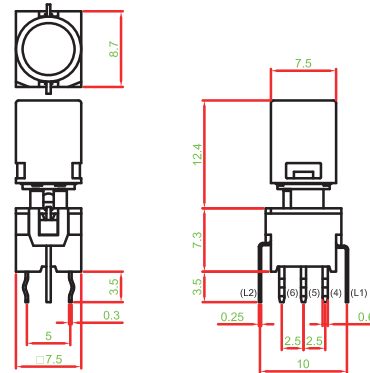
LED PUSH BUTTON SWITCH

► DIMENSION

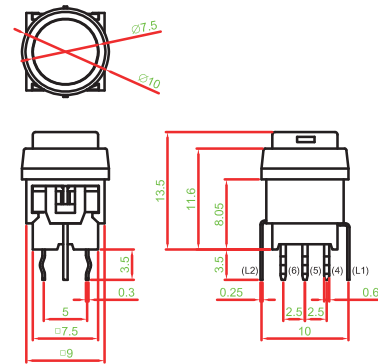
PS004-L22NPS3XT□□□□



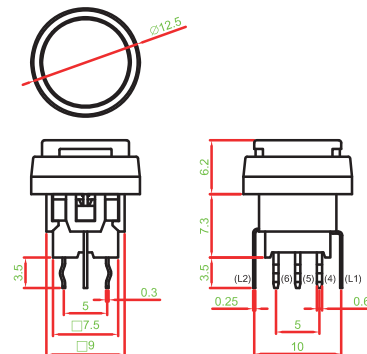
PS004-L22NPR1AXT□□□□



PS004-L22NPR1KT□□□□



PS004-N22NPR2KT□□□□

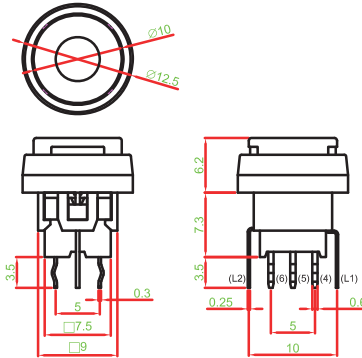


PS004 SERIES

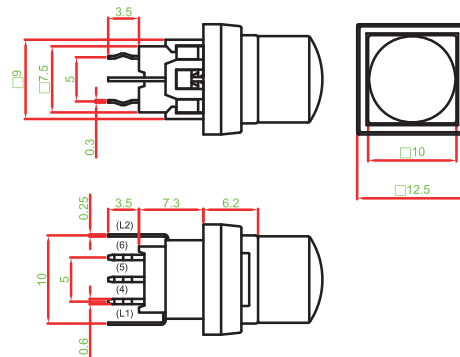
LED PUSH BUTTON SWITCH

► DIMENSION

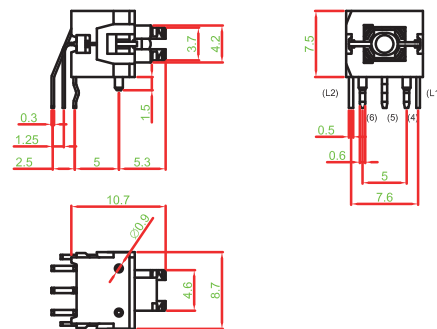
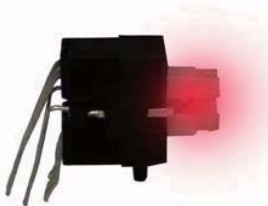
PS004-N22NPR2HKK□□□□



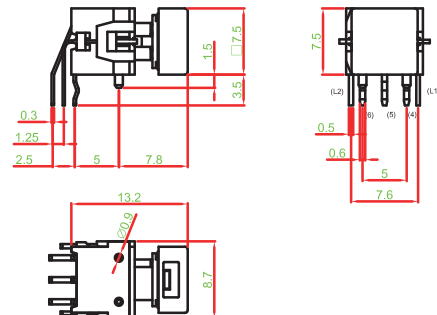
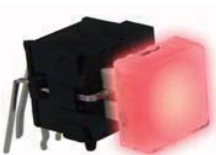
PS004-N22NPR3KT□□□□



PS004-N22NRXXX□□□□



PS004-N22NRS1XT□□□□

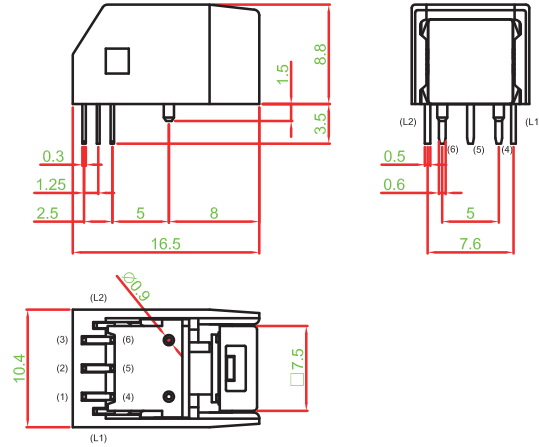


PS004 SERIES

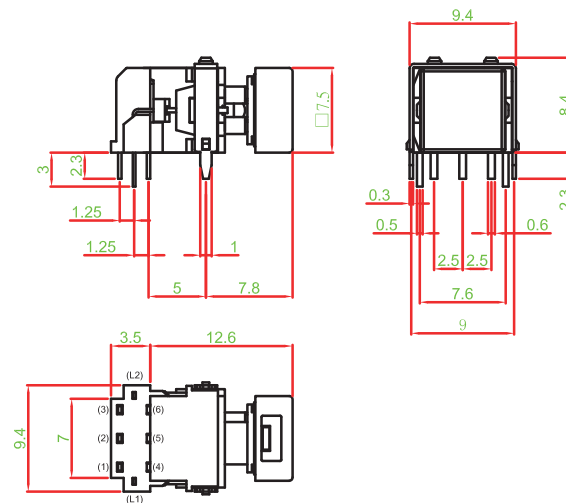
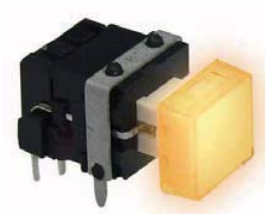
LED PUSH BUTTON SWITCH

► DIMENSION

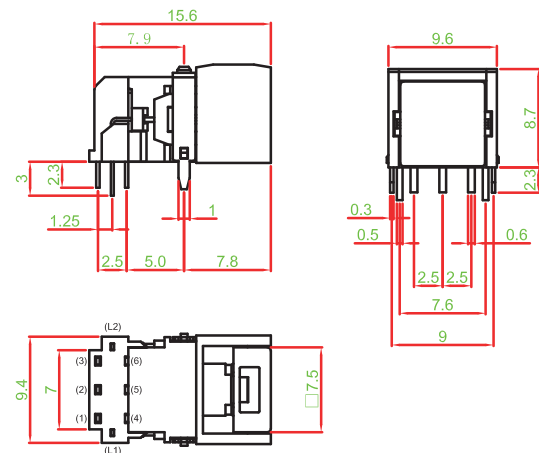
PS004-N22NRS1KT□□□□



PS004-N22NR1S1XT□□□□


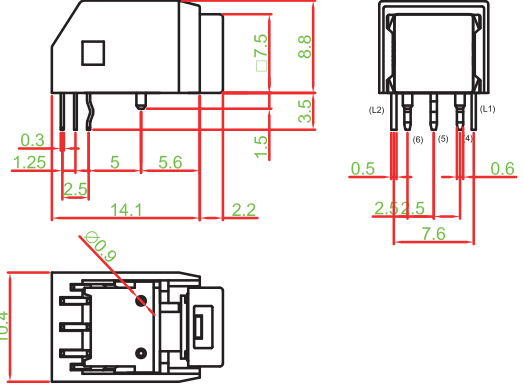

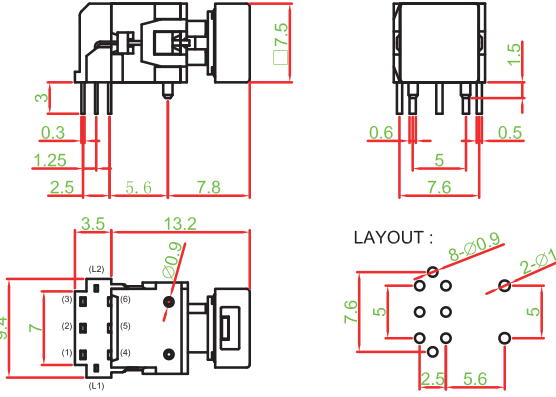
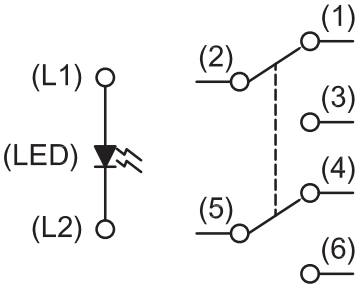
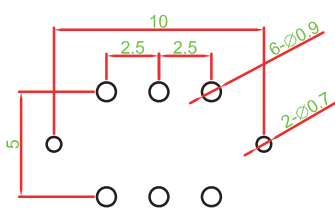
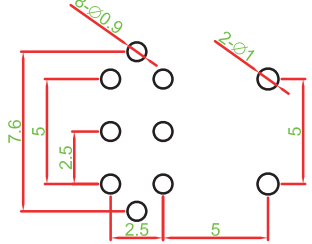


PS004-N22NR2S1KT□□□□



PS004 SERIES

LED PUSH BUTTON SWITCH

▶ DIMENSION			
<p>PS004-N22NR3S1KT□□□□</p> <div style="text-align: center; margin-top: 20px;">  </div>			
<p>PS004-N22NR4S1XT□□□□</p> <div style="text-align: center; margin-top: 20px;">  </div>			
▶ CIRCUIT DIAGRAM			
	▶ P.C.B. LAYOUT		
	<p style="text-align: center;">STANDARD TYPE</p> 	<p style="text-align: center;">RIGHT ANGLE TYPE</p> 	
▶ MATERIAL		▶ UNIT WEIGHT	
<ul style="list-style-type: none"> ■ FRAME : PA + GF ■ ACTUATOR : PA + GF ■ BASE : PA + GF ■ TERMINAL : BRASS ; SILVER PLATING ■ SPRING : STAINLESS STEEL 		<ul style="list-style-type: none"> ■ PS004-L22NPXXX□□□□ : 0.65 ± 0.05 g / pc ■ PS004-L22NPS1□□□□□□ : 1.15 ± 0.05 g / pc ■ PS004-L22NPR1□□□□□□ : 1.15 ± 0.05 g / pc ■ PS004-L22NRXXX□□□□ : 0.65 ± 0.05 g / pc 	

	0	1	2	3	4	5	6	7	8	9
A	0	1	2	3	4	5	6	7	8	9
B	A	B	C	D	E	F	G	H	I	J
C	K	L	M	N	O	P	Q	R	S	T
D	U	V	W	X	Y	Z	POWER	ON OFF	ON	OFF
E	OK		Auto	Enter	Start	STOP	OPEN	CLOSE	Exit	Move
F	SET	Reset	Light	Alarm	Menu	Next	Back	Delete	Motor	Save
G	Up	Down	Right	Left	Test	End	Insert	Lock	Print	+/-
H	ESC	BC.	HOME	Health	D-LED 2	OC GENE	VIDEO INPUT	clr CMOS	Green Power	Save OK
I	B/R +	Undo Cancel	T/L -	F1	F2	F3	F4	F5	F6	F7
J	F8	F9	F10	F11	F12	F13	F14	IN 1	IN 2	IN 3
K	IN 4	IN 5	IN 6							
L										
M										
N										
O										
P							Config.	TIME LINE	ME1	ME2
Q	ME3	ME4	BGND 3D DVE1	BGND 3D DVE2	BUS COLOR	ME BUTTON LINK	*	INSERT 	WIPE	
R		ALL		VP		COPY		RECORD MODE		
S			MUTE		Multi BIOS					
T		hold	group	m1	m2	m3	m4	m5	t1	t2
U	s1	s2	chair	undo	redo	touch	store	recall	e1	e2
V	e3	e4	OC							
W										