

RP SERIES

PUSH BUTTON SWITCH



Feature -

With screw mount installation ,
Wire and P.C.B terminal

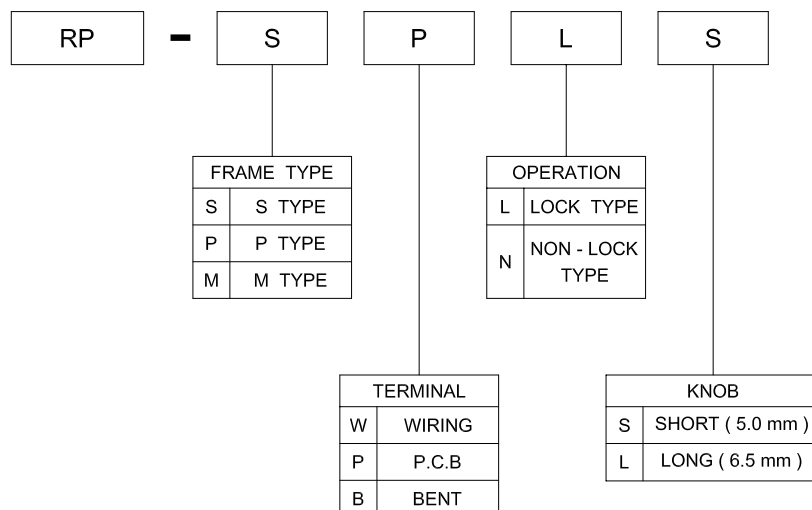
Applications -

Consumer products ,
Instrumentation ,
Computer products ,
Communication equipment

► SPECIFICATIONS

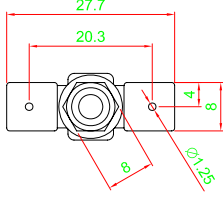
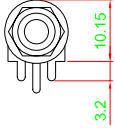
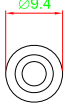
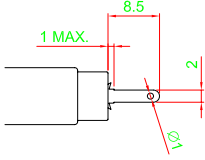
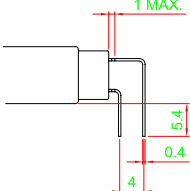
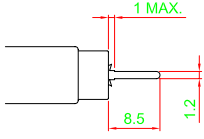
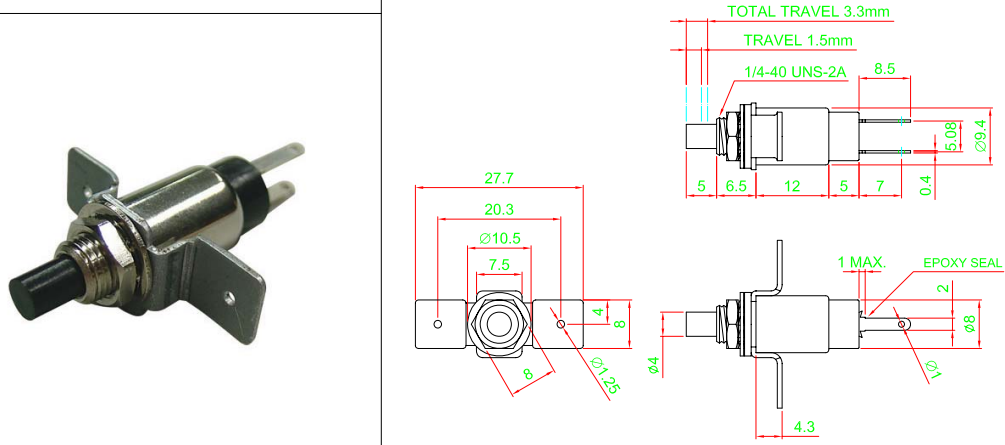
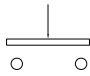
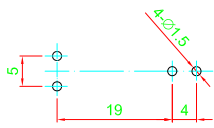
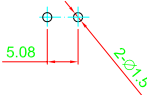
SWITCH SPECIFICATIONS	
POLE - POSITION	SPST , Momentary and Lock Type are Available
CONTACT RATING	120 V AC or 28 V DC , 1 A
CONTACT RESISTANCE	30 mΩ max. 1.5 V DC ; 100 mA , by Method of Voltage DROP
INSULATION RESISTANCE	100 MΩ min. 500 V DC
DIELECTRIC STRENGTH	Breakdown is not Allowable ; 500 V AC for 1 Minute
OPERATING FORCE	650 ± 150 gf
OPERATING LIFE	10,000 cycles
OPERATING TEMPERATURE RANGE	-20°C ~ 70°C
TOTAL TRAVEL	3.3 ± 0.3 mm

► HOW TO ORDER




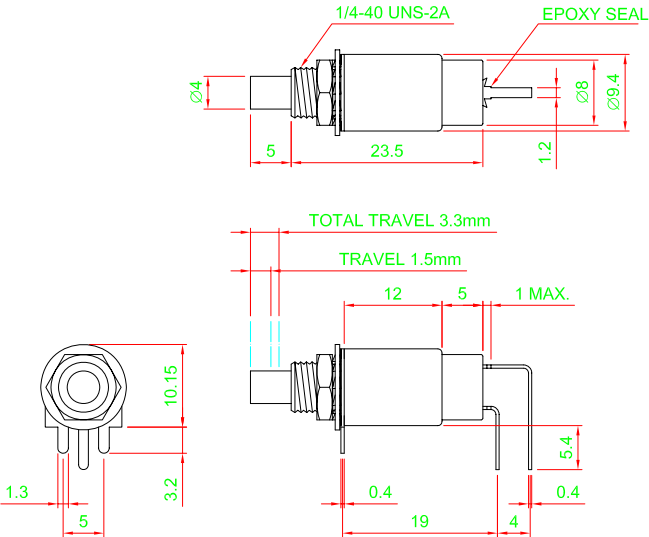

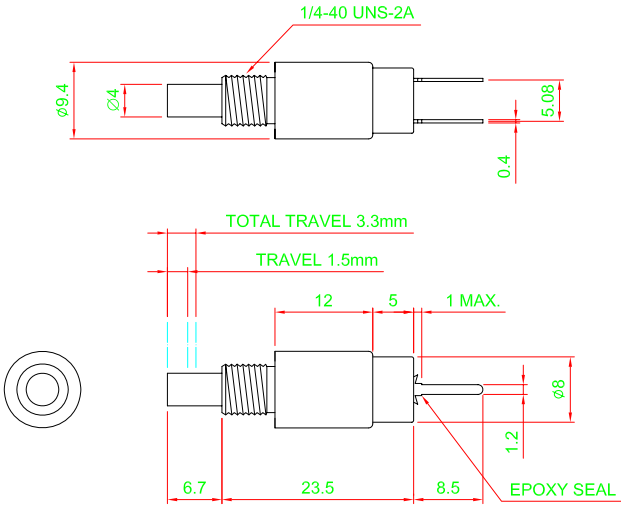
RP SERIES

PUSH BUTTON SWITCH

▶ FRAME TYPE & TERMINAL TYPE		
M TYPE	P TYPE	S TYPE
		
W TYPE	B TYPE	P TYPE
		
▶ DIMENSION		
RP - MWNS		
▶ CIRCUIT	▶ P.C.B LAYOUT	
	RP - □B□□	RP - □P□□
		

RP SERIES

PUSH BUTTON SWITCH

► DIMENSION	
<p>RP - PBNS</p> 	
<p>RP - SPLL</p> 	
► MATERIAL	► UNIT WEIGHT
<ul style="list-style-type: none"> ■ FRAME - BRASS NICKEL PLATED ■ ACTUATOR - POM ■ BASE FRAME - PA66 ■ TERMINAL - BRONZE SILVER PLATING 	<ul style="list-style-type: none"> ■ RP - MWNS : 5.0 ± 0.1 g / pcs ■ RP - PBNS : 4.0 ± 0.1 g / pcs ■ RP - SPLL : 3.0 ± 0.1 g / pcs