

## 110/316-P-Series



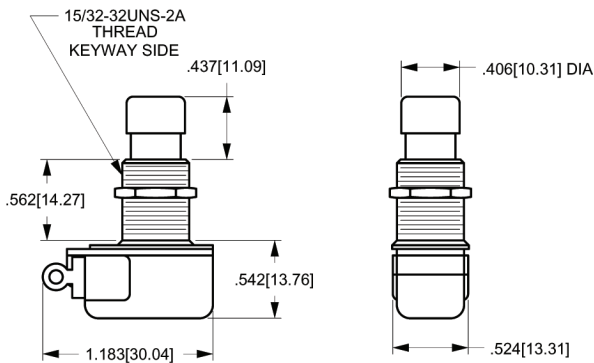
The 110/316-P-Series pushbutton switches are heavy duty, AC/DC rated and suitable as foot-switches. These switches are available with alternate or momentary action. This series is equipped with a quick-make, quick-break contact mechanism which is both non-teasable and self-cleaning. Typical actuation force ranges from 6-8 lbs.

### Specifications

- Certifications\*: UL, CSA
- Dielectric Strength: 1,000V (minimum)
- Insulation Resistance: 100 Megohms (minimum)
- Base Material: Phenolic
- Actuator Material: Brass/Nickel Plate
- Bushing Material: Brass/Nickel Plate

\* Due to ongoing technological advances, consult factory for certification specifics.

### Dimensional Specifications: in. [mm]



NOTE:  
KEYWAY  
.072[1.82] X .038[.965] DP

 .093[2.36] DIA .293[7.44]	 .075[1.90] DIA .250[6.35] .351[8.92]	 .070[1.77] DIA .174[4.42] .120[3.05]
SOLDER LUG	.250 TAB (Q.C.) (SPST only)	SOLDER LUG (bottom)
<b>TERMINAL TYPE</b>		
 .270[6.85] .080[2.03] DIA	 #6-32NC-2 THREAD .270[6.86] .415[10.54]	 6.000[152.4] .500[12.70]
END TERMINAL	SCREW (ASSEMBLED) (SPST ONLY)	INTEGRATED WIRE LEAD (no exposed conductors)
 .500[12.70] DIA		 .062[1.57] .500[12.70] DIA .038[9.65]
MOUNTING HOLE		WITH KEYWAY

# 110

-

# P

MAINTAINED	(ON) MOMENTARY NORMALLY OPEN	(OFF) MOMENTARY NORMALLY CLOSED	TERMINAL	CIRCUIT & POLES	RATING
<b>110-P</b> <b>110-BP</b> <b>110-SP</b> <b>111-16-P</b>	<b>110-PM-OFF</b> <b>110-PBM-OFF</b> <b>110-SPM-OFF</b> <b>111-PM-OFF</b>	<b>110-PM-ON</b> <b>110-PBM-ON</b> <b>110-SPM-ON</b> <b>111-PM-ON</b>	SOLDER LUG-END SOLDER LUG-BTM SCREW TERM. WIRE LEAD	SP-ST	3A 250V 6A 125V
<b>160H-P</b> <b>160H-BP</b> <b>160H-SP</b> <b>160H-AP</b>	NONE	NONE	SOLDER LUG SOLDER LUG-BTM SCREW TERM. WIRE LEAD	SP-ST	5A 250V 10A 125V 1/4HP 125V
<b>216-PP</b> <b>216-PPA</b>	<b>216-PM-OFF</b> <b>216-PAM-OFF</b>	<b>216-PM-ON</b> <b>216-PAM-ON</b>	SOLDER LUG WIRE LEAD	DP-ST	1A 250V 3A 125V
<b>112-P</b> <b>112-PA</b>	ON-(ON) <b>112-PM</b> <b>112-PAM</b>		SOLDER LUG WIRE LEAD	SP-DT	
<b>316-PP</b> <b>316-PPA</b>	ON-(ON) <b>316-PM</b> <b>316-PAM</b>		SOLDER LUG WIRE LEAD	DP-DT DP-DT	
<b>516-PP</b> <b>516-PPA</b>	<b>516-PM</b> <b>516-PAM</b>		SOLDER LUG WIRE LEAD	2 CIRCUIT 1 ON - 1 OFF	

NOTES:  
Shading indicates standard configurations.  
Tab terminals available on all above SPST switches. Add suffix /TABS to end of part number. (ex.) 110-PM-OFF/TABS