



GLDA01A1A



Actual product appearance may vary.

Global Limit Switches Series GLS: Side Rotary With Roller - Standard, 1NC 1NO SPDT Snap Action, 0.5 in - 14NPT conduit

Features

- Designed to IEC standard for world-wide applications
- UL, CSA, and CE
- International conduit sizes
- Direct PLC interface compatible (two circuit)
- Modular construction reduces maintenance parts costs
- Designed for ease of installation
- Variety of basic switch versions
- Wide choice of actuators

Potential Applications

- Machine tools: metal fabrication equipment, presses, transfer lines and special machinery
- Material handling equipment: conveyors, elevators, cranes, and hoists
- Packaging machinery and process equipment
- Textile machinery
- Construction machinery and equipment, vehicles and lift trucks

Description

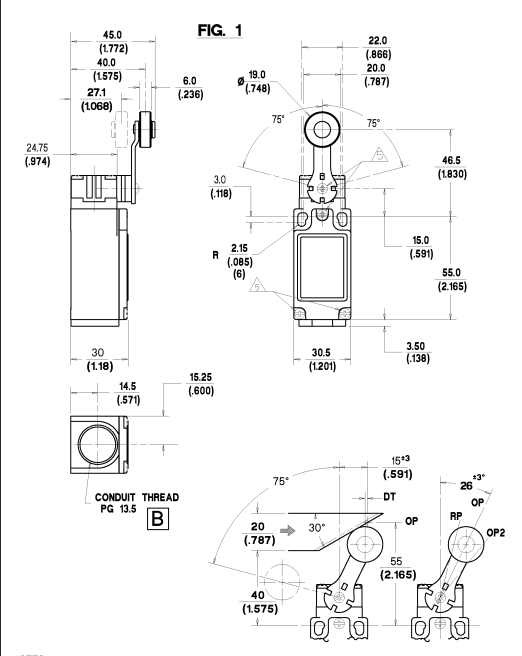
The GLS series limit switches are specifically designed for world-wide applications and are supported by Honeywell global resources for sale and after sale service.

Product Specifications	
Availability	Global
Operating Force (O.F.)	0,120 N m [1.10 in lb]
Pretravel (P.T.)	26°
Overtravel (O.T.)	49°
Differential Travel (D.T.)	11.5°
Product Type	EN50041/47 Global Limit Switch
Actuator	Side Rotary
Lever Style	Roller - Standard
Circuitry	1NC 1NO SPDT Snap Action
Ampere Rating	10 A (Thermal)
Supply Voltage	600 Vac and 250 Vdc max.

Housing Material	Plastic
Termination Type	0.5 in - 14NPT conduit
Housing Type	EN 50047
Series Name	GLS MIN-DIN
Shock	50 g per IEC 68-2-27c (w/o Actuator)
Vibration	10 g per IEC 68-2-6 (w/o Actuator)
Sealing	NEMA 1, 12, 13 IP66
Approvals	UL, CSA, CE
CSA File #	LR94369-3
UL File #	E37138 & E157416
Mechanical Life	10 million
Operating Temperature Range	-40 °C to 85 °C [-40 °F to 185 °F]
Comment	Roller Material: Plastic
Agency Approvals and Standards	IEC 947-5-1, EN60947-5-1, UL508, UL746-C
UNSPSC Code	302119
UNSPSC Commodity	302119 Switches and controls and relays
Sealed	Industrial
Operating Position (O.P.)	26°

MTG-GL-172
 REVISIONS
 01 17-96
 02 18-96
 03 12-96
 04 09-93
 05 07-97
 06 02-00/093
 07 08-97
 08 08-00/06
 09 02-99/5
 10 01-99/9

Honeywell	LIMIT SWITCH	CATALOGUE LISTING
		GLS
		FORM NO.
		MTG-GL-172



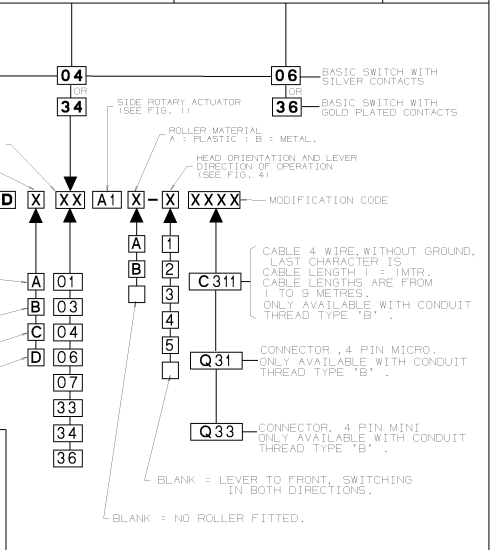
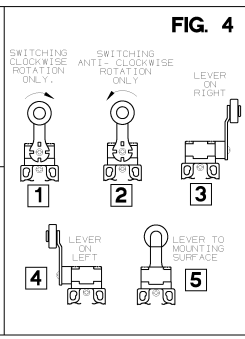
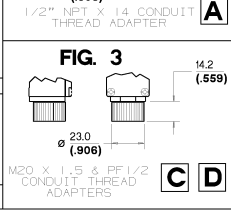
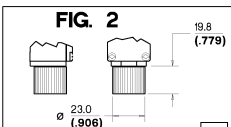
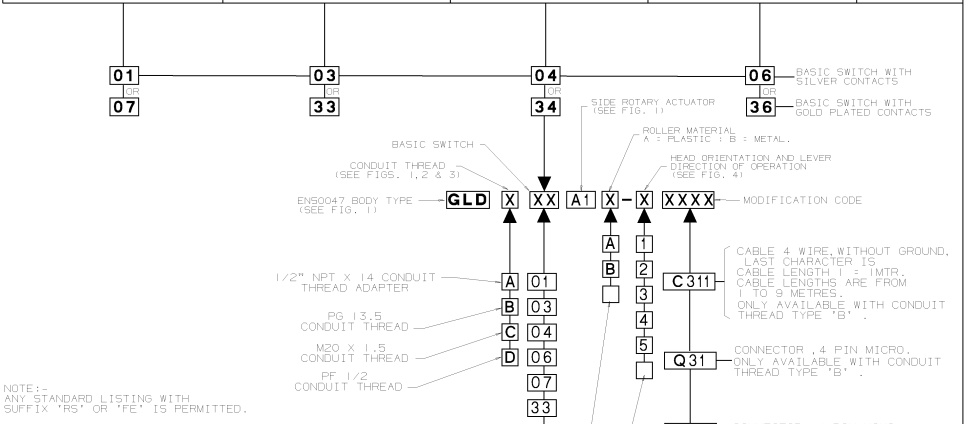
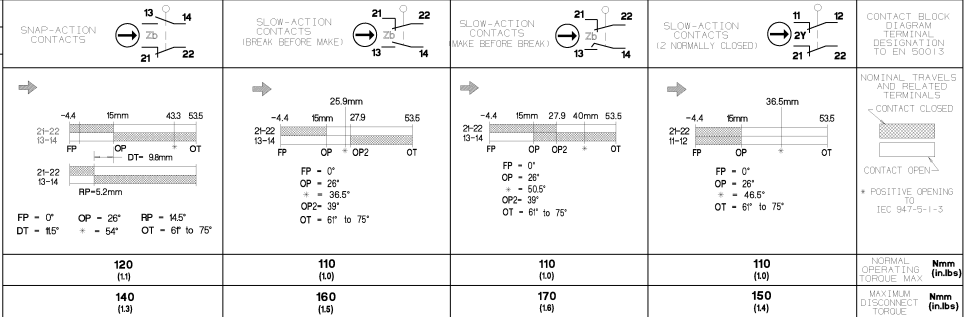
NOTES:-

- MICRO SWITCH BLUE GLASS FILLED POLYESTER HOUSING & COVER, BLACK GLASS FILLED POLYAMIDE HEAD.
- ENCLOSURE DOUBLE INSULATED TO IEC 539 CLASS 11.
- MINIMUM OPERATING VELOCITY (V_{min}) = 2.0 MM/S (THESE LIMITS APPLY TO CAM MAXIMUM OPERATING VELOCITY (V_{max}) = 200 MM/S OPERATION AS SHOWN IN THE ABOVE DIAGRAMS ONLY)
- MAXIMUM OPERATING FREQUENCY (IF_{max}) = 250 OPS/MIN
- FREE POSITION (FP), OPERATING POINT (OP), OVERTRAVEL (OT) AND PRETRAVEL (PT) ALL TO EN50047.

△ MAXIMUM TIGHTENING TORQUE FOR FIXING SCREW = 0.5Nm (4.41in.LB)

NO CHANGES CAN BE MADE TO THIS DRAWING WITHOUT JOINT HEADQUARTERS/APPROVAL

IEC 947-5-1 ELECTRICAL RATING				ENVIRONMENTAL		APPROVALS
SILVER CONTACTS		GOLD PLATED CONTACTS				
AC	DC	AC	DC	IP66	NEMA 1, 4, 12, 13	UL
110V 1A	250V 0.5A	110V 1A	250V 0.5A	TEMP RANGE	-25°C TO 95°C	IEC 947-5-1
120V 0.5A	250V 0.25A	120V 0.5A	250V 0.25A	STORAGE	-15°F TO 165°F	EN50047
120V 0.5A	250V 0.25A	120V 0.5A	250V 0.25A	SHOCK	+40°C TO 95°C	
120V 0.5A	250V 0.25A	120V 0.5A	250V 0.25A	STORAGE	-40°F TO 165°F	
120V 0.5A	250V 0.25A	120V 0.5A	250V 0.25A	VIBRATION	10G PER IEC 68-2-27	
120V 0.5A	250V 0.25A	120V 0.5A	250V 0.25A	VIBRATION	10G PER IEC 68-2-6	



NOTE: FOR CONNECTION DIAGRAMS AND ADDITIONAL ELECTRICAL, ENVIRONMENTAL & DIMENSIONAL INFORMATION SEE DRAWING GL-4922.